

Serie | 8 Microwave oven

Compact oven with microwave CMG633BS1B brushed steel



The compact oven with microwave function: enables you to achieve perfect baking and roasting results very quickly.

- **The compact oven with microwave function:** enables you to achieve perfect baking and roasting results very quickly.
- **AutoPilot 14:** every dish is a perfect success thanks to 14 pre-set automatic programmes.
- **TFT display control:** easy-to-use thanks to the control ring with full text and symbols.
- **LED lighting:** perfect illumination of foods with minimum energy consumption.
- **Flap door with SoftOpen and SoftClose:** the oven door opens and closes especially gently and quietly.

Technical Data

Type of micro-wave oven :	MW-Combi
Type of control :	Electronic
Color / Material Front :	Stainless steel
Dimensions of the product (mm) :	455 x 594 x 548
Cavity dimensions (mm) :	237.0 x 480 x 392.0
Length of electrical supply cord (cm) :	150
Net weight (kg) :	35.0
Gross weight (kg) :	37.0
Maximum micro-wave power (W) :	900
Number of Power Levels (Stck) :	5
Turntable :	No
Heating type :	4D hot air, Combi microwave constant, Full width grill, Half width grill, Hot Air-Eco, Hot air grilling, Microwave, pre-heating
Cavity material :	Enamelled steel
Door opening :	Handle
Clock :	Yes
Included accessories :	1 x combination grid, 1 x universal pan
Main colour of product :	Stainless steel
Height of the product (mm) :	455
Width of the product (mm) :	594
Depth of the product :	548
Maximum micro-wave power (W) :	900
Connection rating (W) :	3600
Current (A) :	16
Voltage (V) :	220-240
Frequency (Hz) :	60; 50
Plug type :	no plug
Color / Material Front :	Stainless steel
Approval certificates :	CE, VDE
Required cutout/niche size for installation (in) :	x x
Appliance Dimensions (h x w x d) (in) :	x x
Dimensions of the packed product (in) :	21.25 x 25.59 x 26.77
Net weight (lbs) :	76
Gross weight (lbs) :	81

Included accessories

1 x combination grid
1 x universal pan



4 242002 807409

Optional accessories

HEZ324000 Inlaid wire shelf for multipurpose pan, HEZ327000 Pizza stone, HEZ617000 Pizza pan, anthracite enamelled, HEZ625071 Grill tray, anthracite enamelled, HEZ631070 Baking tray, anthracite enamelled, HEZ632070 Multipurpose pan, anthracite enamelled, HEZ633070 Professional pan, anthracite enamelled, HEZ634080 Baking and roasting grid (microwave), HEZ636000 Glass pan, HEZ660050 Cover Strip, HEZ660060 Strip, HEZ6ACC0 Cookbook, HEZ915003 Glass roasting dish, 5,4

Serie | 8 Microwave oven

Compact oven with microwave CMG633BS1B brushed steel

The compact oven with microwave function: enables you to achieve perfect baking and roasting results very quickly.

Key features

- 2.5"-TFT colour and text display with direct select buttons
- Supporting systems: Auto cook programmes
- Digital temperature display with proposal
Actual temperature display
Heating-up indicator
automatic programmes

Design

- Stainless steel control wheel
- Drop down door, SoftClose, SoftOpen
- Straight bar handle with steel handle fixing blocks

Features

- Electronic clock timer
- Info button
- LED light
- Cavity inner surface: Enamel anthracite
- Integral cooling fan
- Stainless-steel fan
- 3 shelf positions
- Microwave top door
- Control panel lock
Automatic safety switch off
Residual heat indicator
Start button
Door contact switch

Programmes/functions

- Compact oven with microwave with 6 heating methods:
4D Hotair, Hotair Eco, Hotair grilling, full width variable grill,
half width grill, plate warming
- Additional heating methods with microwave: Microwave,
Combi microwave constant
- Fast heat

Performance/technical information

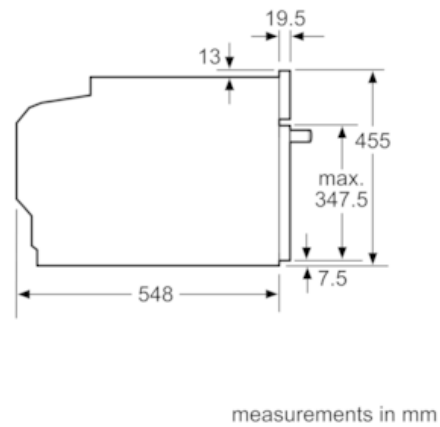
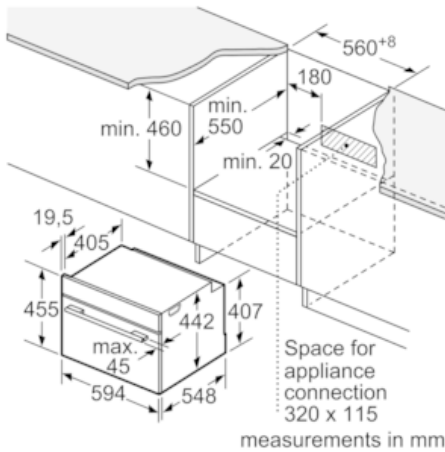
- Cavity volume: 45 litre capacity
- Microwave inverter technology
- Stirrer fan distribution
- Max. Power: 900 W; 5 Microwave power settings (90 W,180 W,360 W,600 W,900 W) with Inverter (MW)
- Length of mains cable: 150 cm
- Total connected load electric: 3.6 KW
- Appliance dimension (hxwx): 455 mm x 594 mm x 548 mm
- Niche dimension (hxwx): 450 mm - 455 mm x 560 mm - 568 mm x 550 mm
- Maximum window temperature 40° C
- Please reference the built-in dimensions provided in the installation drawing
- Energy efficiency rating (acc. EU Nr. 65/2014):
Number of cavities: 1
Heat source: electrical
Cavity volume: 45 litre capacity

Standard accessories

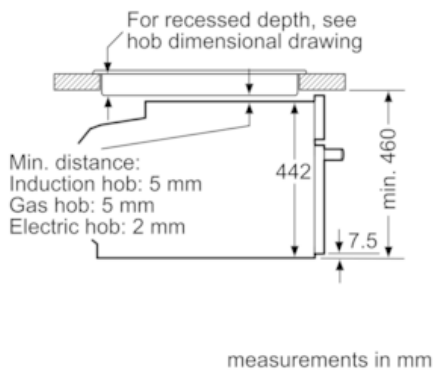
- Cavity with shelf support rails, Telescopic slide-out Not available
- 1 x combination grid, 1 x universal pan

Serie | 8 Microwave oven

Compact oven with microwave CMG633BS1B brushed steel



Installation with a hob.



If the compact appliance will be installed underneath a hob, the following worktop thicknesses (including substructure if necessary) must be taken into account.

Hob type	min. worktop thickness	
	fitted	flush
Induction hob	42 mm	43 mm
Full surface induction hob	52 mm	53 mm
Gas hob	32 mm	39 mm
Electric hob	32 mm	35 mm

