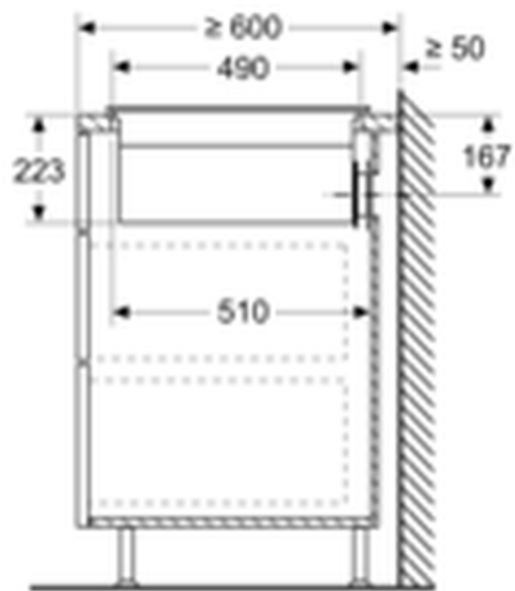
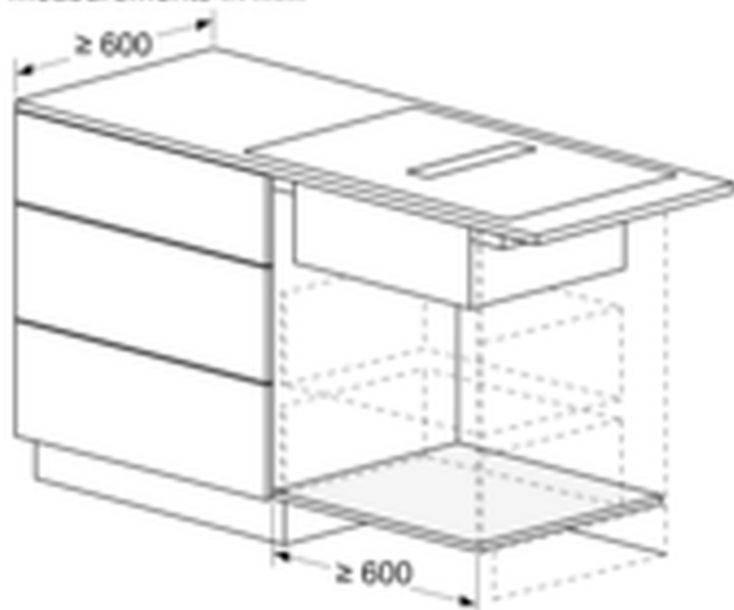
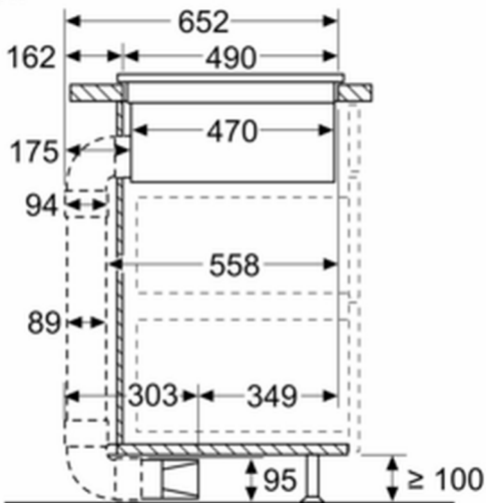


measurements in mm



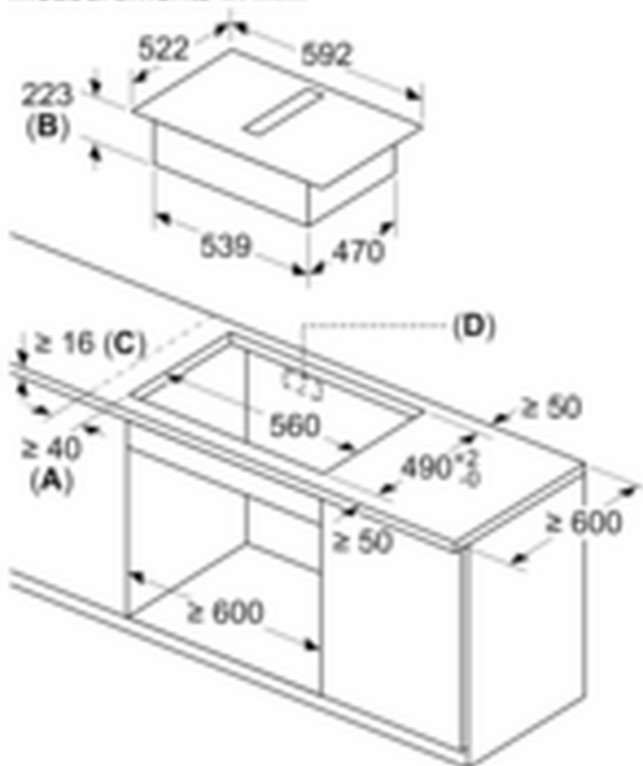
Measurements in mm

**Side view**



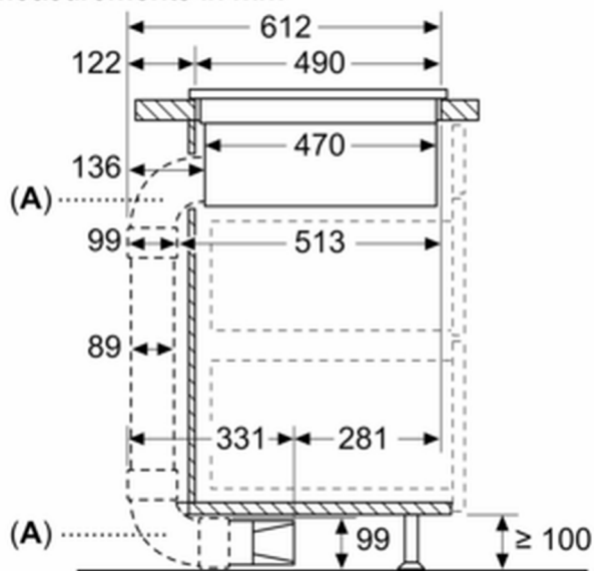
With 90° elbow connectors from third-party suppliers

measurements in mm



- A:** Minimum distance from the hob cut-out to the wall
- B:** Recessing depth
- C:** The worktop into which the hob is installed must withstand loads of approx. 60kg; suitable substructures must be used if required.
- D:** Cut-out in back panel required for pipework. Exact size and position can be taken from specific drawing.

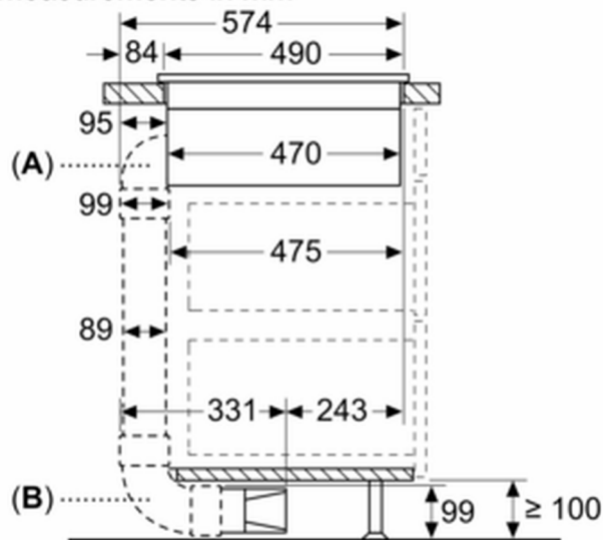
measurements in mm



A: With 90° "L" bow connectors



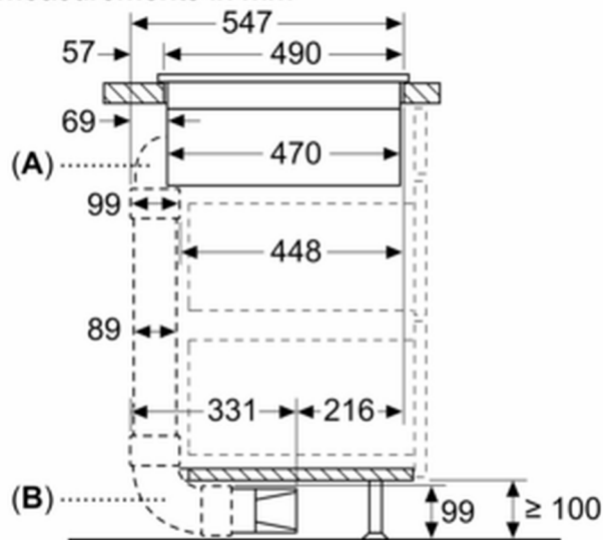
measurements in mm



A: With 90° "M" bow connector

B: With 90° "L" bow connector

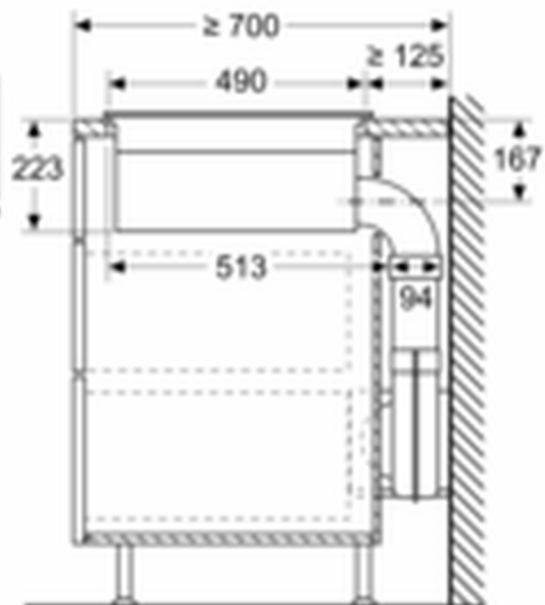
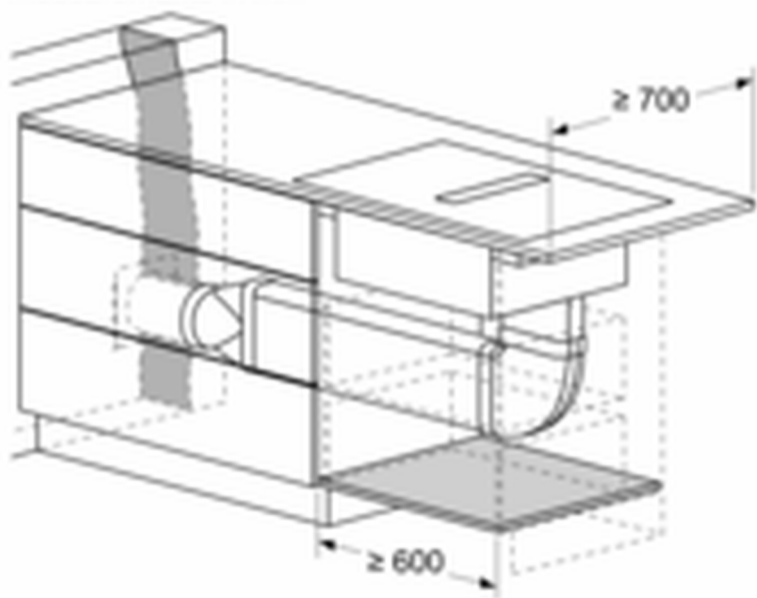
measurements in mm



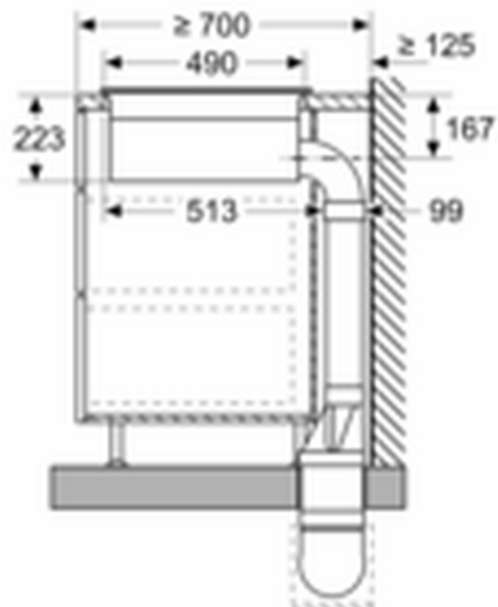
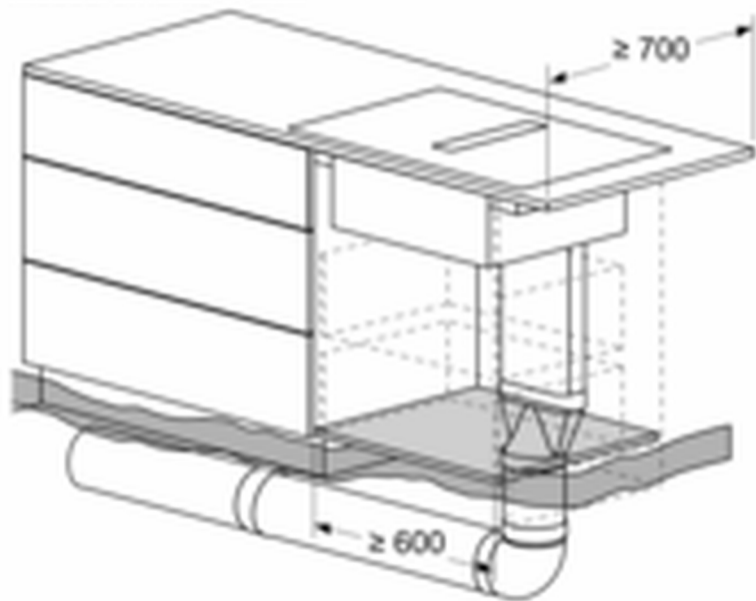
A: With 90° "S" bow connector

B: With 90° "L" bow connector

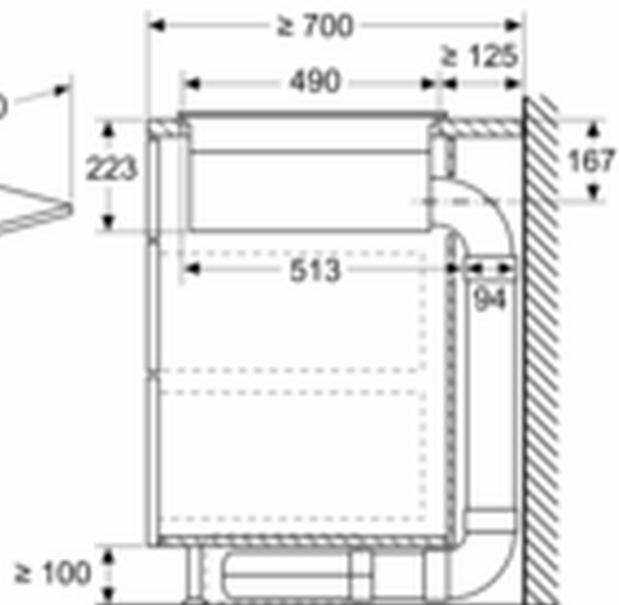
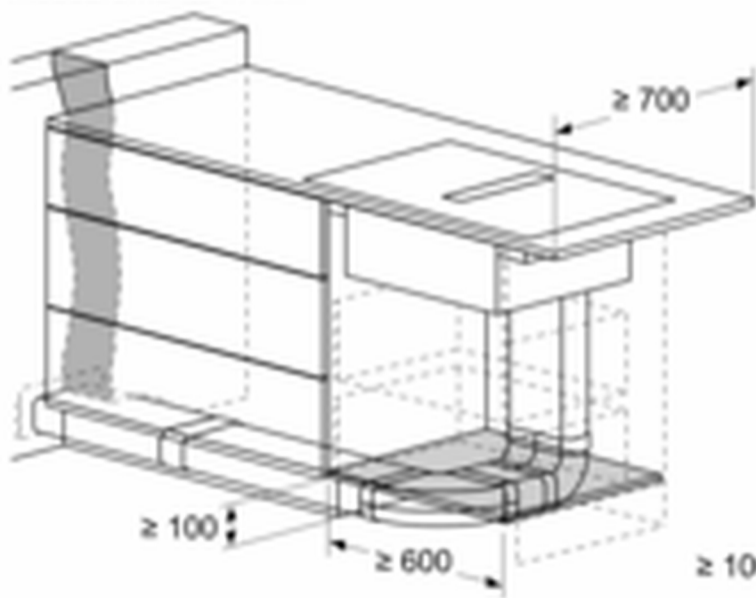
measurements in mm



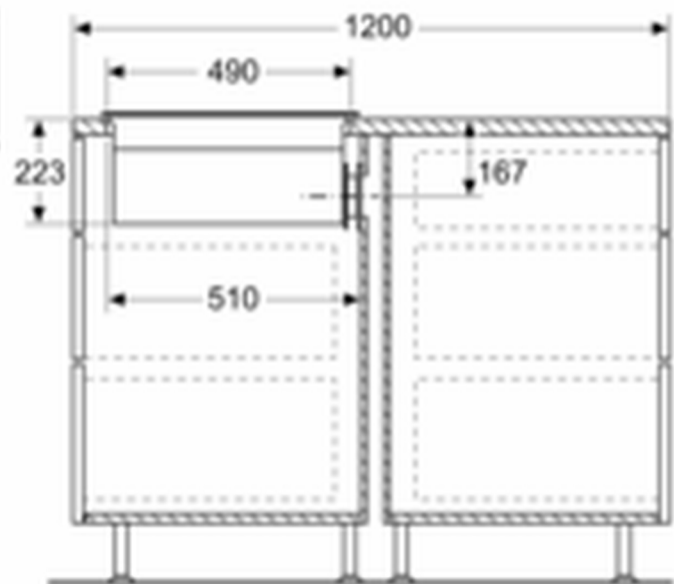
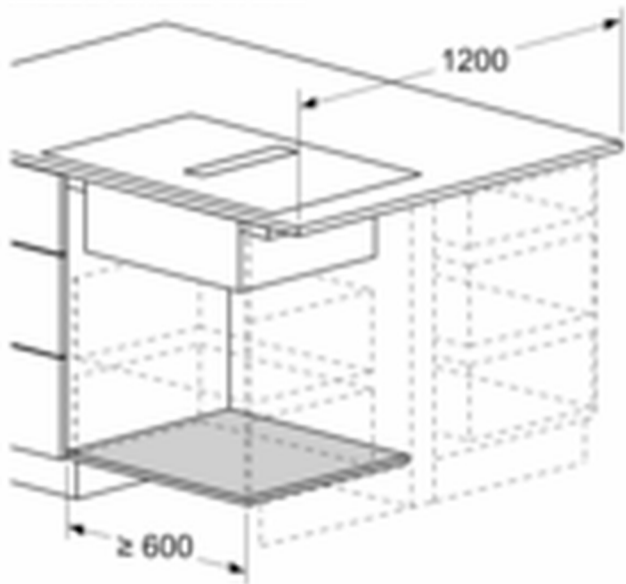
measurements in mm



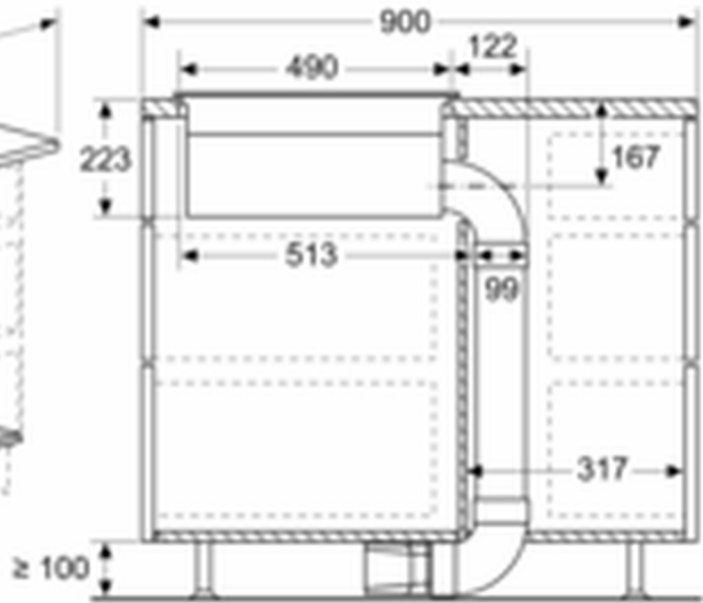
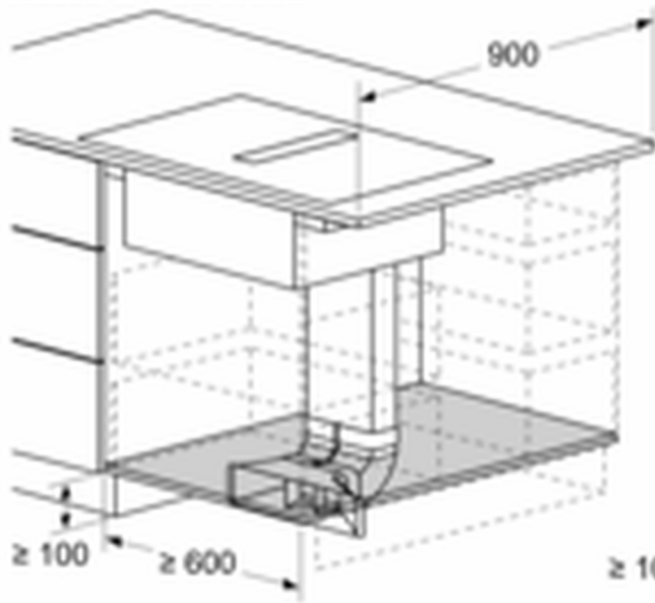
measurements in mm



measurements in mm

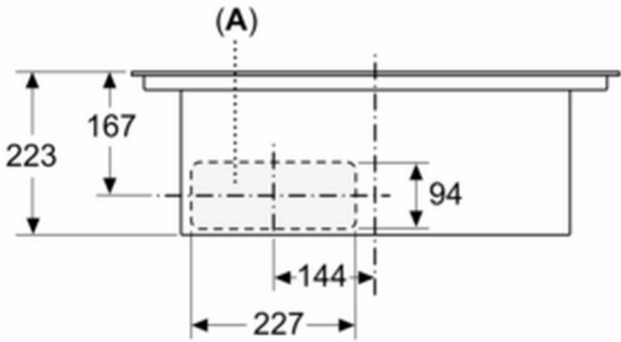


measurements in mm



measurements in mm

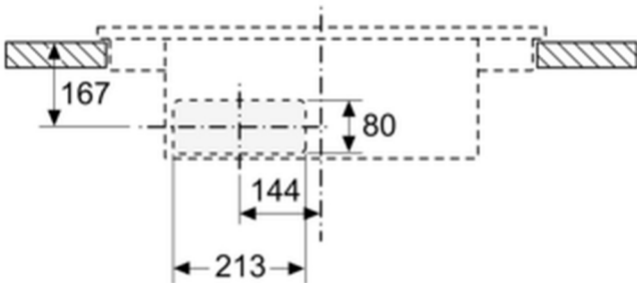
Front view



**A:** Connected directly at the rear

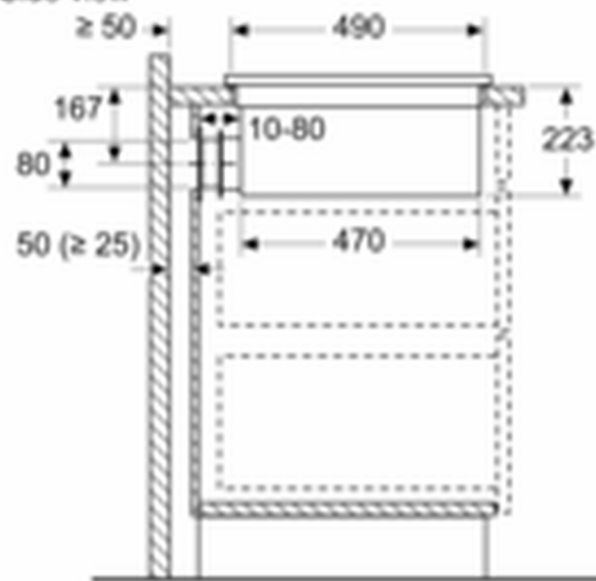


measurements in mm  
Front view - unit cut-out  
for unducted recirculation



measurements in mm

Side view



When installing directly against outer walls that are not insulated ( $\mu \geq 0.5 \text{ W/m}^2 \text{ } ^\circ\text{C}$ ), we recommend using partially or fully ducted recirculation configurations.

measurements in mm

Front view

