

W BASIN08 C

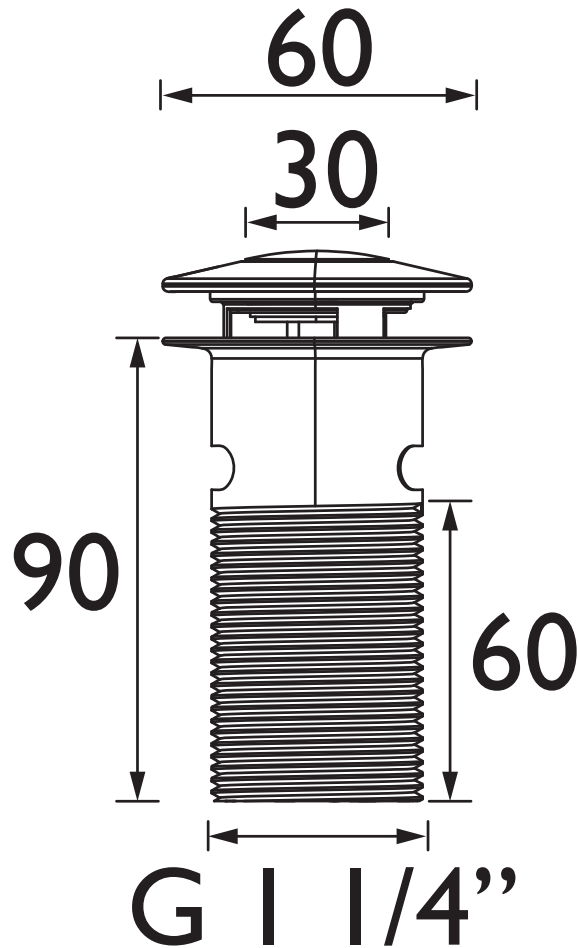
Wastes
Round Slotted Push Basin Waste Chrome



Specification

Contemporary or Traditional:	Contemporary
Main Construction Material:	Brass
Connection Inlet:	G1 1/4"
Waste Flow Rate (litres per minute):	27
What's in the Box?:	1x Slotted Waste Body, 1x Clicker Mechanism, 2x Rubber Washers, 1x Metal Backnut

Dimensions (measurements in mm)



Features:

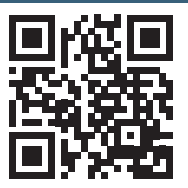
- Solid brass construction
- Metal back nut for added durability

Product Certifications:

Variant SKUs:

- W BASIN09 C
- W BASIN10 C

For more products, visit our website:
<http://www.bristan.com>



TECHNICAL
DATA
SHEET



BRISTAN

D4