

CR SHXDIVFF C

CARRE Shower Range Carre Exposed Fixed Head Bar Shower with Diverter & Kit



Features:

- Supplied with our wallmount 12 fixing kit. The simplest solution for installing, maintaining and replacing bar showers, using built in front-of-wall isolation valves
- Thermostatic cartridge with preset temperature stop at 38°C, can be over-ridden to a maximum of 46°C
- Automatic shut-off in the event of hot or cold water supply failure
- Telescopic rigid riser for adjustable height
- Integral diverter to shower handset

Product Certifications:



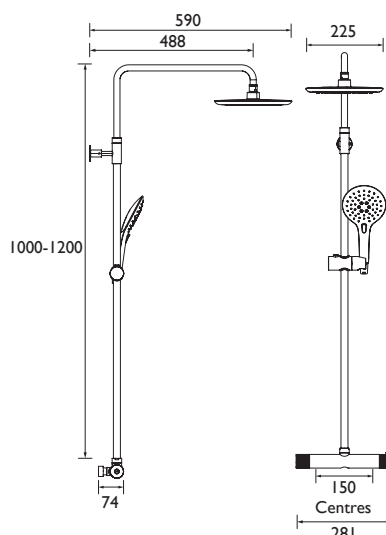
WRAS Certificate No: 1503001
WRAS Expiry Date: 31/03/2020



Specification

Finish/Colour:	Chrome Plated
Main Construction Material:	Brass
No of Controls:	2
Shower Type:	Bar Shower
Shower Head Type:	Both
Valve/Cartridge Type:	3/4" Ceramic Disc Valve - 1/4 turn
Maximum Hot Water Supply Temperature °C:	65
Maximum Static Pressure: (bar)	10
Plumbing System Suitability:	Suitable for all plumbing systems
Minimum Dynamic Pressure:	Min: 0.5 bar, Max: 5 bar
Connection Inlet:	15mm Compression
Connection Outlet:	G 1/2"
Isolation Valve Included:	Yes
Check Valve Included:	Yes

Dimensions (measurements in mm)



Flow Rates (l/min)

System Pressure (bar)	0.5	1	2	3	5
Through Handset (mixed)	5.7	8.7	12.8	15.9	20.8
Through Fixed Head (mixed)	3.9	5.7	8.2	10	12.9

For more products, visit our website:

<http://www.bristan.com>



TECHNICAL DATA SHEET



BRISTAN

D11