

**Serie | 4, Built-in oven, 60 x 60 cm,  
Black  
HBS573BB0B**

**A**



**Included accessories**

2 x combination grid  
1 x universal pan  
2 x Universal pan  
slim size

**Optional accessories**

HEZ317000 , HEZ327000 Pizza stone, HEZ333001 , HEZ530000  
Half tray, HEZ531000 Baking tray, grey enamelled, HEZ531010  
Baking tray, non-stick ceramic coated, HEZ532000 , HEZ532010 ,  
HEZ533000 , HEZ538000 1fold telescopic rail, level independent,  
HEZ538200 , HEZ538S00 , HEZ625071 Grill tray, anthracite  
enamelled, HEZ633001 , HEZ633070 , HEZ634000 Baking and  
roasting grid (standard), HEZ636000 Glass pan, HEZ638200 ,  
HEZ638300 3 level telescopic rails, full ext, HEZ660050 Cover  
Strip, HEZ915003 Glass roasting dish, 5,4 L, HEZG0AS00

**The built-in oven with AutoPilot:  
automatically prepares perfect dishes.**

- **3D Hotair:** even heat distribution for perfect results on up to three levels.
- **AutoPilot 10:** every dish is a perfect success thanks to 10 pre-set automatic programmes.
- **Red LED display control:** easy-to-use thanks to the time functions.
- **Pop-out controls:** Make the front of the oven easy to clean and give it a sleek look.
- **Pyrolytic self-cleaning:** effortless cleaning thanks to pyrolytic cleaning programmes

**Technical Data**

Color / Material Front : Black  
Construction type : Built-in  
Integrated Cleaning system : Pyrolytic  
Required niche size for installation (HxWxD) : 585-595 x 560-568 x 550 mm  
Dimensions : 595 x 594 x 548 mm  
Dimensions of the packed product (HxWxD) : 675 x 690 x 670 mm  
Control Panel Material : Glass  
Door Material : Glass  
Net weight : 38.895 kg  
Usable volume of cavity : 71 l  
Cooking method : Conventional heat, Full width grill, Hot Air, Hotair gentle, Hot air grilling  
First cavity material : Other  
Number of interior lights : 1  
Approval certificates : CE, VDE  
Length of electrical supply cord : 120 cm  
Interior Lights - cavity 1 : 1  
Ease of access : Accessory  
Clock function : Alarm, Off, On  
Included accessories : 2 x combination grid, 1 x universal pan, 2 x Universal pan, slim size  
Broil Element Wattages cavity 1 : 2800 W  
Convection Element Wattages cavity 1 : 1600 W  
Energy efficiency rating : A  
Energy consumption per cycle conventional (2010/30/EC) : 0.99 kWh/cycle  
Energy consumption per cycle forced air convection (2010/30/EC) : 0.81 kWh/cycle  
Energy efficiency index (2010/30/EC) : 95.3 %  
Connection rating : 2990 W  
Fuse protection : 13 A  
Voltage : 220-240 V  
Frequency : 50; 60 Hz  
Plug type : no plug  
Color / Material Front : Black  
Energy input : Electric  
Approval certificates : CE, VDE  
Required cutout/niche size for installation (in) : x x  
Dimensions of the packed product : 26.57 x 26.37 x 27.16  
Net weight : 86.000 lbs  
Gross weight : 91.000 lbs  
Length of electrical supply cord : 120 cm  
Net weight : 38.895 kg  
Gross weight : 41.1 kg



## Serie | 4, Built-in oven, 60 x 60 cm, Black HBS573BB0B

**The built-in oven with AutoPilot:  
automatically prepares perfect dishes.**

### Design

- LED-display control (red)
- Rotary dial, Retractable control dials, round
- 5 shelf positions
- Straight bar handle

### Features

- Electronic clock timer
- Heating-up indicator  
AutoPilot  
Automatic start
- Electronic door lock  
Control panel lock  
Automatic safety switch off
- AutoPilot, 10
- Automatic programmes
- Interior halogen light, Light on/off when oven door opened/  
closed
- Integral cooling fan

### Cleaning

- Pyrolytic self-cleaning function
- Full glass inner door

### Programmes/functions

- Oven with 5 cooking functions: heating methods: 3D Hotair,  
conventional top and bottom heat, Hotair grilling, full width  
variable grill, Hotair gentle
- Fast pre-heating function
- Temperature range 50 °C - 275 °C

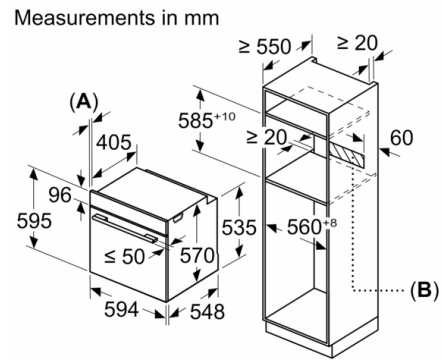
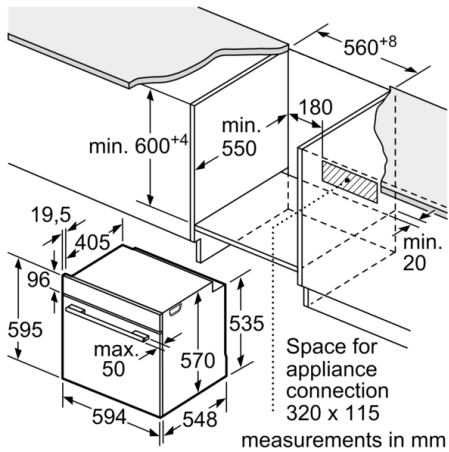
### Accessories

- 2 x combination grid, 1 x universal pan, 2 x Universal pan, slim  
size

### Technical information

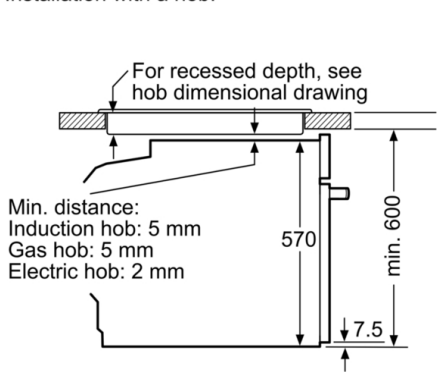
- Energy efficiency rating (acc. EU Nr. 65/2014): A  
Energy consumption per cycle in conventional mode: 0.99  
kWh  
Energy consumption per cycle in fan-forced convection mode:  
0.81 kWh  
Number of cavities: Main cavity  
Heat source: electrical  
Cavity volume: 71 litre capacity
- Total connected load electric: 2.99 KW
- 120 cm Cable length
- Nominal voltage: 220 - 240 V
- Appliance dimension (hxwxh): 595 mm x 594 mm x 548 mm
- Niche dimension (hxwxh): 585 mm - 595 mm x 560 mm - 568  
mm x 550 mm
- Please refer to the dimensions provided in the installation  
manual

**Serie | 4, Built-in oven, 60 x 60 cm, Black  
HBS573BB0B**

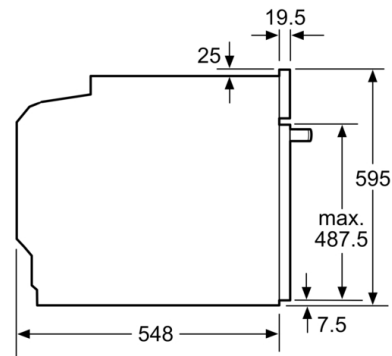


**A:** 19.5 mm  
**B:** Space for appliance connection 320 x 115 mm

Installation with a hob.



measurements in mm



measurements in mm