

**Series 2, wall-mounted cooker hood,  
60 cm, clear glass black printed  
DWK65DK60B**



**The Inclined Hood with Touch Select Basic Control and a low noise motor for an odor and noise free kitchen.**

- **Low noise motor:** enjoy a peaceful cooking experience with maximal extractor performance and minimal noise.
- **Intensive speed setting with reset:** automatically resets the hood to normal speed setting
- **Touch Select Basic Control:** quickly select hood settings via touch control.
- **Filter saturation:** automatic reminders to clean and replace your filters
- **Easy-to-clean interior:** the large opening angle and smooth surface enable quick cleaning and easy filter replacement.

---

**Technical Data**

Typology : Wall-mounted

Length electrical supply cord : 150.0 cm

Height of the appliance : 375 mm

Minimum distance above an electric hob : 450 mm

Minimum distance above a gas hob : 650 mm

Net weight : 11.0 kg

Type of control : Electronic

Maximum output air extraction : 430 m<sup>3</sup>/h

Boost position output recirculating : 550.0 m<sup>3</sup>/h

Maximum output recirculating air : 445 m<sup>3</sup>/h

Boost position air extraction : 550 m<sup>3</sup>/h

Number of lights : 2

Noise level : 60 dB(A) re 1 pW

Diameter of air outlet : 150 mm

Grease filter material : Washable aluminium

EAN code : 4242005395934

Fuse protection : 4 A

Voltage : 220-240 V

Frequency : 50 Hz

Plug type : GB plug

---



4 242005 395934

## Series 2, wall-mounted cooker hood, 60 cm, clear glass black printed DWK65DK60B

### The Inclined Hood with Touch Select Basic Control and a low noise motor for an odor and noise free kitchen.

#### Design:

- Inclined design
- wall-mounted
- Glass plate: clear glass black printed
- Suitable for ducted or re-circulated extraction
- For recirculated extraction standard recirculation kit (accessory) needed

#### Core Features:

- Capacitor motor
- 2 x 3W led light
- Colour Temperature: 4000 K
- Light Intensity: 127 lux
- 1 metal grease filter(s).

#### Comfort Features:

- Electronic control via Touch Select Basic Control, backlighted
- 3 speeds plus intensive setting
- Automatic reset from intensive to normal setting after 5 min.
- Saturation indicator for grease filter and odor filter

#### Cleaning Comfort:

- Large opening angle of the glass plate with locking function for an easy filter accessibility and easy cleaning.
- Easy to clean smooth surfaces and materials.
- Metal grease filter dishwasher-safe

#### Performance Exhaust:

- According to EN 61591 and EN/ IEC 60704-2-13 your appliance can achieve the following values in exhaust mode:  
Speed 1: extraction rate 220 m<sup>3</sup>/h; noise level 46 dB(A) re1pW  
Speed 2: extraction rate 315 m<sup>3</sup>/h; noise level 53 dB(A) re1pW  
Speed 3: extraction rate 430 m<sup>3</sup>/h; noise level 60 dB(A) re1pW  
Intensive Speed 1: extraction rate 550 m<sup>3</sup>/h; noise level 65 dB (A) re1pW
- Energy Efficiency Class: A (at a range of energy efficiency classes from A+++ to D)
- Average Energy Consumption: 43.8 kWh/year
- Blower Efficiency Class: A
- Lighting Efficiency Class: A
- Grease Filtering Efficiency Class: E

#### Performance Recirculation:

- According to EN 61591 and EN/ IEC 60704-2-13 your appliance can achieve the following values in recirculation mode with standard recirculation kit (available as optional accessory):  
Speed 1: extraction rate 215 m<sup>3</sup>/h; noise level 51 dB(A) re1pW  
Speed 2: extraction rate 300 m<sup>3</sup>/h; noise level 61 dB(A) re1pW  
Speed 3: extraction rate 445 m<sup>3</sup>/h ; noise level 69 dB(A) re1pW  
Intensive Speed 1: extraction rate 550 m<sup>3</sup>/h; noise level 72 dB (A) re1pW

#### Technical Information and Sustainability:

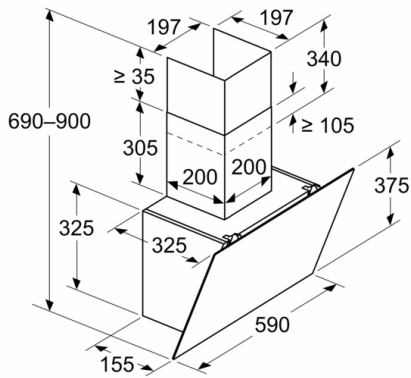
- Consumption data:
- Power rating: 223 W
- Voltage: 220 - 240 V

#### Planning and Installation Information:

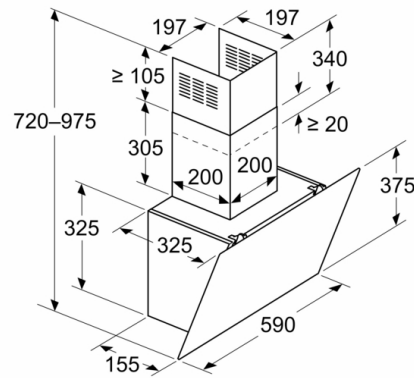
- Dimensions exhaust air (HxWxD): 690 mm -900 mm x 590 mm x 325 mm
- Dimensions recirculating installation (HxWxD): 720 mm -975 mm x 590 mm x 325 mm
- Diameter pipe Ø 150 mm
- Electrical cable length 1.5 m
- with one-way flap

**Series 2, wall-mounted cooker hood, 60 cm,  
clear glass black printed  
DWK65DK60B**

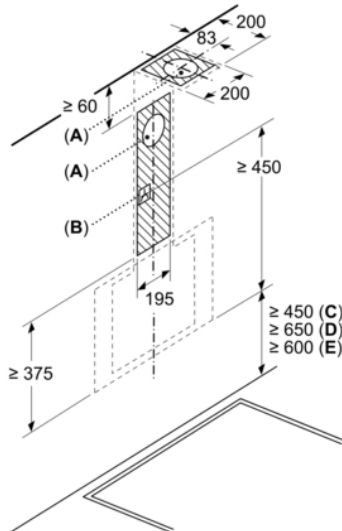
Measurements in mm  
Appliance in exhaust air mode



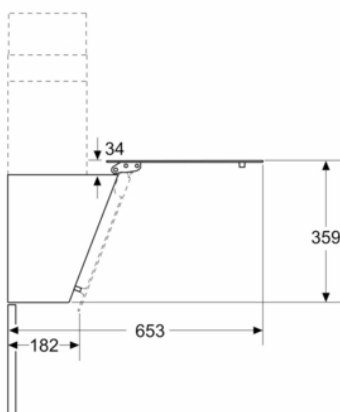
Measurements in mm  
Appliance in circulated air mode



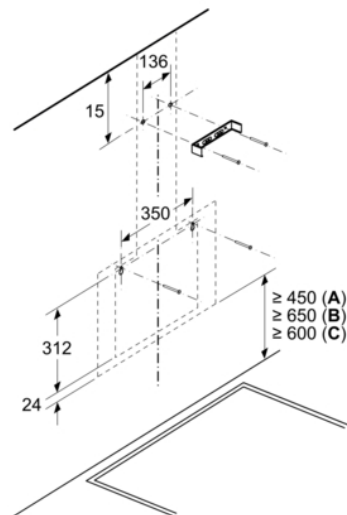
Measurements in mm



Measurements in mm



Measurements in mm  
Wall installation with chimney



A: Electric

B: Gas - from upper edge of pan support

C: Electric - for Australia and New Zealand