

# DOCM-S G

# COMMERCIAL Shower Range

## DOCM Shower Pack with Grey accessories



### Features:

- Corrosion resistant aluminium accessories
- Vandal resistant design
- TMV3 exposed OPAC shrouded shower valve included
- Diverter between shower head and handset
- Matching Doc-M accessories available

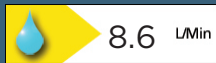
### Product Certifications:



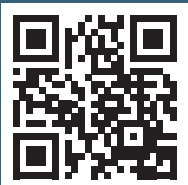
WRAS Certificate No: 1812703  
WRAS Expiry Date: 30/12/2023



TMV3 Cert No: NSF2014/0718  
TMV3 Expiry Date: 06/07/2023



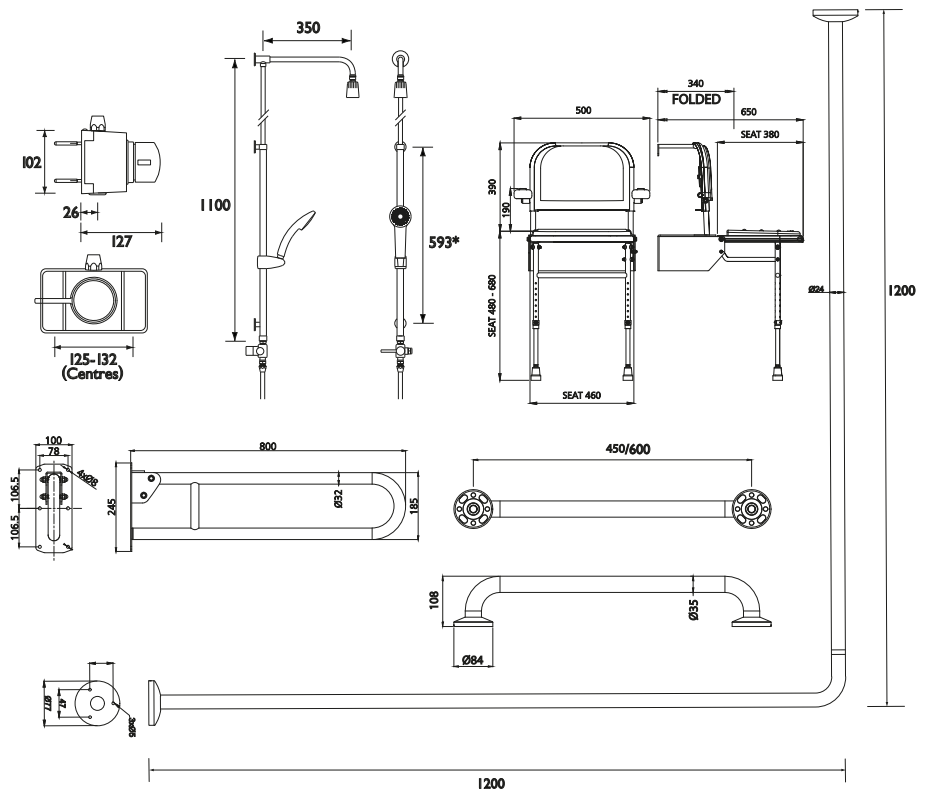
For more products, visit our website:  
<http://www.bristan.com>



### Specification

Style:	Contemporary
Finish/Colour:	Grey
Main Construction Material:	Brass; Aluminium; ABS
No of Controls:	2
Shower Type:	Exposed with Shroud
Shower Head Type:	Adjustable
Valve/Cartridge Type:	Thermostatic Cartridge
Maximum Hot Water Supply Temperature °C:	65
Maximum Static Pressure: (bar)	10
Plumbing System Suitability:	Suitable for all plumbing systems
Working Pressure Range:	Min: 0.2 bar, Max: 5 bar
Connection Inlet:	15mm Compression
Connection Outlet:	1/2" BSP
Isolation Valve Included:	No
Check Valve Included:	Yes

### Dimensions (measurements in mm)



### Flow Rates (l/min)

System Pressure (bar)	0.2	0.5	1	2	3	5
DOCM-S G	4.6	6.8	7.1	8.1	8.6	9

## TECHNICAL DATA SHEET



# BRISTAN

TAPS & SHOWERS