

N 70, Built-in fridge, 177.5 x 56 cm, flat hinge
KI1813FEOG



The Built-In fridge keeps food fresher for longer and offers lots of extra space for bottles and all kinds of groceries.

- ✓ Fresh Safe 2 <0°C> – Ideal storage for fruit and vegetables, fish and meat.
- ✓ Fresh Safe – Fridge drawer for flexible storage of your fresh fruit and vegetables.
- ✓ Easy Access Shelf – Slides out to give you better access to fridge contents.
- ✓ VarioShelf: The glass shelf can be divided and one half pushed beneath the other, for flexible interior configurations.
- ✓ Adjustable Glass Shelves – Height adjustable shelves create the space you need for inspiring dishes in your fridge

Features

Technical Data

Energy Efficiency Class : E
 Average annual energy consumption in kilowatt hour per year (kWh/a) : 115 kWh/annum
 Sum of volume of frozen compartments : 0 l
 Sum of volume of chill compartments : 319 l
 Airborne acoustical noise emissions : 37 dB(A) re 1 pW
 Airborne acoustical noise emission class : C
 Construction type : Built-in
 Number of compressors : 1
 Number of independent cooling systems : 1
 Width of the appliance : 558 mm
 Height : 1772 mm
 Depth of the product : 545 mm
 Net weight : 61.342 kg
 Required niche size for installation (HxWxD) : 1775.0 x 560 x 550 mm
 Door panel options : Not possible
 Door hinge : Right reversible
 Number of Adjustable Shelves in fridge compartment (Stck) : 5
 Shelves for Bottles : No
 Frost free system : No
 Interior ventilator : Yes
 Reversible Door Hinge : Yes
 Length of electrical supply cord : 230 cm
 Noise level : 37 dB(A) re 1 pW
 Multi-Flow Air Tower : No
 Economy setting : No
 Cold technology : 1 compressor/1 cold circuit
 Fast cooling switch : Yes
 Temperature Controlled Drawer : No
 Humidity Control Drawer : Yes
 Number of Door Bins - Refrigerator : 5
 Door bin adjustability - Refrigerator : No
 Tilt-out door bins in fridge : Yes
 Gallon Storage : Yes
 Number of Gallon storage : 2
 No. of shelves in fridge : 7
 Motorized Shelf : No
 Material of the shelves : Glass, plastic
 Door opened indicator freezer : Yes
 Connection rating : 90 W
 Fuse protection : 13 A
 Voltage : 220-240 V
 Frequency : 50 Hz
 Approval certificates : CE, G-Mark, VDE
 Main colour of product : N/A
 Door panel options : Not possible
 Installation type : Full-integrated
 Noise level : 37 dB(A) re 1 pW
 Energy Star Qualified : No
 Plug type : GB plug

Optional accessories

Z10020 Bottle Rack

Features

Design features

- Automatic defrost fridge
- Touchcontrol- Electronic - LED Electronic control
- Right hinged door, reversible

Freshness System

- FreshSense - constant temperature by intelligent sensor technology - Constant temperature control by intelligent sensor technology

Key features - Fridge section

- 1 FreshSafe 2 drawer on telescopic rails; High humidity retains nutrients up to twice as long.
- 1 FreshSafe drawer on rails - The ideal place to store your fruit and vegetables safely.
- Bright interior LED fridge light
- Super Cooling: automatic deactivation
- 7 safety glass shelves (5 height adjustable)
- 6 door trays, including 1x dairy compartment
- BottleFlex Shelf
- bottle holder in door tray

Functions

- Acoustic door open warning indicator

Dimension and installation

- Easy Installation
- Connection value 90 W
- Dimensions: 177.2 cm H x 55.8 cm W x 54.5 cm D
- Niche Dimensions: 177.5 cm H x 56 cm W x 55 cm D
- Based on the results of the standard 24-hour test. Actual consumption depends on usage/position of the appliance.

Performance and Consumption

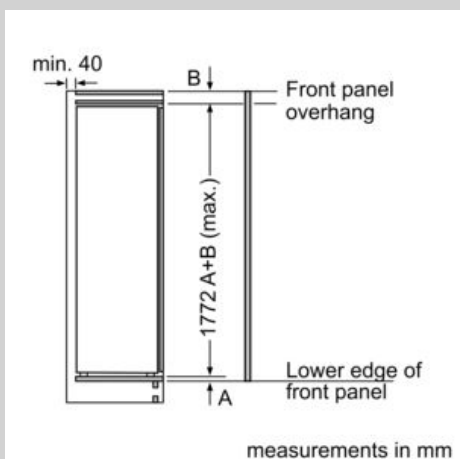
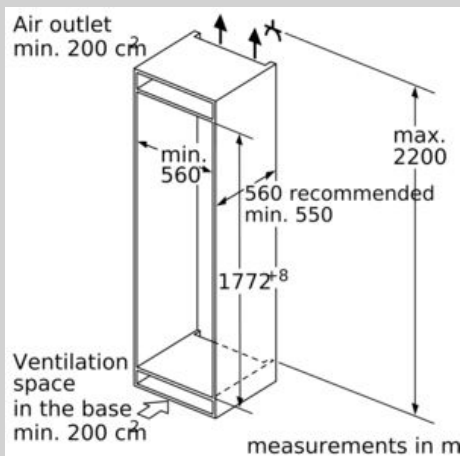
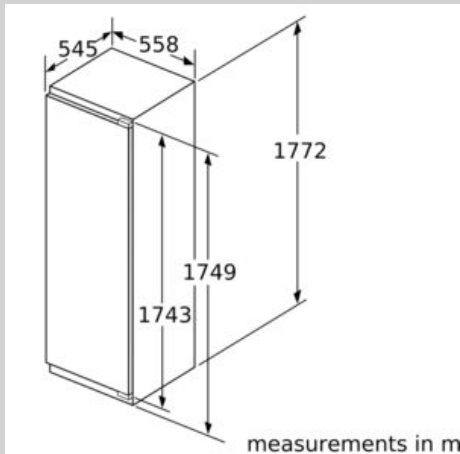
- EU19_EEK_D: E
- Total Volume : 319 l
- Net Fridge Volume : 319 l
- Net Freezer Volume : 0 l
- Annual Energy Consumption: 115 kWh/a
- Climate Class: SN-ST
- Noise Level : 37 dB , EU19_Noise emission class_D: C

N 70, Built-in fridge, 177.5 x 56 cm, flat hinge
KI1813FE0G



COOKING PASSION SINCE 1877

Dimensioned drawings



Maximal permissible weight of the unit fronts

Fitted kitchen unit doors that exceed the permissible weight may cause damage and result in functional impairment of the hinges.

| | | |
|--------------------------------------|-----------------|---------------|
| T: Includes height of appliance door | undamped hinge, | damped hinge, |
| Hinges in mm: | Door in kg: | Door in kg: |
| 1500-1750 | 22 | 22 |

measurements in mm
Recommended gap dimensions for flat hinges

| F | R | X |
|-------|-----|-----|
| 16-19 | 0-3 | 2.5 |
| 20 | 0-1 | 3 |
| | 2-3 | 2.5 |
| 21 | 0-1 | 3 |
| | 2-3 | 2.5 |
| 22 | 0 | 4 |
| | 1 | 3.5 |
| | 2-3 | 3 |

The gap dimensions recommended in the table must be adhered to in order to ensure that appliance doors do not collide with anything when they are opened, and to avoid causing damage to kitchen units.

Maximal permissible weight of the unit fronts

Fitted unit fronts that exceed the permissible weight may cause damage and result in functional impairment of the hinges.

Δ Weight
A: Appliance door height including hinges in mm
B: Undamped hinge, unit front in kg
C: Damped hinge, unit front in kg

| A | B | C |
|-----------|----|----|
| 1500-1750 | 22 | 22 |
| 720-1400 | 19 | 19 |
| A1 | 15 | 19 |
| A2 | 15 | 19 |

N 70, Built-in fridge, 177.5 x 56 cm, flat hinge
KI1813FE0G

Dimensioned drawings

