

SM BSM C

SMILE Tap Range Smile Bath Shower Mixer Chrome



Features:

- Long life and easy to use 1/4 turn ceramic disc valves
- Metal back nuts for added durability
- Includes 1.75m hose, rub-clean anti-limescale handset and wall bracket
- Self cancelling diverter

Product Certifications:



WRAS Certificate No: 1606010
WRAS Expiry Date: 30/06/2021



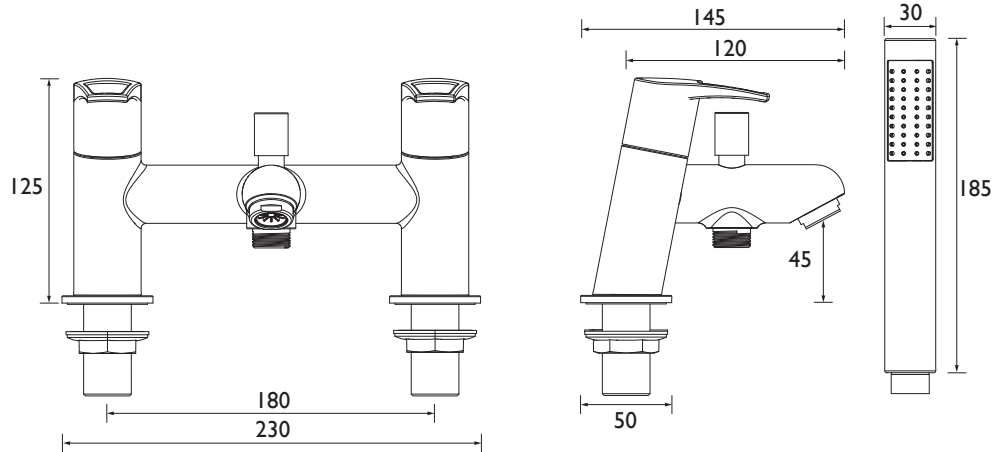
For more products, visit our website:
<http://www.bristan.com>



Specification

| | |
|--|---|
| Product Type: | Bathroom Taps |
| Main Construction Material: | Brass |
| Mount Type: | Deck |
| Handle Type: | Square |
| Connection Inlet: | 3/4" BSP |
| Connection Outlet: | G 1/2" |
| Number of Tap Holes: | 2 |
| Valve/Cartridge Type: | 3/4" Ceramic Disc Valve - 1/4 turn |
| Plumbing System Requirements: | Suitable for all plumbing systems, ideally balanced |
| Minimum Dynamic Pressure (bar): | 0.2 bar |
| Maximum Dynamic Pressure (bar): | 5 bar |
| Maximum Hot Water Temperature °C: | 65°C |
| Maximum Static Pressure (bar): | 10 bar |
| Flow Type: | Single |
| Isolation Included: | No |

Dimensions (measurements in mm)



Flow Rates (l/min)

| System Pressure (bar) | 0.2 | 0.5 | 1 | 2 | 3 | 5 |
|-----------------------------|------|------|------|------|------|------|
| Through Bath Filler (mixed) | 18.4 | 29.1 | 41.2 | 58.2 | 71.3 | 92 |
| Through Handset (mixed) | 5.2 | 8.2 | 11.6 | 16.4 | 20.1 | 25.9 |

TECHNICAL DATA SHEET



BRISTAN

D5