

**Serie | 4, Wall-mounted cooker hood,
90 cm, clear glass
DWA96DM50B**

B



**Hood with glass design: performance
combined with curved glass design to
match your kitchen.**

- **TouchSelect control:** quick touch-control selection of desired settings and light.
- An impressive extraction rate of 610 m³/h ensures this hood will have your kitchen odour free in no time.
- **Silent:** maximum extractor performance with little noise

Technical Data

Color chimney :	Stainless steel
Typology :	Chimney
Approval certificates :	CE, VDE
Length of electrical supply cord (cm) :	130
Height of the chimney (mm) :	576-897/576-1007
Height of product, without chimney (mm) :	50
Minimum distance above an electric hob :	550
Minimum distance above a gas hob :	650
Net weight (kg) :	15.331
Type of control :	Electronic
Maximum output air extraction (m ³ /h) :	371
Boost position output recirculating (m ³ /h) :	355
Maximum output recirculating air (m ³ /h) :	292
Boost position air extraction (m ³ /h) :	610
Number of lights (Stck) :	2
Noise level (dB(A) re 1 pW) :	61
Diameter of air outlet (mm) :	120 / 150
Grease filter material :	Washable aluminium
EAN code :	4242005050987
Connection rating (W) :	220
Current (A) :	10
Voltage (V) :	220-240
Frequency (Hz) :	50; 60
Plug type :	GB plug
Installation type :	Wall-mounted

Optional accessories

- DHZ1225 : Chimney extension 1000 mm
- DHZ1235 : Chimney extension 1500 mm
- DHZ9550 : Brushed steel back panel
- DHZ9551 : Brushed steel back panel
- DSZ5201 : CleanAir active carbon filter spare part
- DSZ6200 : CleanAir Recirculation Kit
- DWZ0DX0A0 : Active carbon filter
- DWZ0DX0U0 : Recirculating kit
- DWZ0XX0I0 : Integrated CleanAir Recirculation Kit
- DWZ0XX0J0 : Integrated CleanAir Recirculation Kit
- DZZ0XX0P0 : CleanAir act.carbon filter regenerative



4 242005 050987

Serie | 4, Wall-mounted cooker hood, 90 cm, clear glass DWA96DM50B

Hood with glass design: performance combined with curved glass design to match your kitchen.

Key performance features:

- Energy Efficiency Class: B (at a range of energy efficiency classes from A+++ to D)
- Extraction rate according to EN 61591 ø 15 cm:
max. Normal use 371 m³/h
Intensive 610 m³/h
- Noise max. Normal Level: 61 dB*

Features

- TouchControl with Electronic display
- Electronic display
- 3 power levels & intensive setting
- 2 x 1.5W LED light
- Colour Temperature: 3500 K
- Automatic intensive revert (6mins)
- 1 removable metal grease filter cassette
- Designed for wall mounted installation

Design

- Brushed steel glass canopy
- Glass design
- Chimney extractor hood
- TouchControl
- Electronic control

Performance/technical information

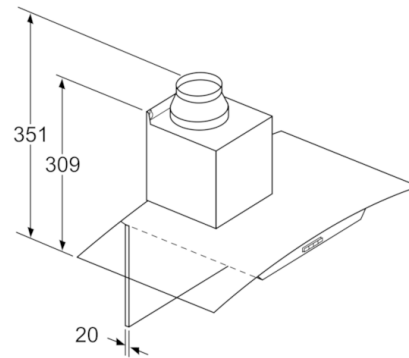
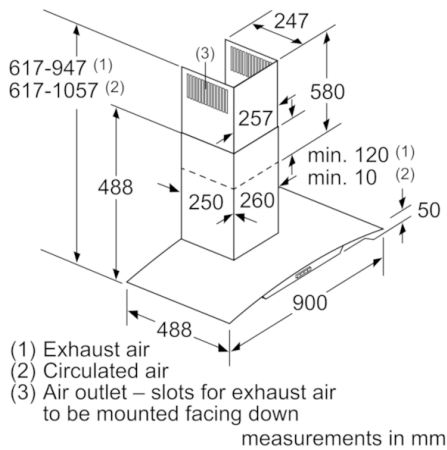
- Suitable for ducted or recirculating operation
- For recirculated extraction recirculating kit or CleanAir recirculating kit (accessory) needed
- Max. extraction rate: 610 m³/h
- Extraction rate according to EN 61591 ø 15 cm:
max. Normal use 371 m³/h
Intensive 610 m³/h
- Extraction rate in recirculation mode:
Max. normal use: 292 m³/h
Intensive: 355 m³/h
- Noise max. Normal Level: 61 dB*
- Noise level according to EN 60704-3 and EN 60704-2-13 exhaust air:
Max. normal use: 61 dB(A) re 1 pW (48 dB(A) re 20 µPa sound pressure)
Intensive: 69 dB(A) re 1 pW (56 dB(A) re 20 µPa sound pressure)
- Noise levels in recirculation mode:
Max. normal use: 72 dB(A) re 1 pW (59 dB(A) re 20 µPa sound pressure)
Intensive: 75 dB(A) re 1 pW (62 dB(A) re 20 µPa sound pressure)
- Power rating: 220 W
- Light Intensity: 232 lux
- Colour Temperature: 3500 K
- Electrical cable length 1.3 m
- Diameter pipe ø 150 mm (ø 120 mm enclosed)
- Dimensions exhaust air (HxWxD): 617-947 x 900 x 488 mm
- Dimensions recirculating (HxWxD): 617-1057 x 900 x 488 mm
- Dimensions recirculating with CleanAir module (HxWxD):
686 x 900 x 488 mm - mounting with outer chimney
815-1145 x 900 x 488 mm - mounting with telescopic chimney
- Energy Efficiency Class: B (at a range of energy efficiency classes from A+++ to D)
- Blower Efficiency Class: B*
- Lighting Efficiency Class: A*
- Grease Filtering Efficiency Class: B*
- Average Energy Consumption: 47.2 kWh/year*

Optional accessories

- Recirculating kit

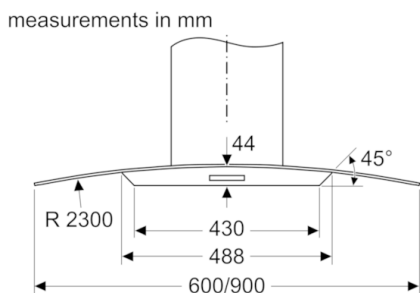
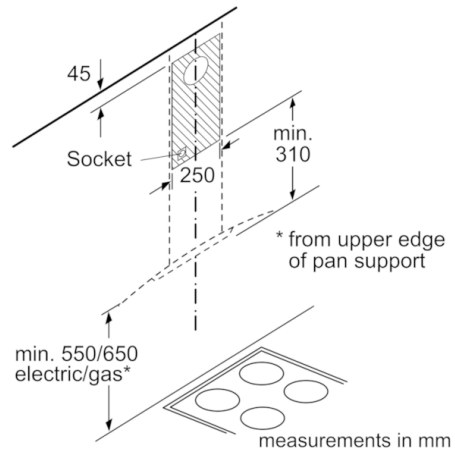
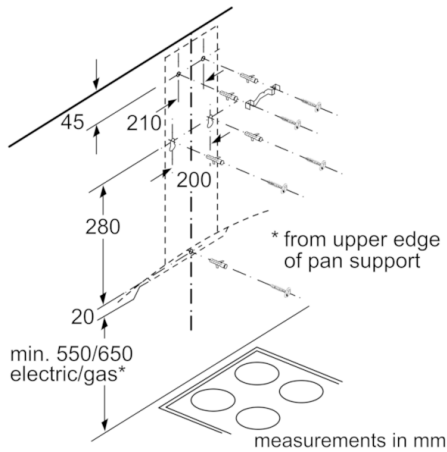
* In accordance with the EU-Regulation No 65/2014

**Serie | 4, Wall-mounted cooker hood, 90 cm,
clear glass
DWA96DM50B**



If a back panel is used, the design of the appliance must be considered.

measurements in mm



Dimensions for designing rear wall panels. Please ensure that all dimensions are within the tolerances. The actual dimensions must be checked on the appliance in question.