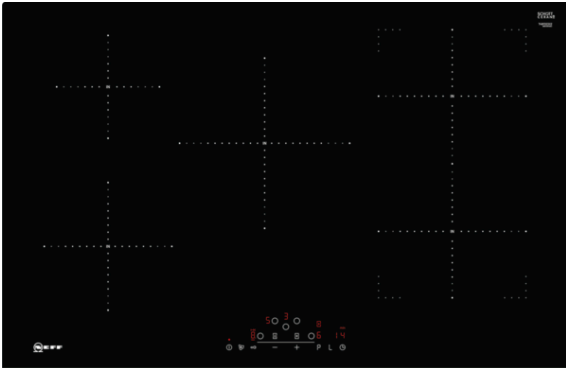


N 70, Induction hob, 80 cm,  
T48FD23X2



COOKING PASSION SINCE 1877



#### Standalone induction cooktop with TouchControl.

- ✓ TouchControl is a highly convenient way to control the hob. One touch is enough. A timer is also included.
- ✓ Combi Induction - 2 individual induction cooking zones can be combined to 1 large zone with even heat distribution.
- ✓ Power Move 2 – the CombiZone is divided into two heating zones: boiling in the front and keeping warm in the rear zone.
- ✓ Induction - With induction cooking, the heat is generated directly in the cookware for precise cooking that stops when power is off.
- ✓ PanBoost - Optimised power level function for more flexible and even faster heating.



#### Features

##### Technical Data

Product name/family : Cooking zone ceramic

Construction type : Built-in

Energy input : Electric

Total number of positions that can be used at the same time : 5

Required niche size for installation (HxWxD) : 51 x 750-750 x 490-500

Width of the product (mm) : 802

Dimensions of the product (mm) : 51 x 802 x 522

Dimensions of the packed product (HxWxD) (mm) : 126 x 953 x 608

Net weight (kg) : 15.203

Gross weight (kg) : 17.0

Residual heat indicator : Separate

Location of control panel : Hob front

Basic surface material : Ceramic

Color of surface : Black

Approval certificates : AENOR, CE

Length of electrical supply cord (cm) : 110

EAN code : 4242004232841

Electrical connection rating (W) : 7400

Voltage (V) : 220-240

Frequency (Hz) : 50; 60

#### Optional accessories

Z9442X0 Set of 3 pots and 1 pan



4 242004 232841

*N 70, Induction hob, 80 cm,  
T48FD23X2*

## Features

### Control

- Touch control

### Flexibility

- Combi zone
- 5 zone induction hob

### Special features

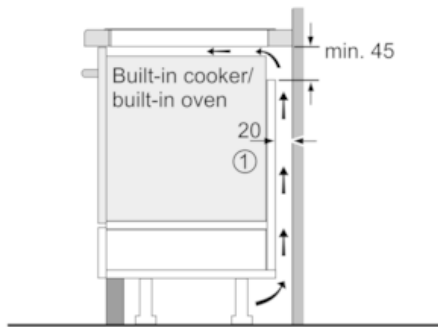
- Boost setting for all zones
- Variable 17-stage power settings for each zone
- Digital display of cooking levels
- 2 stage residual heat indicators
- Timer with automatic shut off for all zones  
LED timer for each zone with switch off function and acoustic signal
- ReStart function
- Automatic pan recognition  
Safety cut out facility  
Control panel lock  
Control panel suspension
- Keep warm function
- Energy consumption display

### Technical information

- Cooking zones: 1 x Ø 180 mm, 1.8 KW (max. Power levels 3.1 KW) Induction; 1 x Ø 145 mm, 1.4 KW (max. Power levels 2.2 KW) Induction; 1 x Ø 240 mm, 2.2 KW (max. Power levels 3.7 KW) Induction; 1 x Ø 190 mm, 2.2 KW (max. Power levels 3.7 KW) Induction; 1 x Ø 210 mm, 2.2 KW (max. Power levels 3.7 KW) Induction
- Measurement: (H/B/T) 51 x 802 x 522 mm
- Installation dimensions: (ID/W/D) 51 mm x 750 mm x 490 mm
- 80 cm width
- Length wire connection: 110 cm
- Main switch
- Min. worktop thickness: 16 mm
- Output 7400 W
- Cable included in packaging

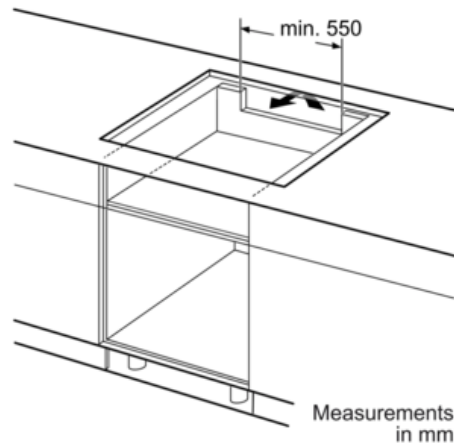
N 70, Induction hob, 80 cm,  
T48FD23X2

Dimensioned drawings

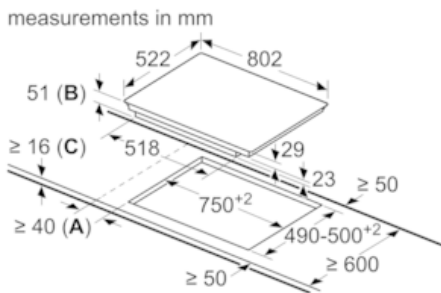


①  
Ventilation gap must  
be present

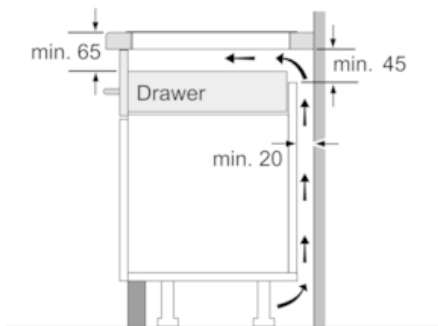
All measurements in mm



Measurements  
in mm



- A:** Minimum distance from the hob cut-out to the wall.
- B:** Recessed depth
- C:** With fitted oven underneath min. 30, possibly more; see space requirements for the oven.



Measurements in mm