

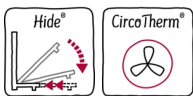
N 50, Built-in oven, 60 x 60 cm, Graphite-Grey  
B3ACE4HGOB



COOKING PASSION SINCE 1877



A



Built-in Slide&Hide® oven with fixed handle - unrestricted access to the oven interior thanks to the fully retracting oven door

- ✓ Hide® – The fully retracting oven door.
- ✓ CircoTherm® – Smart hot-air solution that lets you bake on up to three levels at once.
- ✓ LCD-Display – simple, straightforward with large characters for clear reading
- ✓ Cliprails – Place dishes exactly where you want them in your oven.

#### Features

##### Technical Data

Gross weight : 37.3 kg  
 Color / Material Front : Graphite  
 Construction type : Built-in  
 Integrated Cleaning system : Catalytic partial, Hydrolytic  
 Required niche size for installation (HxWxD) : 585-595 x 560-568 x 550 mm  
 Dimensions : 595 x 594 x 548 mm  
 Dimensions of the packed product (HxWxD) : 670 x 690 x 660 mm  
 Control Panel Material : Glass  
 Door Material : Glass  
 Net weight : 35.0 kg  
 Usable volume of cavity : 71 l  
 Cooking method : Bottom heat, Conventional heat, Full width grill, Hot Air, Hotair gentle, Hot air grilling, Pizza setting  
 First cavity material : Other  
 Number of interior lights : 1  
 Approval certificates : CE, VDE  
 Length of electrical supply cord : 120 cm  
 Interior Lights - cavity 1 : 1  
 Ease of access : Clip rails  
 Clock function : Alarm, Off, On  
 Included accessories : 2 x combination grid, 1 x universal pan  
 Broil Element Wattages cavity 1 : 2700 W  
 Convection Element Wattages cavity 1 : 1600 W  
 Energy efficiency rating : A  
 Energy consumption per cycle conventional (2010/30/EC) : 1.04 kWh/cycle  
 Energy consumption per cycle forced air convection (2010/30/EC) : 0.81 kWh/cycle  
 Energy efficiency index (2010/30/EC) : 95.3 %  
 Connection rating : 2990 W  
 Fuse protection : 13 A  
 Voltage : 220-240 V  
 Frequency : 50; 60 Hz  
 Plug type : no plug  
 Color / Material Front : Graphite  
 Energy input : Electric  
 Approval certificates : CE, VDE  
 Required cutout/niche size for installation (in) : x x  
 Dimensions of the packed product : 26.37 x 25.98 x 27.16  
 Net weight : 77.000 lbs  
 Gross weight : 82.000 lbs  
 Length of electrical supply cord : 120 cm  
 Net weight : 35.0 kg

#### Optional accessories

Z11AB15A0 : Baking tray, non-stick ceramic coated , Z11AU15A0 : , Z11CB10E0 : Baking tray, grey enameled , Z11CR10X0 : Baking and roasting grid (standard) , Z11CU10E0 : , Z11GT10X3 : Glass roasting dish, 5,4l , Z11TE25X0 : , Z11TF25X0 : , Z11TF36X0 : 3 level telescopic rails, full ext , Z11T115X0 : Cliprails , Z11TJ25X0 : , Z11TJ35X0 : , Z1352X0 : , Z13CV05S0 : Cover Strip , Z1913X0 : Baking Stone , Z19DD10X0 : Steam set for ovens



4 242004 263494

## Features

### Design

- Graphite-Grey Edition
- LCD Display (White)
- Electronic clock timer
- Slide&Hide® with fixed handle
- Bar handle
- Elongated designed dials, Retractable control dials, Bevelled oval controls
- Cavity inner surface: enamel grey
- 4 shelf positions

### Features

- Heat reflective glass
- Control panel lock
- Heating up indicator  
Automatic start
- Manual rapid heating up
- Interior halogen light
- Cooling fan
- Stainless-steel fan

### Cleaning

- EcoClean Direct : back panel
- EasyClean
- Full glass inner door

### Programmes/functions

- Oven with 7 PC heating methods: CircoTherm®, Top/bottom heat, Circo-roasting, Full surface grill, CircoTherm® intensive, Bottom heat, CircoTherm® gentle
- Temperature range 50 °C - 275 °C

### Accessories

- 2 x combination grid, 1 x universal pan
- 1 Clip rail, Stop function

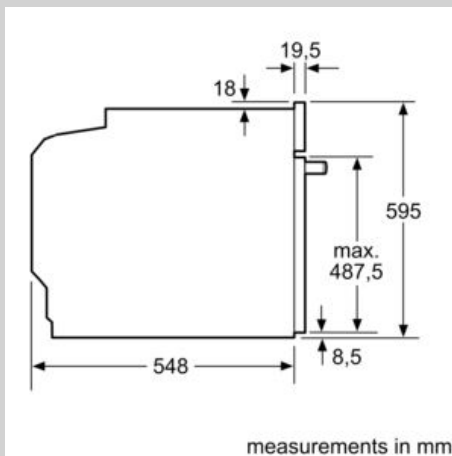
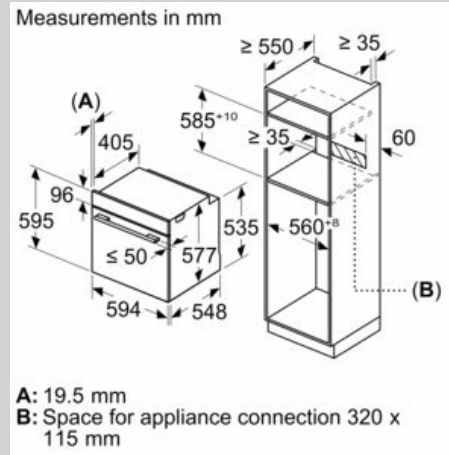
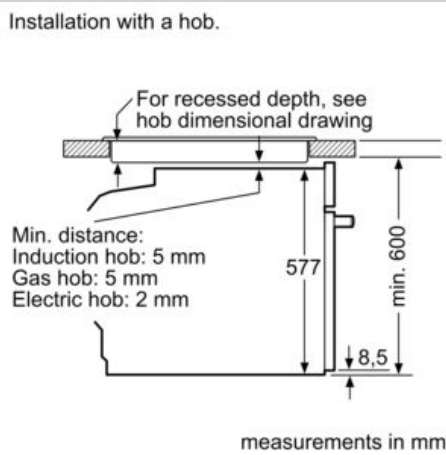
### Technical information

- Cavity volume: 71 litre
- 120 cm Cable length
- Nominal voltage: 220 - 240 V
- Total connected load electric: 2.99 KW
- Energy efficiency rating (acc. EU Nr. 65/2014): A  
Energy consumption per cycle in conventional mode:1.04 kWh  
Energy consumption per cycle in fan-forced convection mode:0.81 kWh  
Number of cavities: Main cavity Heat source: electrical Cavity volume:71 litre

### Performance/technical information

- Appliance dimension (hxwxh): 595 mm x 594 mm x 548 mm
- Niche dimension (hxwxh): 585 mm - 595 mm x 560 mm - 568 mm x 550 mm
- Please refer to the dimensions provided in the installation manual
- We recommend you to choose complementary products within N50, in order to assure an optimal design combination of your Built-In appliances.

Dimensioned drawings



If the appliance will be installed underneath a hob, the following worktop thicknesses (including substructure if necessary) must be taken into account.

Hob type	min. worktop thickness	
	fitted	flush
Induction hob	37 mm	38 mm
Full surface Induction hob	47 mm	48 mm
Gas hob	30 mm	38 mm
Electric hob	27 mm	30 mm

