

BENCHMARK

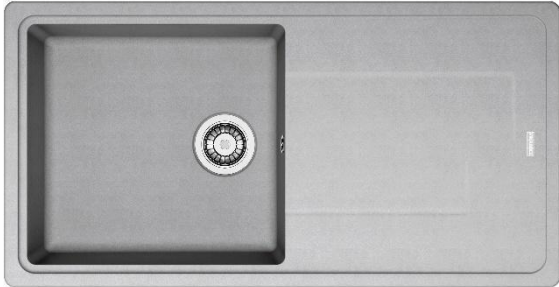
Kitchens and Joinery

Franke Titan 1 Bowl Urban Grey Tectonite Sink 874160

Supplier:



Photo of product



Features and Benefits

- Affordable stone-effect material made from glass-reinforced sheet compound
- Resistant to heat, shock and impact
- UV resistant – colour won't fade
- Reversible design allows for left- or right-handed draining
- Light-weight and easy to install
- 50 year guarantee

What's included in the box?

Basket strainer waste kit



Overflow

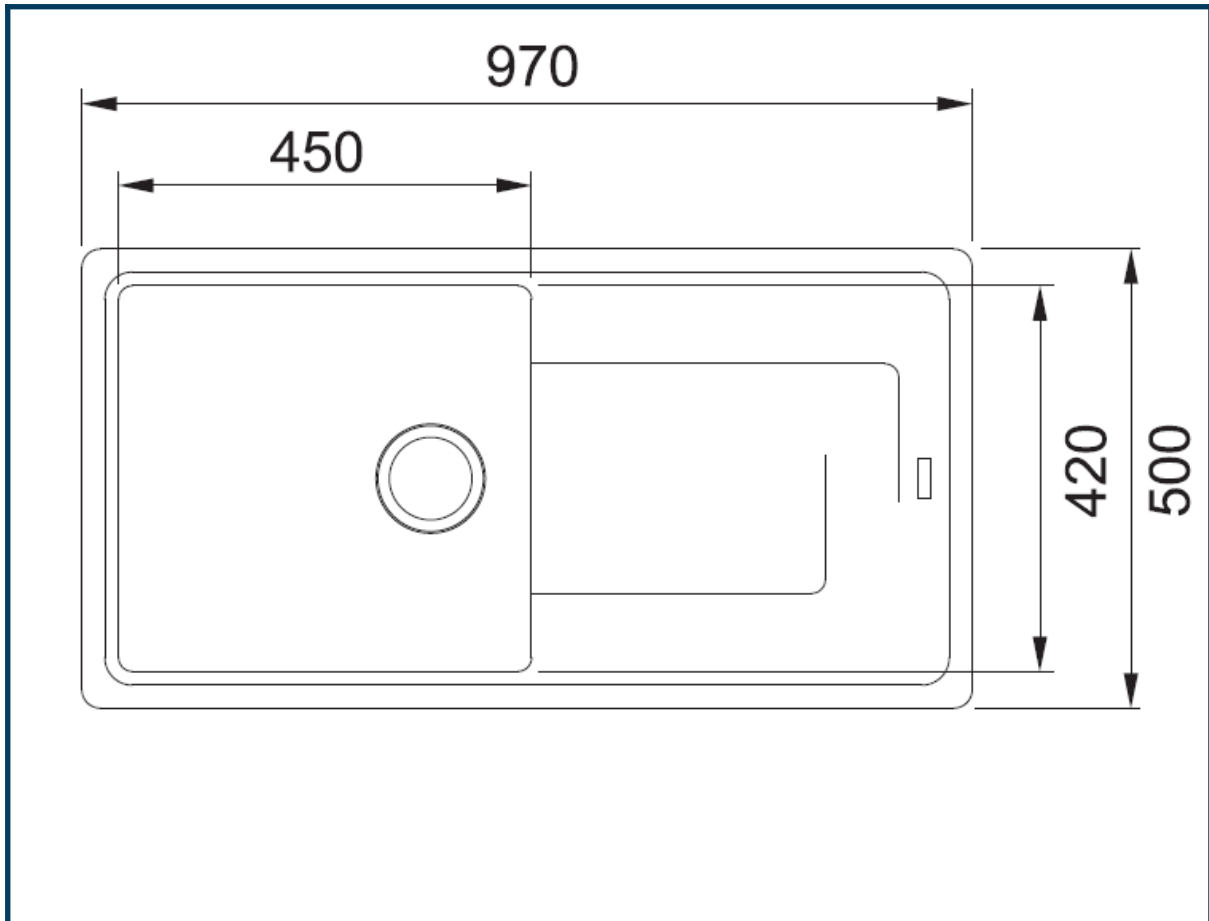


Sink Clips x 10



BENCHMARK

Kitchens and Joinery



Technical Information

- Plumbing kit not included
- Left-right: 970mm
- Front-back: 500mm
- Bowl dimensions: 450x420x200mm
- Cut out: 950x480mm
- Minimum cabinet: 600mm
- Suitable for use with WDU
- Reversible design for versatility
- 50 year manufacturer's guarantee
- Franke ref: 143.0671.170

BENCHMARK

Kitchens and Joinery

Guarantee Information

If you wish to make a claim under this guarantee, you must contact Franke (on 0161 436 6280 or at ks-info.gb@franke.com).

A valid claim is one that constitutes a claim made where:

- The product has been installed in accordance with Franke's installation instructions
- The product has been used as recommended by Franke in normal domestic situations
- The product has experienced a manufacturing defect
- Any claims must be received within the specified guarantee period
- Any claims must be accompanied by a copy of the invoice confirming the date of purchase or installation and proof of ownership

The following exclusions are not covered by the Franke guarantee:

- Damage caused by improper use, wilful or accidental damage, or negligence
- Normal wear and tear, scuffs or scratches
- Improper installation or storage
- Abnormal usage (including usage in extreme temperatures)
- Damage caused by improper maintenance or cleaning (including the use of unidentified chemicals or cleaners containing corrosive agents)
- Damage caused by impurities in water supply or acts beyond our control

Further details of the [Franke Guarantee](http://www.franke.co.uk/guarantee) can be found on the Franke website: www.franke.co.uk/guarantee.



Additional Documentation

- Care Guide

Everyday tips

It is good practice to clean your sink immediately after use.

For regular use, a non-abrasive cream cleaner without added bleach such as Franke Coloured Sink Cleaner, should be used. This should be applied with a soft damp cloth, followed by a clean water rinse and dry.

Never use a metal scouring pad or wire wool as these may leave deposits which rust and give the appearance of staining.

Avoid the use of a plastic washing up bowl however as this will over time cause the development of regular abrasion marks over the sink's surface.

Live in a hard water area?

The quality of your water can affect the good looks of your sink by giving the appearance of staining. This 'staining' is generally a build up of limescale or similar mineral deposit, particularly prevalent in hard water areas. Limescale

BENCHMARK

Kitchens and Joinery

readily absorbs staining agents such as tea, coffee, red wine etc, spoiling the appearance of your sink. For this reason always rinse and dry your sink after each use to avoid mineral deposits being left behind on the surface when the water evaporates.

What to avoid

Bleach or other cleaning agents containing bleach should not be left in contact with your sink as discolouration or pitting of the surface could result.