



# Mira Activate High Pressure & Pumped Dual Outlet Digital Mixer

Smart, simple showering.

## Product Information

Description	Colour	Product No.
Mira Activate Dual, Rear Fed (High Pressure/Combi)	Chrome	1.1903.089
Mira Activate Dual, Rear Fed (Pumped for Gravity)	Chrome	1.1903.093
Mira Activate Dual, Ceiling Fed (High Pressure/Combi)	Chrome	1.1903.088
Mira Activate Dual, Ceiling Fed (Pumped for Gravity)	Chrome	1.1903.092

## Features & Benefits

### Temperature control

Thermostatic temperature stability with digital intelligence

Digital user interface with temperature display

Maximum temperature setting for increased safety

### Easy to fit and maintain

Easy to install, single piece ceiling fed fittings assembly

Multi-fit deluge overhead can be installed through ceiling, stud wall or solid wall

Rear fed fittings available for wall mounting

Push fit isolators

Serviceable filters

Wired connection between Digital User Interface and Digital Valve

### For your customer

Award winning Mira Switch 4 spray showerhead

Large 250mm deluge head

Mobile app offers secondary control and remote operation

3 user adjustable temperature, flow and duration pre-sets

Eco mode reduces water flow for more responsible water use

Additional wireless remote control sold separately



To download other resources, and for more information and advice on our products just visit: [www.mirashowers.co.uk](http://www.mirashowers.co.uk)



# Product Specification

## Tech Details

### Installation Units & Fittings

Water Entry Points - Back, Rear Fed; Top, Ceiling Fed

Inlet Connections: 15mm Push Fit (supplied) or 15 mm compression

Data Connection between Digital Valve and User Interface:  
Low voltage data cable

### Digital Mixer

Inlet Connections: 15mm Push Fit (supplied) or 15 mm compression

Outlet connection: 15mm push fit (supplied)

Supply voltage: 230v +10%

Supply rating: 3 amp fused plug

### Supply Conditions (hot and cold)

Minimum maintained pressure: Pumped: 0.01 bar (10 cm head);  
High Pressure: 1 bar (10 metre head)

Maximum maintained pressure: Pumped: 1.0 bar (10 metre head);  
High Pressure: 5.0 bar (50 metre head)

Maximum static pressure: Pumped: 1.0 bar (10 metre head);  
High Pressure: 10.0 bar (100 metre head)

### Performance

Minimum Flow Rate -

- 4 L/min for High Pressure Products
- 6 L/min for Pumped Products

High Pressure Products at 1 bar maintained pressure can deliver:

- Handset products up to 10 L/min\*
- Overhead products up to 16 L/min\*

Pumped Products at 0.01 bar maintained pressure can deliver:

- Handset products up to 10 L/min\*
- Overhead products up to 12 L/min\*

Default flow rate target: 12 L/min

\* Under ideal system conditions. The actual maximum flow will depend on the installation, system conditions and type of fittings. Refer to the 'Installation and User Guide' for more details.

### Safety Features

Over temperature shutdown: Yes

Factory set to safe max temp

### Approvals

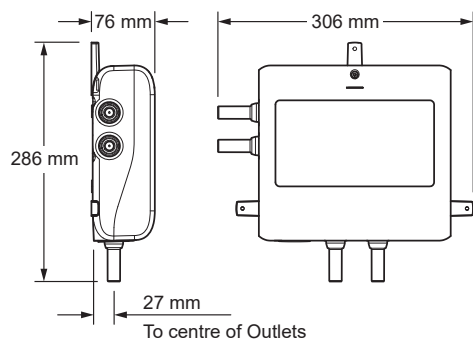
WRAS approved (Water Regulations Advisory Scheme)

TMV2 approved

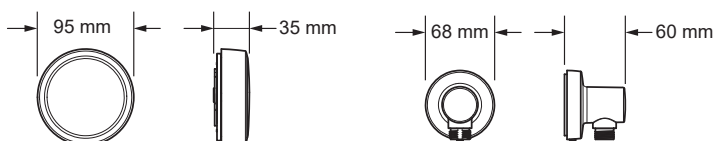
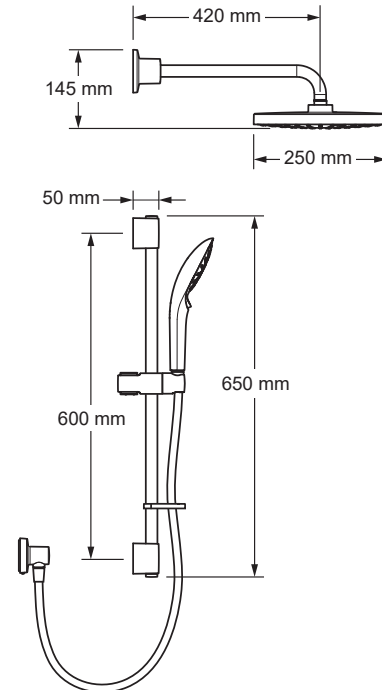
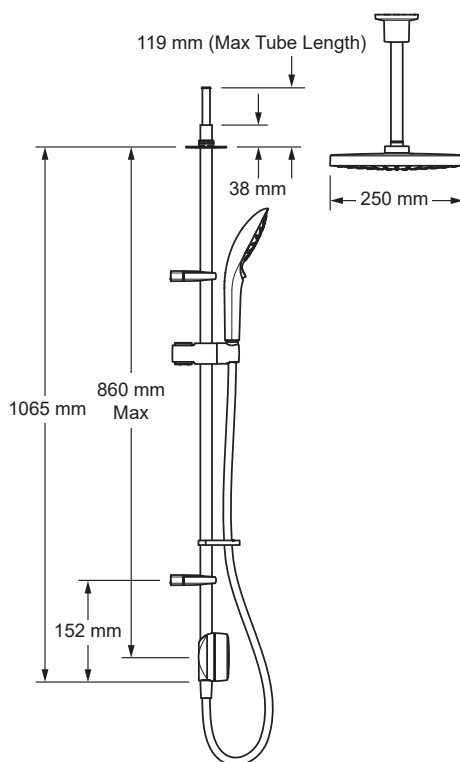
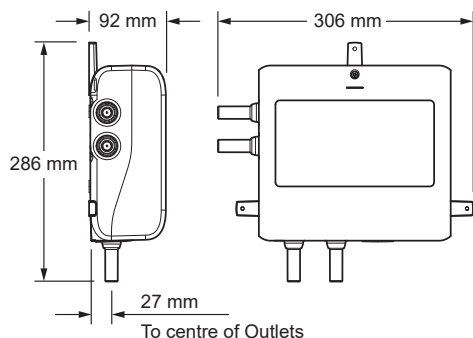
BEAB approved

## Dimensions

### High Pressure, Dual Outlet



### Pumped, Dual Outlet



To download other resources, and for more information and advice on our products just visit:  
[www.mirashowers.co.uk](http://www.mirashowers.co.uk)

