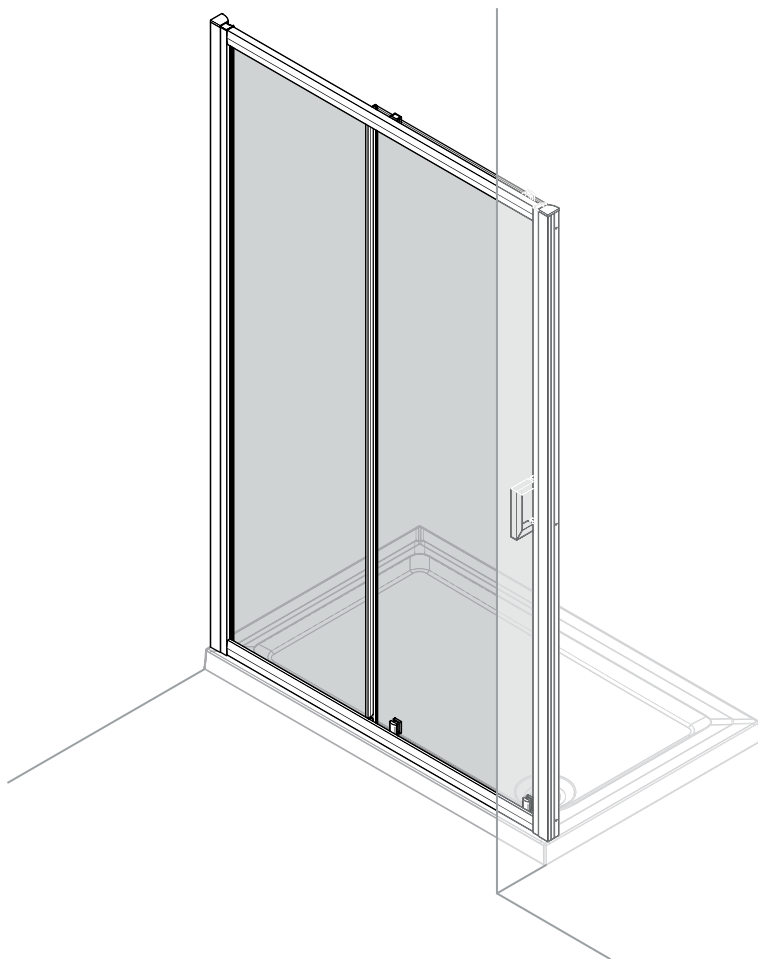


# Slider Door

## Installation Instructions

**IMPORTANT:** If installing a Slider Door and Side Panel only; ie. a corner installation, please refer to alternative fixing details on the document reverse.



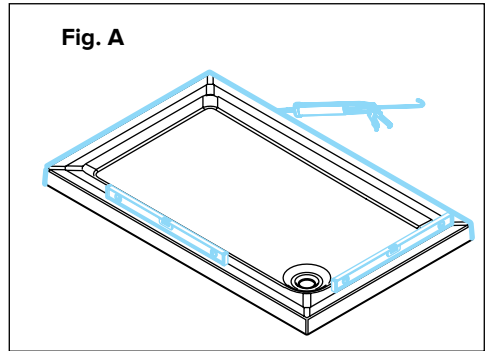
**Please note:** Enclosure shown is for illustration purposes only.

**IN00445 (rev B)**

• Instruction suitable for both Right and Left Hand fixing variations.

## Before You Start

- Check that the tray has been installed correctly and that it is level (Fig. A) Tiled down onto and sealed to the manufacturer's guidelines. **Please Note:** All product is supplied without a tray.
- Ensure the product is fitted to a non-porous surface eg ceramic tiles & waterproof panels.
- Check that the wall surface is flat.
- Unpack and check the product is complete and undamaged.
- Fixings are supplied for solid walls only. Ensure that the correct fixings are used for the wall type – if in doubt seek professional advice.
- Ensure the area is clean, dry and dust free.
- Read the instructions in full.
- Have the correct tools available, (See 'Tools Required' below).
- It is recommended to situate the showerhead and door adjacent to each other in order to allow any water spray to be on the side panel or upstanding wall.



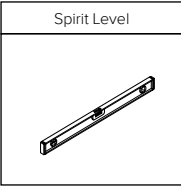
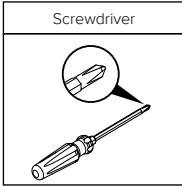
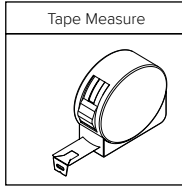
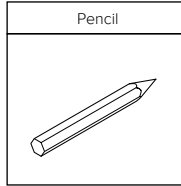
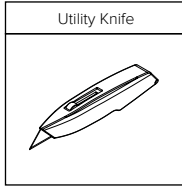
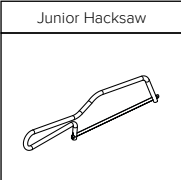

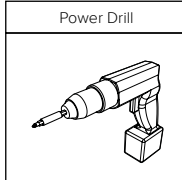
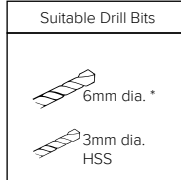
## Safety

- Handle all glass with care - support on cardboard to avoid risk of breakage.
- This product is heavy and requires 2 people to carry and install it.
- When drilling walls, check first for hidden pipes and cables.
- All glass is toughened – it cannot be reworked or replaced by ordinary glass.
- Use safety eyewear when drilling.
- Use safety eyewear when handling glass.
- Keep all small parts away from children.

## Disclaimer

- Please notify the retailer immediately of any damage or faults. The manufacturer cannot be held responsible for any installation costs that may arise from damaged or faulty product being installed.
- Please dispose of all packaging with due regard to the environment.

## Tools Required (not supplied)

<p>Spirit Level</p> 	<p>Screwdriver</p> 	<p>Tape Measure</p> 	<p>Pencil</p> 	<p>Utility Knife</p> 
<p>Junior Hacksaw</p> 	<p>Silicone Gun &amp; Sealant</p> 	<p>Power Drill</p> 	<p>Suitable Drill Bits</p>  <p>6mm dia. * 3mm dia. HSS</p>	<p>* Ensure drill bit used is suitable for wall surface</p>

We have taken great care to ensure that this product reaches you in perfect condition. However should any parts be damaged or missing please contact your point of purchase. This does not affect your statutory rights. In addition if you require replacement parts your point of purchase will be happy to assist.

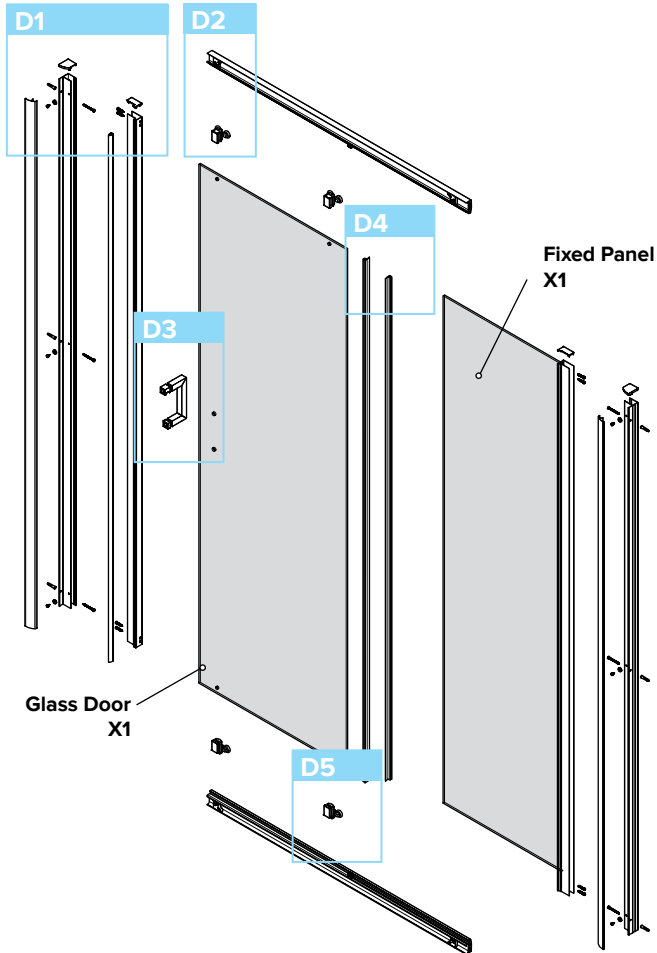
# Parts & Fittings Supplied



Please notify the retailer immediately of any damage or faults. The manufacturer cannot be held responsible for any installation costs that may arise from a damaged or faulty product being installed.

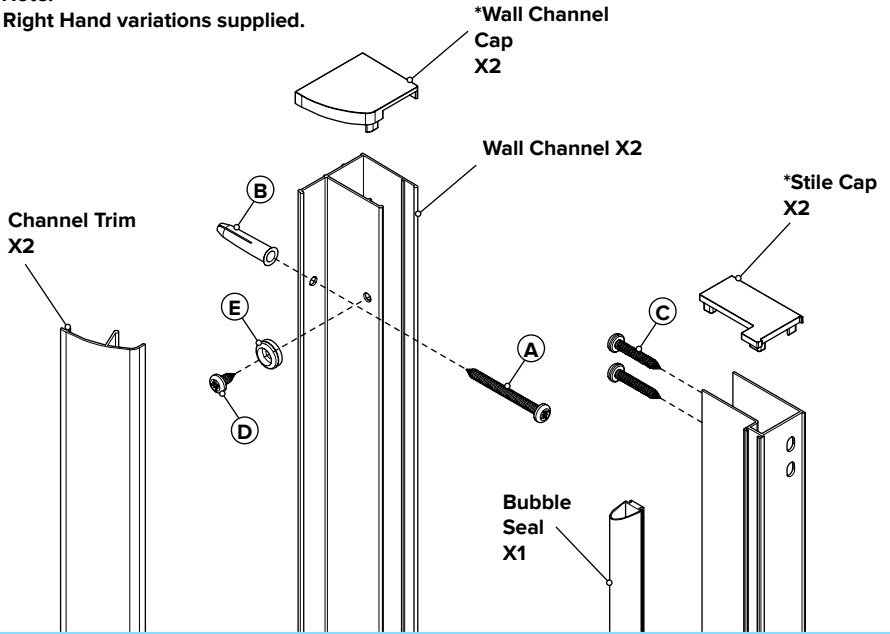


Keep small parts away from children

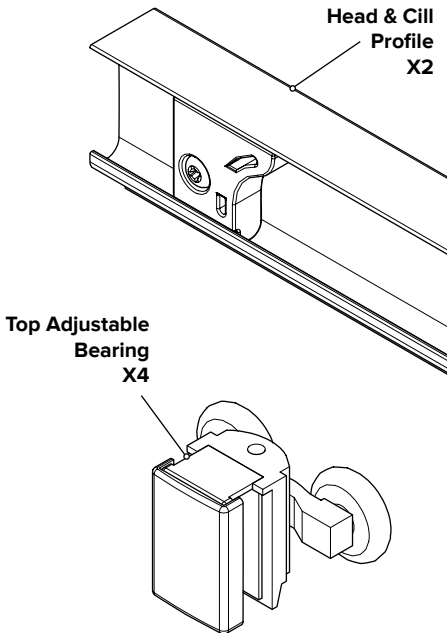


# D1

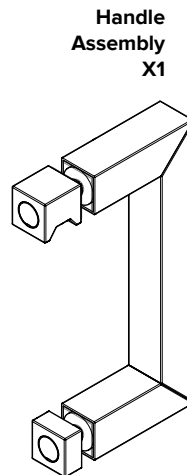
**\* Please Note:**  
Left and Right Hand variations supplied.

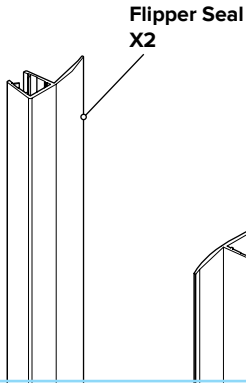
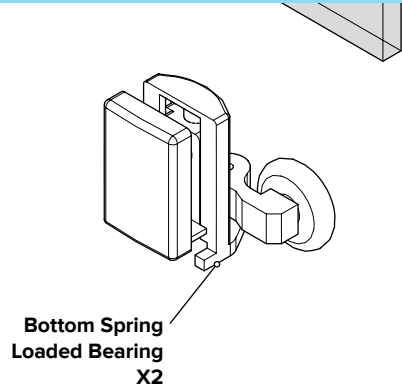


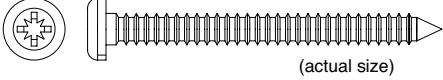

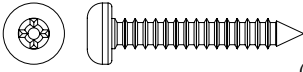
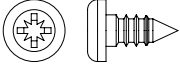

# D2



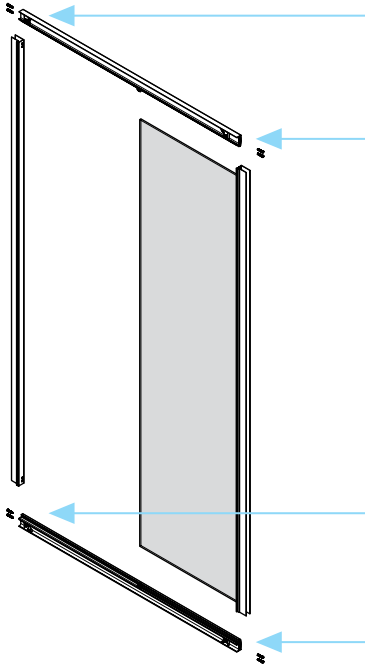
# D3



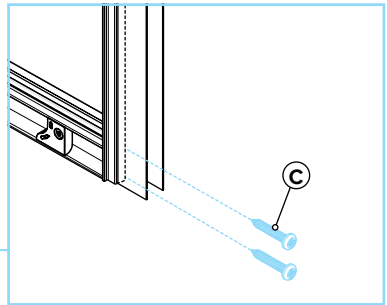
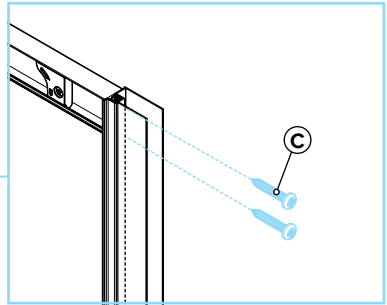
**D4****D5****Loose Screws & Fittings Supplied**

<b>(A)</b>	No.8 x 1¼" Pan Head Pozi Screws	 <p>(actual size)</p>	Qty <b>x6</b>
<b>(B)</b>	Wall Plugs	 <p>(actual size)</p>	Qty <b>x6</b>
<b>(C)</b>	No.8 x 1" Pan Head Pozi Screws	 <p>(actual size)</p>	Qty <b>x8</b>
<b>(D)</b>	No.8 x ¾" Pan Head Pozi Screws	 <p>(actual size)</p>	Qty <b>x6</b>
<b>(E)</b>	Screw Cup	 <p>(actual size)</p>	Qty <b>x6</b>

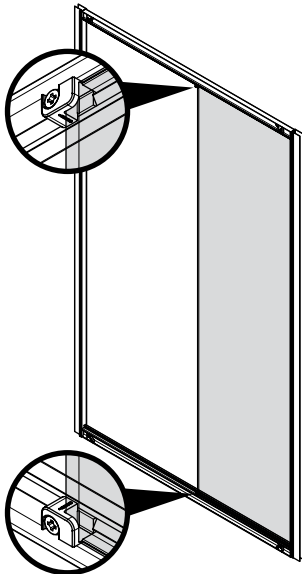
# 1.1



\* Tip: When inserting screws, apply a small amount of oil to the screw thread to allow easier fixing.



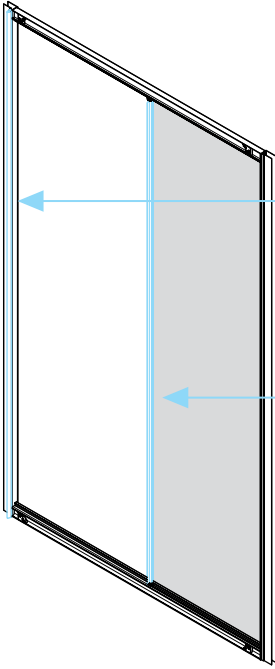
# 1.2



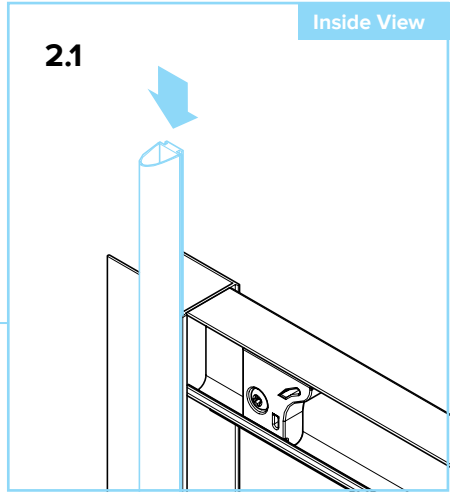
! Ensure Glass Side Panels are located into pre-fitted glass holders as shown.

\* Tip: Assemble frame vertically.

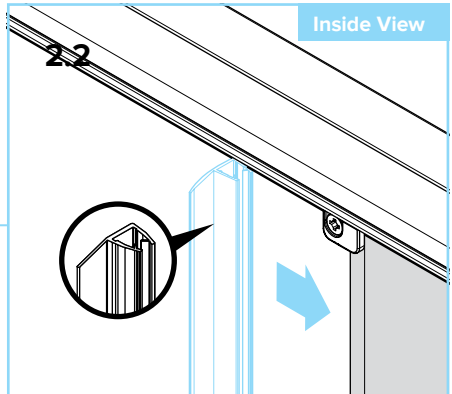
2



2.1



2.2

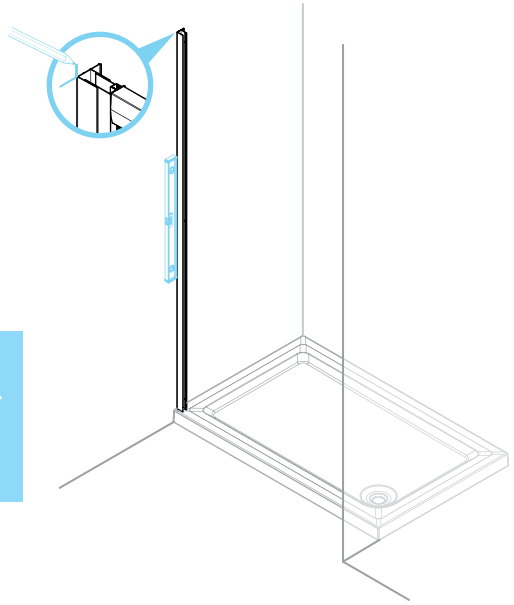


Note:  
Two different Blade Seal, lengths supplied. Use shorter of the two seal lengths at this stage.



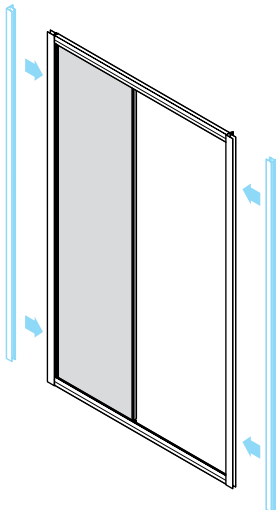
Tip: To push fit Side Panel Blade Seal, start at the bottom and work up.

### 3.1

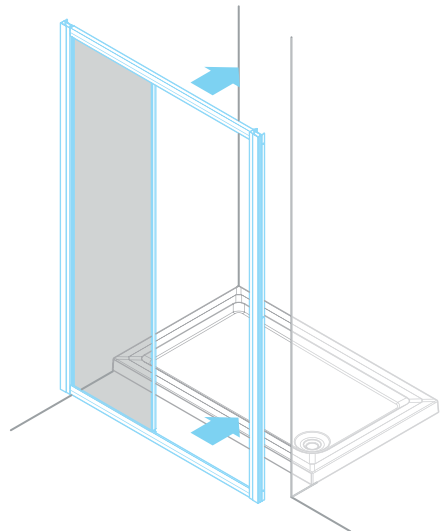


**Please Note:**  
Position one Wall Channel and mark.  
Ensure Wall Channel is level and  
in correct location to the tray. (If in  
doubt refer to illustration on step 4).

### 3.2



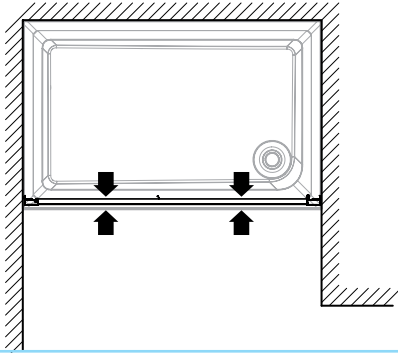
### 3.3





## Plan View

# 4



### IMPORTANT NOTE

Ensure glass is positioned straight and is parallel with tray.



Wall plugs supplied are for solid walls only. Ensure correct wall plug for wall type is used. If in doubt seek professional advice.

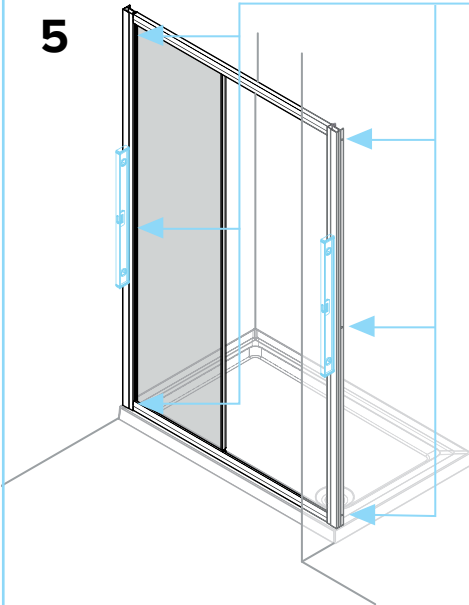


Position Wall Channel on wall as shown, ensure Wall Channel is fixed level.



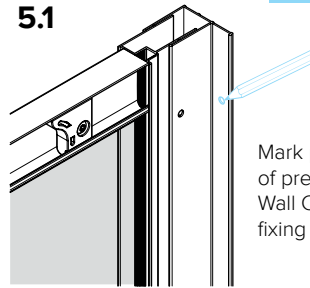
Tip: When drilling tiles, apply masking tape to surface to stop drill bit slipping.

# 5



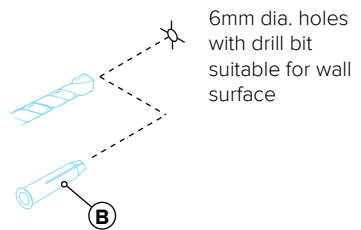
## Inside View

### 5.1



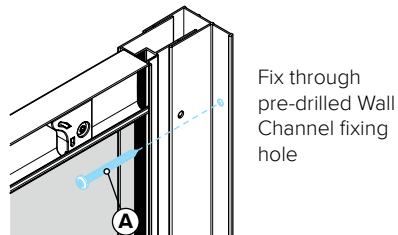
Mark position of pre-drilled Wall Channel fixing hole

### 5.2



6mm dia. holes with drill bit suitable for wall surface

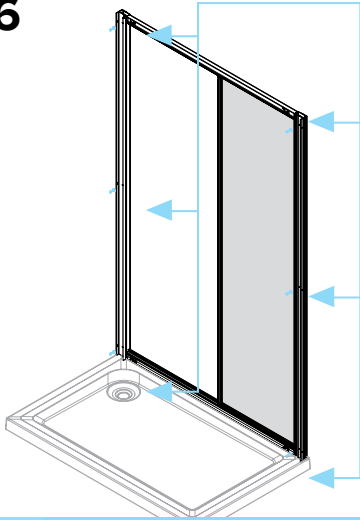
### 5.3



Fix through pre-drilled Wall Channel fixing hole

Inside View

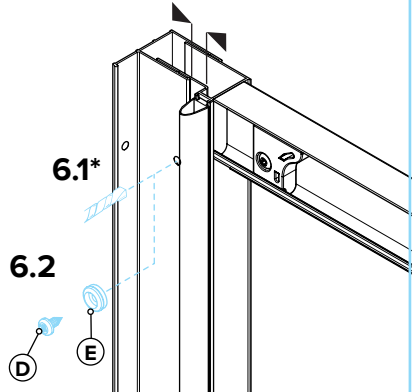
6



Ensure glass is positioned straight and is parallel with tray.

\*3mm dia. holes through pre-drilled holes using HSS drill bit  
Leave 3mm gap for trim strip

Inside View



Tip:  
When inserting screws, apply a small amount of oil to the screw thread to allow easier fixing.

Inside View

7

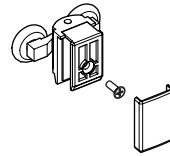


Please Note: Top Adjustable Bearings are supplied fully assembled. Disassemble part prior to fixing.



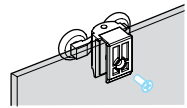
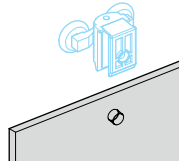
Please Note: Top adjustable Bearing and Bottom Spring Loaded Bearing variations. Use TOP ADJUSTABLE BEARING only.

Top Adjustable Bearing Fixing Preparation

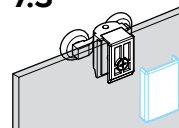


7.1

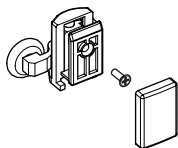
7.2



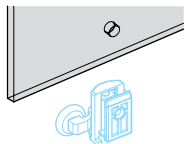
7.3



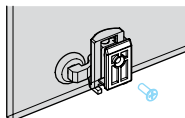
Bottom Spring Loaded Bearing Fixing Preparation



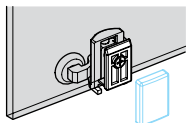
8.1



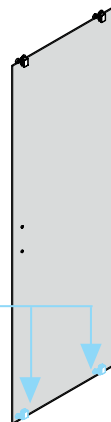
8.2



8.3



8

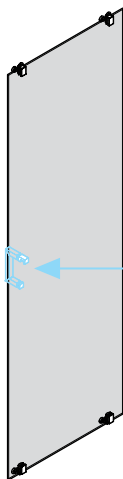


Please Note: Bottom Spring Loaded Bearings are supplied fully assembled. Disassemble part prior to fixing.

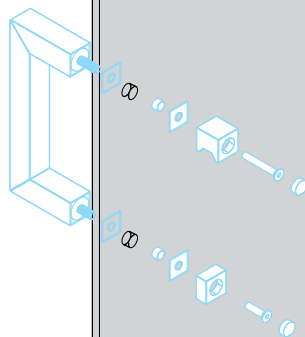


Please Note: Bottom Spring Loaded Bearing and Top adjustable Bearing variations. Use **BOTTOM SPRING LOADED BEARING** only.

9



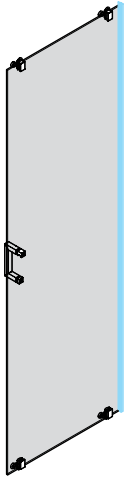
9.1



Please Note: Door Handles are supplied assembled. Disassemble part and then re-assemble as shown. **DO NOT** overtighten.

Inside View

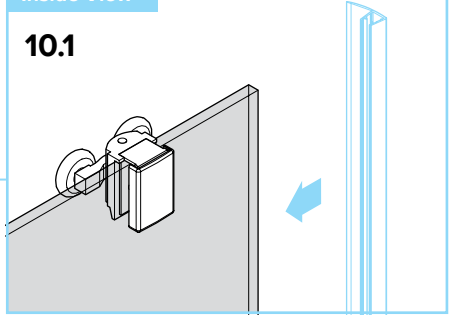
10



Note:  
Two different Seal lengths supplied.  
Use longer of the two versions at  
this stage.

Inside View

10.1



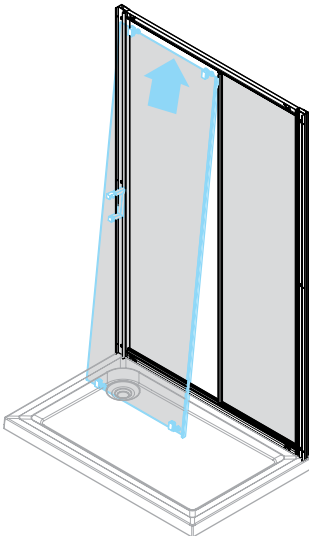
Ensure Door Blade Seal is fitted with  
blade facing away from enclosure  
(as Shown).



Tip:  
Push fit Door Blade Seal, start at the  
bottom and work up.

Inside View

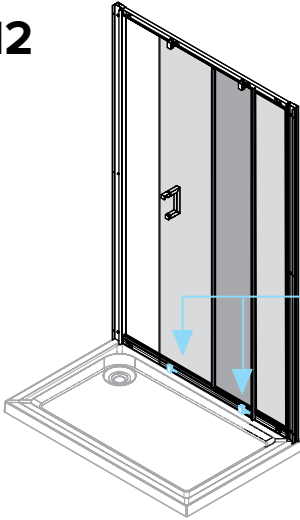
11



Tip:  
Locate bearing wheels on the top  
rail first.

Inside View

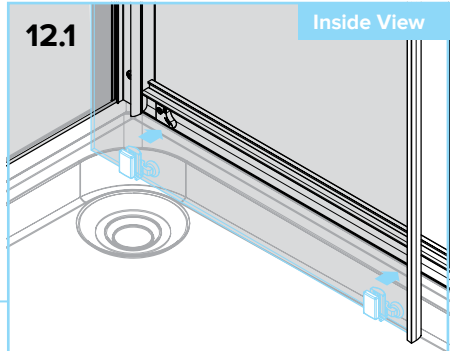
12



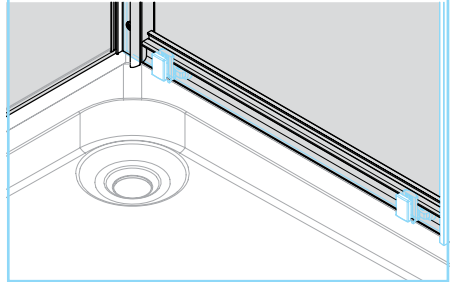
Bottom bearings are sprung loaded, push them down so they fit into the bottom cill rail.

12.1

Inside View

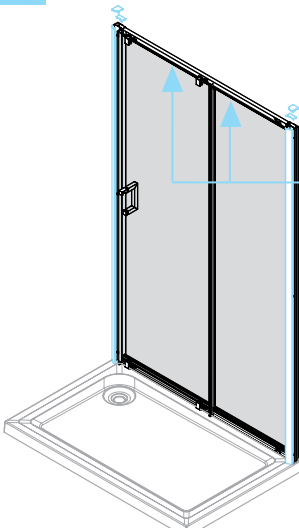


12.2



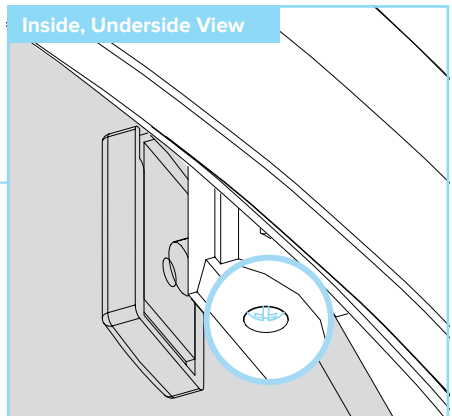
Inside View

13



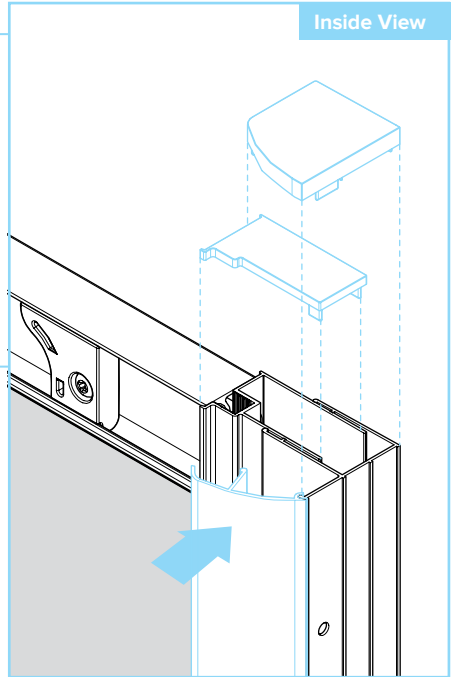
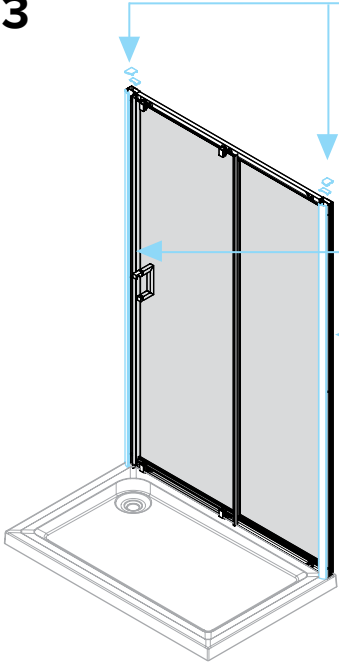
Ensure free movement of door. Adjust to suit.

Inside, Underside View



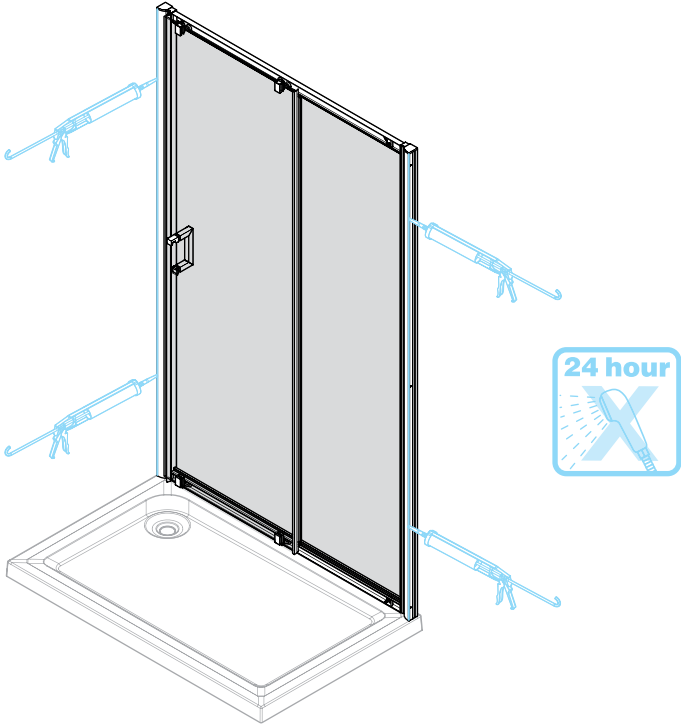
Tip: When door is correctly positioned, door position can be adjusted up and down using Top Bearing adjustment screws (above).

13



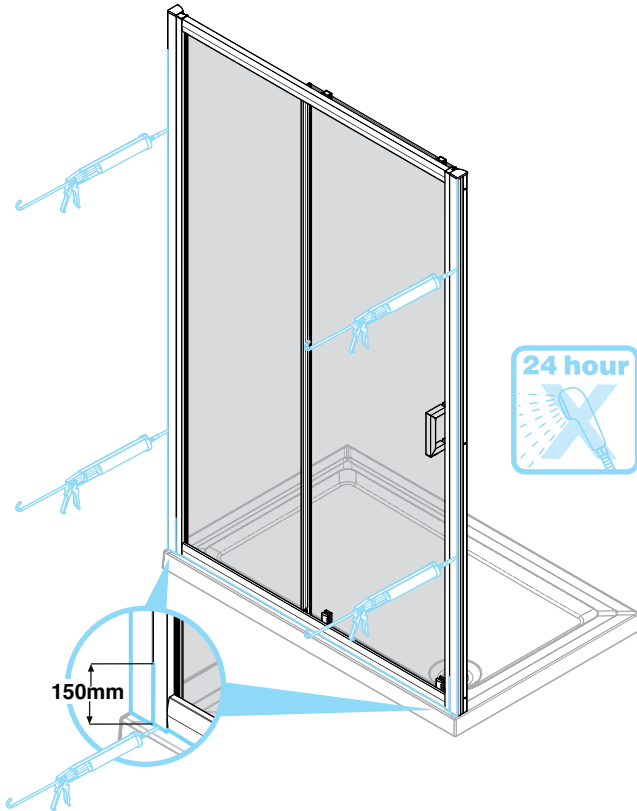
First position channel trims and push until they snap into place. Then fit cover caps.

# 14



**!** Apply **Silicone Sealant** (not supplied).

**!** Only apply silicone sealant to the inside verticals where the Wall Channels meet the wall.



**!** Apply Silicone Sealant (not supplied).

**\*** Product Care:  
Use a non-abrasive cleaner.  
Water marks may be removed with a proprietary limescale remover or household vinegar.





