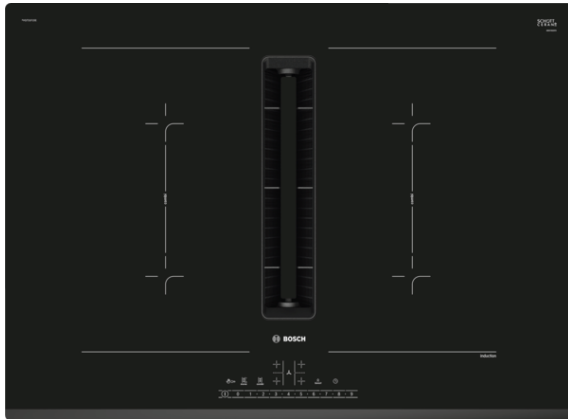


Serie | 6, Induction hob with integrated ventilation system, 70 cm PVQ731F15E

B


Optional accessories

HEZ9CF260 : Pan Ø 22 / 26 cm
 HEZ9LP160 : Pot Ø 14 (bottom) / 16 cm (top)
 HEZ9LP200 : Pot Ø 18 (bottom) / 20 cm (top)
 HEZ9SE030 : Set of 2 pots and 1 pan
 HEZ9VEDU0 : Acoustics Filter
 HEZ9VRCR0 : cleanAir recirculation replenishment fil
 HEZ9VRPD0 : Basic kit (partly-)ducted recirculation
 HEZ9VRUD0 : Kit Unducted Recirculation

The induction hob with integrated ventilation module: combines induction with ventilation technology for perfect results.

- **CombiZone:** More flexibility by combining two cooking zones for cooking with even heat distribution for larger cookware like roasters.
- **MoveMode:** the automatic setting of cooking levels allows fast boiling on the front and simmering on the rear cooking zone.
- **DirectSelect:** Direct, simple selection of the desired cooking zone, power and additional functions.
- **Induction:** Fast, precise cooking, easy cleaning and low energy consumption.
- **PowerBoost:** Up to 50% more power for faster heating.
- **Timer with switch-off function:** Turns off the assigned cooking zone after the set time.
- The handy ChildLock locks the control panel to prevent accidental changes in settings.

Technical Data

Product name/family :	Cooking zone ceramic
Construction type :	Built-in
Energy input :	Electric
Required niche size for installation (HxWxD) :	223 x 560-560 x 490-490
Width of the product (mm) :	710
Dimensions of the product (mm) :	223 x 710 x 522
Dimensions of the packed product (HxWxD) (mm) :	430 x 940 x 660
Net weight (kg) :	24.405
Gross weight (kg) :	29.3
Residual heat indicator :	without
Location of control panel :	Hob front
Basic surface material :	Ceramic
Color of surface :	Black
Approval certificates :	CE, VDE
Length of electrical supply cord (cm) :	110
Sealed Burners :	No
heating with booster :	All
Power of 2nd heating element (kW) :	3.6
Maximum output air extraction (m ³ /h) :	500
Boost position output recirculating (m ³ /h) :	615.0
Boost position air extraction (m ³ /h) :	622
Noise level (dB(A) re 1 pW) :	69
Odour filter :	No
Operating Mode :	Convertible
Delay Shut off modes :	30
Electrical connection rating (W) :	7400
Voltage (V) :	220-240
Frequency (Hz) :	50-60
Main colour of product :	Black
Approval certificates :	CE, VDE
Length of electrical supply cord (cm) :	110
Required niche size for installation (HxWxD) :	223 x 560-560 x 490-490
Dimensions of the product (mm) :	223 x 710 x 522
Dimensions of the packed product (HxWxD) (mm) :	430 x 940 x 660
Net weight (kg) :	24.405
Gross weight (kg) :	29.3



Serie | 6, Induction hob with integrated ventilation system, 70 cm PVQ731F15E

The induction hob with integrated ventilation module: combines induction with ventilation technology for perfect results.

Design

- PVQ731F15E Venting Cooktop Induction
- 710 mm
- Front facette design

Special features

- DirectSelect
- 2 Combi zones
- MoveMode: MoveMode (2 levels)
- QuickStart function
- ReStart function
- Digital display, red
- Timer for all zones Timer - shows how long the cooktop is in use

Quickness:

- PowerBoost function for all zones
- 4 induction cooking zones
- Variable 17-stage power settings for each zone

Power and size:

- Cooking zones: 1 x 380 mm x 210 mm, 3.6 KW Induction or 2 x 190 mm, 210 mm, 2.2 KW (max. power 3.7 KW) Induction; 1 x 380 mm x 210 mm, 3.6 KW Induction or 2 x 190 mm, 210 mm , 2.2 KW (max power 3.7 KW) Induction
- Connected load: 7.4 KW

Safety Features

- 2 stage residual heat indicator for each zone
- Automatic pan recognition sensor Automatic safety shut off Control panel lock Control panel lock function
- Main on/off switch
- Energy consumption display

Technical information

- Cable included
- Length wire connection: 110 cm
- Measurement: (H/B/T) 223 x 710 x 522 mm
- Installation dimensions: (ID/W/D) 223 mm x 560 mm x 490 mm
- Min. worktop thickness: 16 mm (Installation in thinner worktops is also possible with the spare part: 626792)
- Suitable for installation into a 60 cm base cabinet

Integrated ventilation downdraft system

- Induction cooktop with fully integrated high-performance downdraft extractor.
- Aesthetically integrated fully flush air intake design with floating, heat resistant glass ceramics element for free movement and placement of cookware.
- Automatic switch-on of ventilation system when a cooking zone is used.
- Automatic delayed shut-off after cooking to erase residual odors after cooking (in specific ultra low-noise fan level, 12min in ducted extraction, 30min in recirculated extraction, can be shut-off manually).
- Fully manual control possible via DirectSelect.
- Convenient one-hand removal of unit via floating glass ceramics handle.
- Integrated, large-scale, high performance stainless-steel grease filters with 12 filtration layers and one black top layer for enhanced aesthetical integration. Grease filtration efficiency of 94 %.
- All parts of the unit are easy-to-clean, fully dishwasher safe and heat resistant.
- (Upper) Liquid collector unit with 200ml of capacity for standard accidental spillages or cooking condensate.
- Powerful drainage system for spillages that exceed 200ml of liquids.
- Liquid safety collector with additional capacity of 700ml for more severe accidental situations. Dishwasher safe. Easily accessible and detachable from below.
- Overall capturing capacity of 900ml (200ml + 700ml).
- Watertight motor system.
- Extraction performance in ducted extraction (according to EN 61591): min. normal setting 154 m3/h , max. normal setting 500 m3/h , max. Boost-/Intensive setting 622 m3/h .
- Extraction performance in recirculated extraction (according to EN 61591): min. normal setting 150 m3/h , max. normal setting 500 m3/h , max. Boost-/Intensive setting 615 m3/h.
- Noise level in ducted extraction (Sound power level according to EN 60704-3): min. normal setting 42 dB re 1 pW, max. normal setting 69 dB re 1 pW, max. Boost-/Intensive setting 74 dB re 1 pW.
- Noise level in recirculated extraction (Sound power level according to EN 60704-3.): min. normal setting 41 dB re

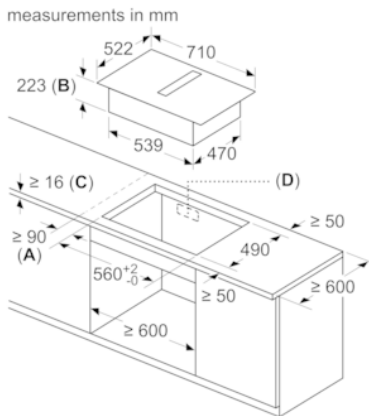
1 pW, max. normal setting 68 dB re 1 pW, max. Boost-/Intensive setting 72 dB re 1 pW.

- Grease filter efficiency (according to EN 61591) 94 %.
- Energy Efficiency Class: B (at a range of energy efficiency classes from A+++ to D).
- Fluid Dynamic Efficiency: A .
- Average energy consumption: 57 .
- Grease filtration efficiency class: B .
- Noise min. normal setting & max. normal setting: 42 dB & 69 dB .
- Optimised odour reduction performance for cooking applications with complex odour molecules (e.g. fish).
- Large scale filter surface with high odour reduction capabilities.
- Lifetime of 360 hours of cooking (non-regenerative).
- Low-noise filters with optimised psycho-acoustics.
- Easy-to-access and easy-to-remove from above.
- Replenishment cleanAir filter set HEZ9VRCR0.
- All performance data is preliminary and based on latest test results with advanced prototypes and will be updated with tests from final products.

Planning & installation notes

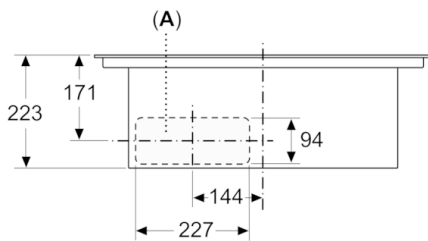
- HEZ9VEDU0 for ducted extraction
- For ducted extraction configuration: 2 x 2 sets of directly integrated, high-performance low-noise acoustic filters for significantly lower noise and improved psycho-acoustics.
- HEZ9VRPD0 for fully ducted and partly-ducted recirculation with cleanAir odour filters. Starter kit HEZ9VRUD0 for unducted recirculation with cleanAir odour filters.
- Installation is possible in island as well as wall oriented configurations.
- The product complies with the Needle Flame Test (according to IEC 60695-5-11), the V2 flammability class (according to UL94) and the B1 building material class (DIN 4102-1). The starter kit HEZ9VRUD0 for unducted recirculation complies with these standards as well.
- The max. immersion depth is 223mm below glass for top mounted appliances and 227mm for flush installed appliances.
- The appliance must be freely accessible from below (i.e. for accessing the lower liquid safety collector).
- No false floor is necessary below the cooktop with integrated downdraft ventilation system. The drawers and/or shelves in the floor unit must be removable. The backpanel of the floor unit can be kept - only a cut-out for the air outlet is needed (position and size can be taken from the installation instructions).
- The "Plug 'n Play" starter kit HEZ9VRUD0 for unducted recirculation requires a vertical aperture of min. 25mm behind the backpanel of the furniture. Suggested for ideal performance are 50mm.
- The minimum worktop thickness is 16mm for top mounted and flush installed appliances with the standard installation system. Installation in even thinner worktops is also possible with the spare part: content 626792.
- The overall appliance weight is 26kg - the bearing capacity and stability, in the case of very thin worktops in particular, must be supported using suitable substructures. The overall appliance weight and the worktop manufacturer's structural integrity specifications are to be taken into account.
- The "Plug 'n Play" starter kit HEZ9VRUD0 for unducted recirculation enables easy and quick installations and can be planned in all worktop depths $\geq 60\text{cm}$. For ducted installations - in ducted extraction (HEZ9VEDU0) as well as fully or partly ducted recirculation (HEZ9VRPD0) - a worktop depth of $\geq 70\text{cm}$ is required.
- For partly ducted and unducted recirculation extraction installations, a return-flow aperture of $\geq 400\text{cm}^2$ is to be respected in the plinth area. The aperture can be realized via outlet grids, lamella grids or subtly shortened plinths depending on the assortment of the kitchen furniture manufacturer.
- The air outlet on the backside of the appliance can directly be accessed with a male flat duct element (DN 150).
- The pressuredrop resistant blower allows longer and more complex ductings up to 8m with three 90° bows while keeping sufficient performance.
- When installing a ventilation hood with ducted extraction and a chimney-vented fireplace, the power supply line of the appliance needs a suitable safety switch. This is not required for configurations in recirculated extraction.
- In ducted extraction configuration a one-way flap (or backflow trap) with a maximum opening pressure of 65Pa should be installed.

Serie | 6, Induction hob with integrated ventilation system, 70 cm PVQ731F15E



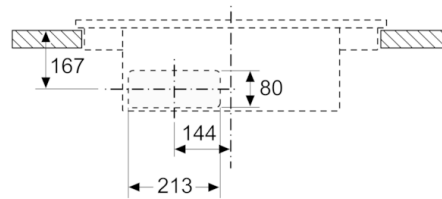
- A:** Minimum distance from the hob cut-out to the wall
- B:** Recessing depth
- C:** The worktop into which the hob is installed must withstand loads of approx. 60kg; suitable substructures must be used if required.
- D:** Cut-out in back panel required for pipework. Exact size and position can be taken from

measurements in mm
Front view

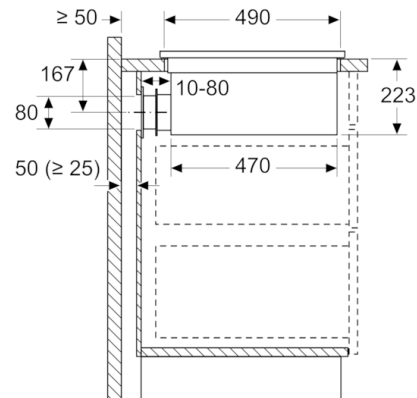


A: Connected directly at the rear

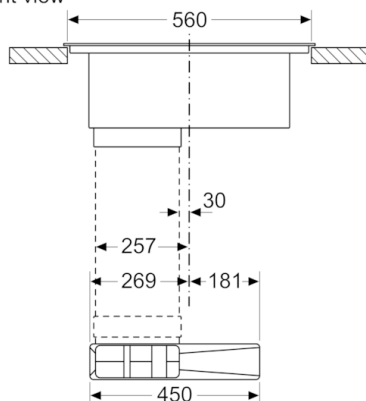
measurements in mm
Front view – unit cut-out
for unducted recirculation



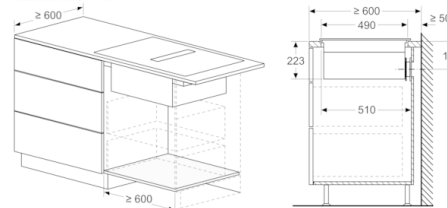
measurements in mm
Side view



measurements in mm
Front view



measurements in mm



**Serie | 6, Induction hob with integrated
ventilation system, 70 cm
PVQ731F15E**
