

MIRA FLIGHT LOW

Corner Waste Rectangular Shower Tray



Made from durable resin stone, the Mira Flight Low Corner Waste Rectangular shower trays are built to last and include the Mira Rapi-Flo Waste.



Product Information

Description	Upstand	Colour/Finish	Product No.	Riser Kit Product Code
Mira Tray 1000x800	4UPS	White	1.1697.821.WH	1.1697.033.WH
Mira Tray 1200x760	4UPS	White	1.1697.822.WH	1.1697.033.WH
Mira Tray 1200x800	4UPS	White	1.1697.823.WH	1.1697.033.WH
Mira Tray 1400x800	4UPS	White	1.1697.833.WH	1.1697.034.WH
Mira Tray 1000x800	0UPS	White	1.1697.830.WH	1.1697.033.WH
Mira Tray 1000x900	0UPS	White Antislip	TBC	1.1697.033.WH
Mira Tray 1200x760	0UPS	White	1.1697.831.WH	1.1697.033.WH
Mira Tray 1200x800	0UPS	White	1.1697.832.WH	1.1697.033.WH
Mira Tray 1200x800	0UPS	Antislip	1.1697.832.AS	1.1697.033.AS
Mira Tray 1400x800	0UPS	White	1.1697.834.WH	1.1697.034.WH

Specify as: Mira Flight Low Corner Waste Rectangular Shower Tray

If Riser Conversion Kit required to change any Flight Low tray to a riser tray, please add appropriate Riser Conversion Kit product code to each specification.

Features & Benefits

Product Features

Acrylic capped resin stone for a tougher product

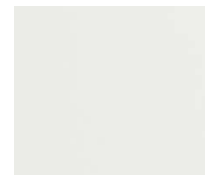
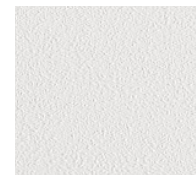
Biocote® built-in anti-microbial protection, reduces bacteria and mould by up to 99%

Includes a Mira Rapi-Flo Waste – Capacity 34 L/min

Optional Riser Conversion Kit to change any Flight Low tray to a riser tray, providing 20 mm adjustability

Available in White only

0UPS and 4UPS versions available



Antislip (AS)

White (WH)

Material

Product Material

Tray: Acrylic capped ABS resin stone

Waste: Polypropylene construction with chrome plated dome

Installation

Product Installation

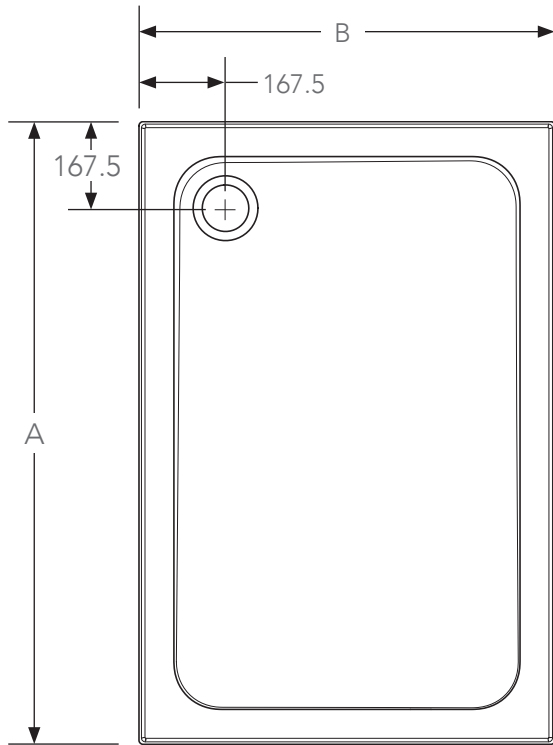
Please refer to the appropriate Installation and User Guide


Codes/Standards


Product Codes/Standards

Designed, manufactured and supported in accordance with accredited BS EN 14527:2006+A1:2010 - shower trays for domestic purposes and BS EN 274-1:2002 Waste Fittings for Sanitary Appliances

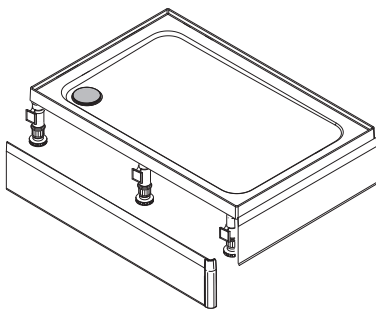
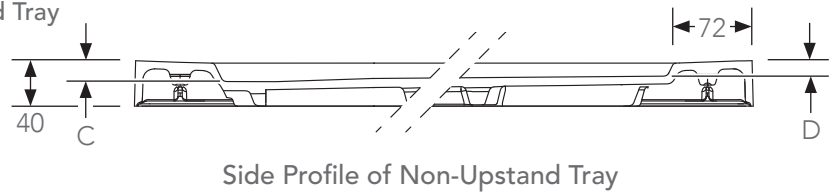
Dimensions



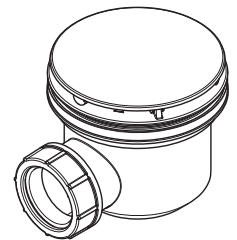
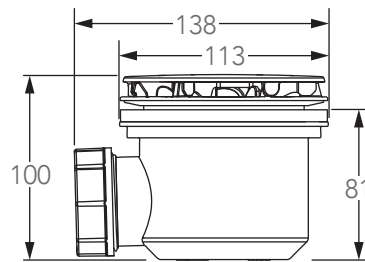
Non-Upstand Tray				
A	B	C	D	
1005	805	25	12	9
1005	905	25	12	9
1205	765	25	7	11
1205	805	25	7	11
1405	805	25	4	13

Upstand Tray				
A	B	C	D	
1005	805	25	12	9
1205	765	25	9	11
1205	805	25	9	11
1405	805	25	5	13

All Dimensions in mm



Riser Conversion Kit
(to convert any Flight tray into a riser tray. NB. Tray not included)



Mira Rapi-Flo Waste

Leg Position for Riser Conversion Kit

