

# DOCM-SEAT B

Accessories  
Aluminium Frame Shower Seat DocM  
Compliant Blue Finish



## Specification

Main Construction Material:	Alluminium
Connection Inlet:	N/A
Connection Outlet:	N/A
Contemporary or Traditional:	Traditional

## Features:

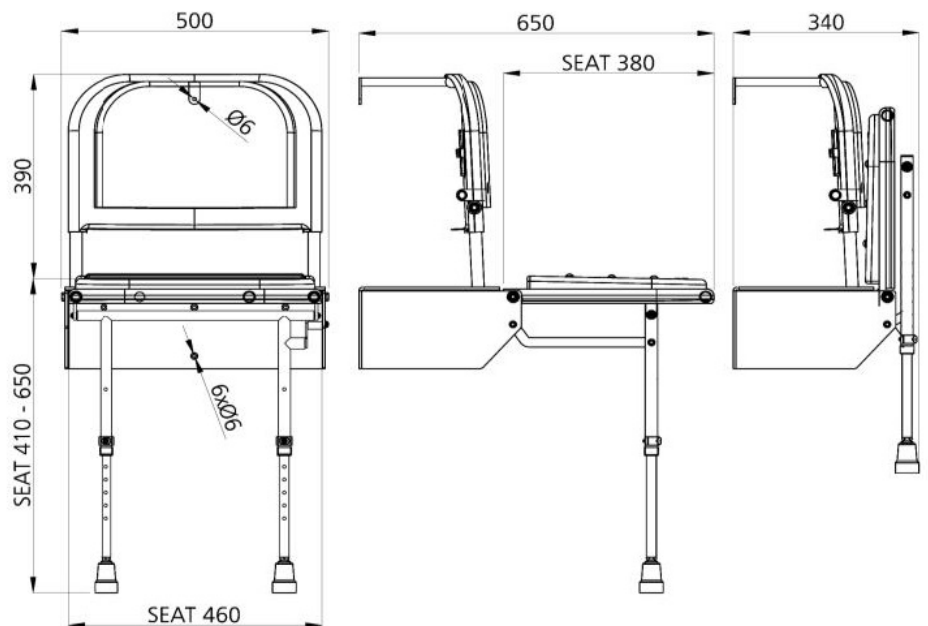
- Non corrosive aluminium construction
- Extra projection seat for easier transfer onto seat from wheelchair
- Closed cell structure PU pad for user comfort
- Height adjustable with Eclip and threaded adjustments

## Product Certifications:

For more products, visit our website:  
<http://www.bristan.com>



## Dimensions (measurements in mm)



TECHNICAL  
DATA  
SHEET



**BRISTAN**

D4