

GRAB H B

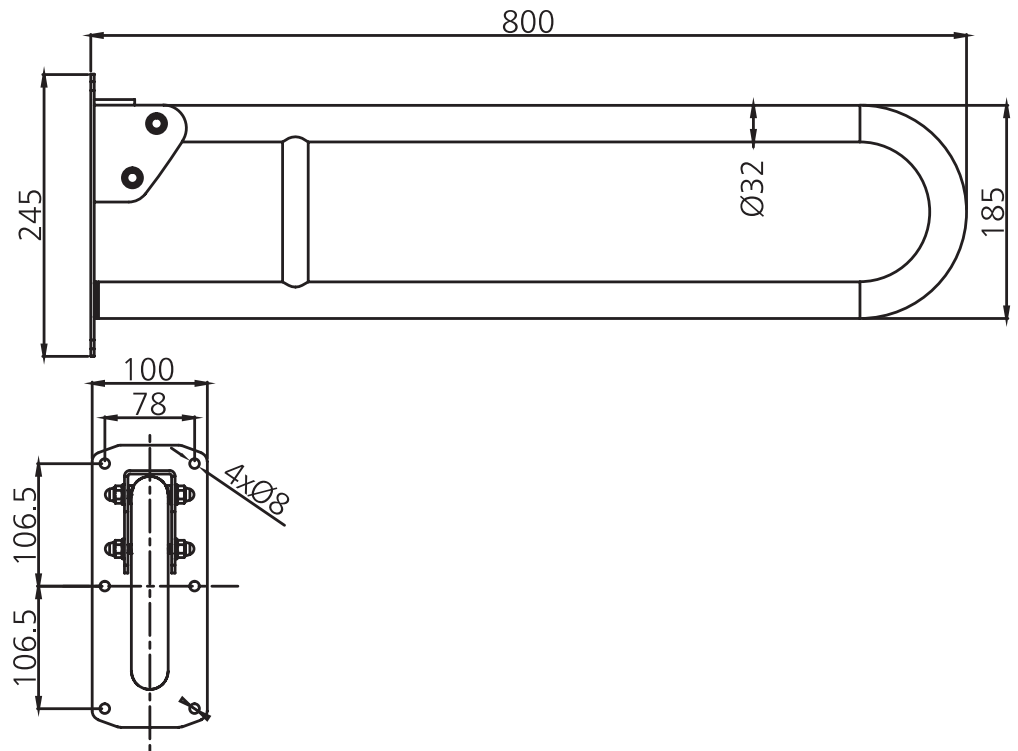
Accessories DocM Hinged Grab Rail 800mm Blue Finish



Specification

Main Construction Material:	Aluminium
Product Finish:	Blue
Deck or Wall Mounted:	Wall
Contemporary or Traditional:	Contemporary
LANTAC Approved:	Yes

Dimensions (measurements in mm)



Features:

- Non corrosive aluminium construction
- No lateral movement in hinge mechanism
- No electrical earthing required
- 160kg max user weight
- Also available in grey (RAL 7005) and stainless steel finishes as special order

Product Certifications:

For more products, visit our website:
<http://www.bristan.com>



**TECHNICAL
DATA
SHEET**



BRISTAN
TAPS & SHOWERS D2