

RUSTIQUE FIRE CLAY CERAMIC INSET OR UNDERMOUNT SINK

CRUB3315WH/



Size: 557 x 430 mm

Fitted as either an inset or undermount sink, the Rustique kitchen sink collection provides a real focal point in the kitchen and contrasts excellently to all colours and features.

- Waste kit included
- 10 year warranty

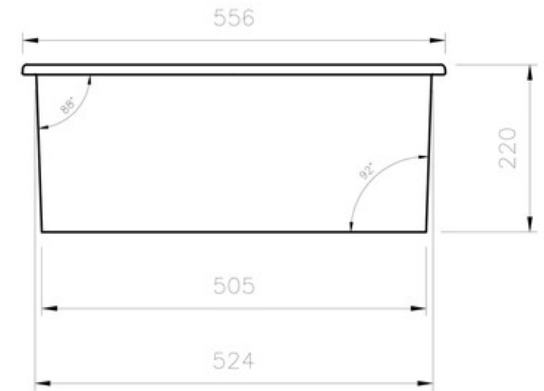
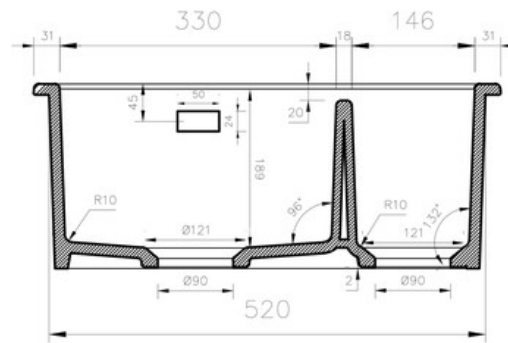
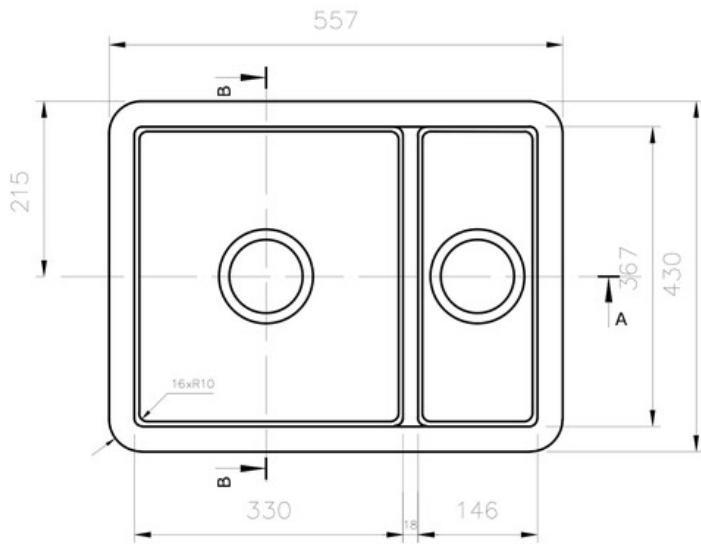
RANGemaster
sinks & taps

Material	Fire clay Ceramic
Material Gauge	
Material Finish Bowl	-
Material Finish Drainer	-
Drainer Position	
Overall Length (mm)	557
Overall Width (mm)	430
Main Bowl Length (mm)	330
Main Bowl Width (mm)	367
Main Bowl Depth (mm)	189
Second Bowl Length (mm)	146
Second Bowl Width (mm)	367
Second Bowl Depth (mm)	189
Tap hole Size (mm)	-
Waste Size (mm)	2 x 90
Waste Kit	Included with sink (2 x 90mm BSW & overflow kit)
Min. Base Unit (mm)	600
Cutout Size Length (mm)	490 / 530
Cutout Size Width (mm)	365 / 405
Warranty Sinks (years)	10
Product Code	CRUB3315WH/
Barcode	5015834052236

Date of download: August 26, 2022

AGA Rangemaster continuously seeks improvements in specification, design and production of products and thus, alterations take place periodically. Whilst every effort is made to produce up-to-date resources, the information included here is intended as a guide. Always refer to the product's installation instructions when fitting, installation work should be completed a professional tradesman.

RUSTIQUE FIRE CLAY CERAMIC INSET OR UNDERMOUNT
SINK
CRUB3315WH/
Technical Drawing



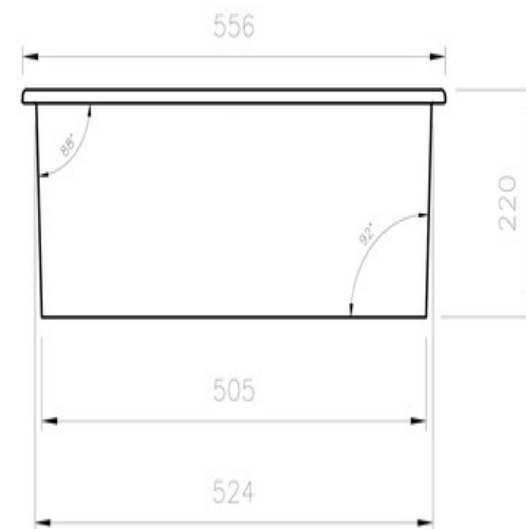
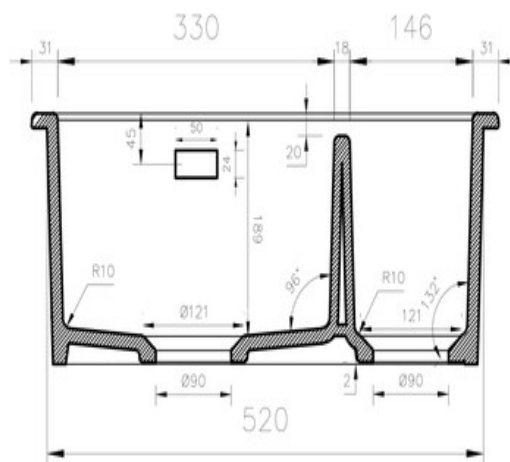
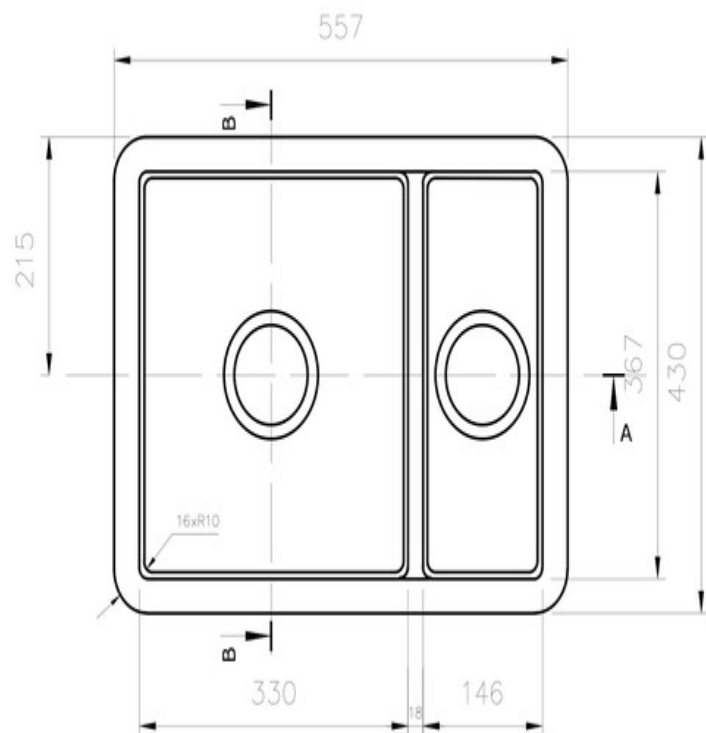
NB: Due to manufacturing processes this sink may have a +/- 4mm tolerance on the measurements.

AGA Rangemaster continuously seeks improvements in specification, design and production of products and thus, alterations take place periodically. Whilst every effort is made to produce up-to date resources, the information included here is intended as a guide. Always refer to the product's installation instructions when fitting, installation work should be completed a professional tradesman.

RUSTIQUE FIRE CLAY CERAMIC INSET OR UNDERMOUNT SINK

CRUB3315WH/

Cut Out Template
Dimensions in mm. Not to scale.



NB: Due to manufacturing processes this sink may have a +/- 4mm tolerance on the measurements.

Date of download: August 26, 2022

AGA Rangemaster continuously seeks improvements in specification, design and production of products and thus, alterations take place periodically. Whilst every effort is made to produce up-to date resources, the information included here is intended as a guide. Always refer to the product's installation instructions when fitting, installation work should be completed a professional tradesman.