

TECHNICAL DATA SHEET

Product Code: 604606

Product Description: iflo Tatton Bath Shower Mixer

Product Specification

Material:
Solid brass with a duraglead chrome finish

Fittings:
Brass back nuts

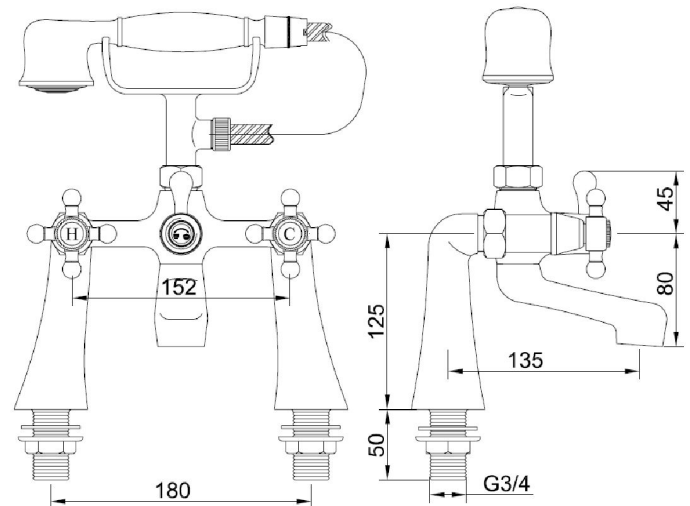
Systems:
Suitable for high and low pressure systems
Suitable for Gravity fed systems
Suitable for Unvented systems
Suitable for Combi boilers



Zoom in for clearer image

Additional Information

WRAS approved
Coordinating shower available iflo Penrose 683179



Pressure (bar)	Flow rate (l/m)			
	Hot	Cold	Mixer	Shower
0.5	29.10	26.56	45.20	8.94
1	35.53	33.15	58.55	12.90
1.5	43.27	41.37	71.12	16.35
2	50.15	47.95	78.50	19.95
3	61.32	59.45	98.57	27.22
4	71.06	68.22	109.90	34.56
5	79.37	/	/	40.42

