

N 70, BUILT-IN WARMING DRAWER, 60 X 29 CM,  
 STAINLESS STEEL  
 N34HA11N1B



#### Optional accessories

Z11SZ80X1 SeamlessCombination 60 + 29cm

Preheat plates and cups, so that dishes stay hot longer. Keep warm, for keeping cooked dishes warm.

- ✓ Slow Cook Programme - For tender meats, poultry, and vegetables packed with flavour and vitamins.
- ✓ Plate Warmer - Keep your food at the right temperature from kitchen to table.
- ✓ Cup Warmer - Prepare your cups for coffee and tea, whenever and wherever!
- ✓ Push & Pull – open or close your drawer with a gentle tap on its seamless surface

#### Features

##### Technical Data

Construction type: ..... Built-in  
 Maximum number of plates: ..... 40  
 Maximum number of espresso cups: ..... 192  
 Dimensions: ..... 290 x 594 x 518 mm  
 Dimensions of the packed product (HxWxD): . 400 x 650 x 690 mm  
 Min. required niche size for installation (HxWxD): .290 x 560 x 550 mm  
 EAN code: .....4242004266952  
 Fuse protection: .....10 A  
 Voltage: ..... 220-240 V  
 Frequency: ..... 50 Hz  
 Plug type: .....Gardy plug w/ earthing



*N 70, BUILT-IN WARMING DRAWER, 60 X 29 CM,  
STAINLESS STEEL  
N34HA11N1B*

#### Features

- Multifunctional warming drawer with the heating functions: Low temperature cooking, Keep warm, plate warming, cup warming
- Can accommodate up to:
  - -40 plates
  - -192 espresso cups

#### Design

- Graphite-Grey Edition
- Touch key operation
- Touch Control illuminated

#### Programmes/functions

- Temperature control in 4 levels: ca. 30°C - 80°C (glass surface temperature)
- User-friendly electronics: extremely
- easy and comfortable operation
- Favourites button - manage via Home Connect app
- Push-Pull opening mechanism
- Easy to clean toughened glass heating plate

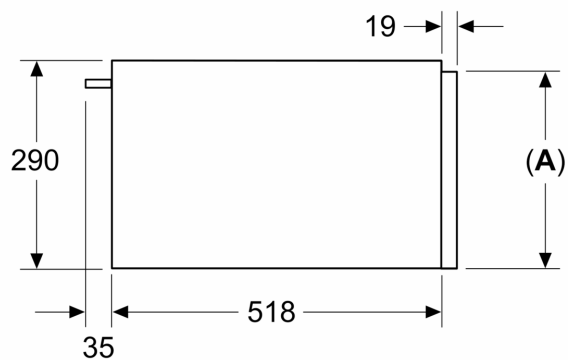
#### Performance/technical information

- Nominal voltage: 220 - 240 V
- Total connected load electric: 0.82 KW
- Cavity volume: 54 l
- Loading up to 25 kg
- Appliance dimension (hxwxd): 290 mm x 594 mm x 518 mm
- Niche dimension (hxwxd): 290 mm x 560 mm - 568 mm x 550 mm
- In case of installation under the worktop, installation accessory spare part no. 9001698838 is needed.
- Please refer to the dimensions provided in the installation manual

N 70, BUILT-IN WARMING DRAWER, 60 X 29 CM,  
STAINLESS STEEL  
N34HA11N1B

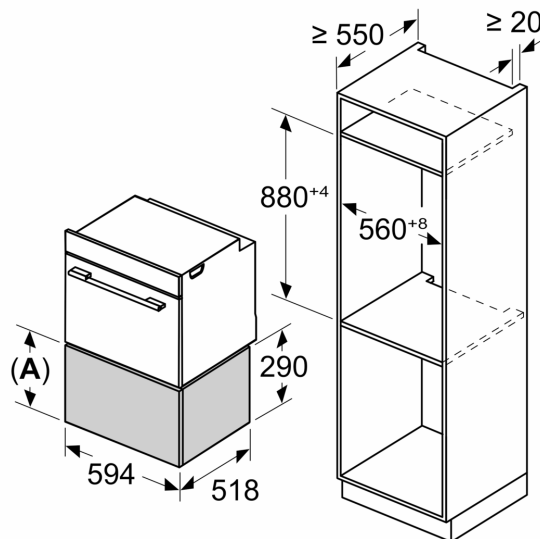
Dimensioned drawings

Measurements in mm



**A: 287.5 mm**  
Ovens with appliance height of 595 mm can be installed above the warming drawer without an intermediate floor

Measurements in mm



**A: 287.5 mm**