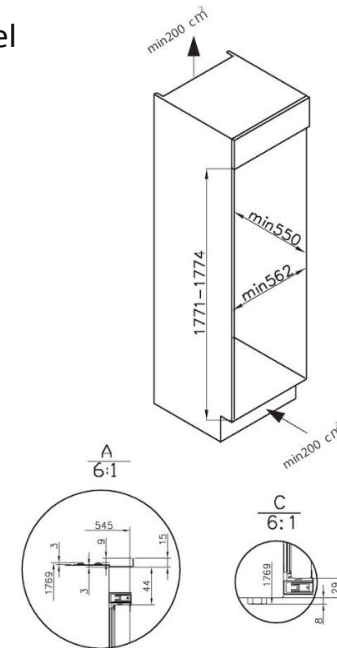


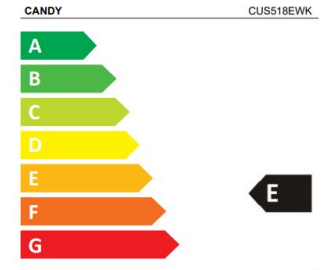


Integrated Tall Freezer

- Energy Efficiency: E
- Connectivity: None
- Capacity: 200L
- Lighting: None
- Cooling Technology: Static
- Defrost Process: Manual
- Control System: External control panel
- Super Freezing: No
- Holiday Function: No
- Door Alarm: No
- Noise Level: 39 dB
- Door Fitting: Sliding fittings
- Reversible Hinge: Yes



34BIAFIX



190 kWh/annum



204 L



L



Weights & Dimensions:

(H)1769 (W)540 (D)545

Net Weight: 67KG

Gross Weight: 72.5KG

8 Digit code: 37900594

Barcode: 8059019079370