

ZI SHXSMCT C

SAFETOUCH Shower Range Zing Safe Touch Bar Mixer SM Kit



Features:

- G1/2" inlet connections
- Thermostatic cartridge with preset temperature stop at 38°C, can be over-riden to a maximum of 46°C
- Cold water feed surrounds the hot water to ensure the valve is safe to touch by all the family
- Includes 1.5m hose, rub-clean anti-limescale handset and hose retainer

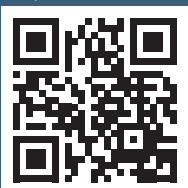
Product Certifications:



WRAS Cert. Number: 2001912
WRAS Expiry Date: 31/01/2025



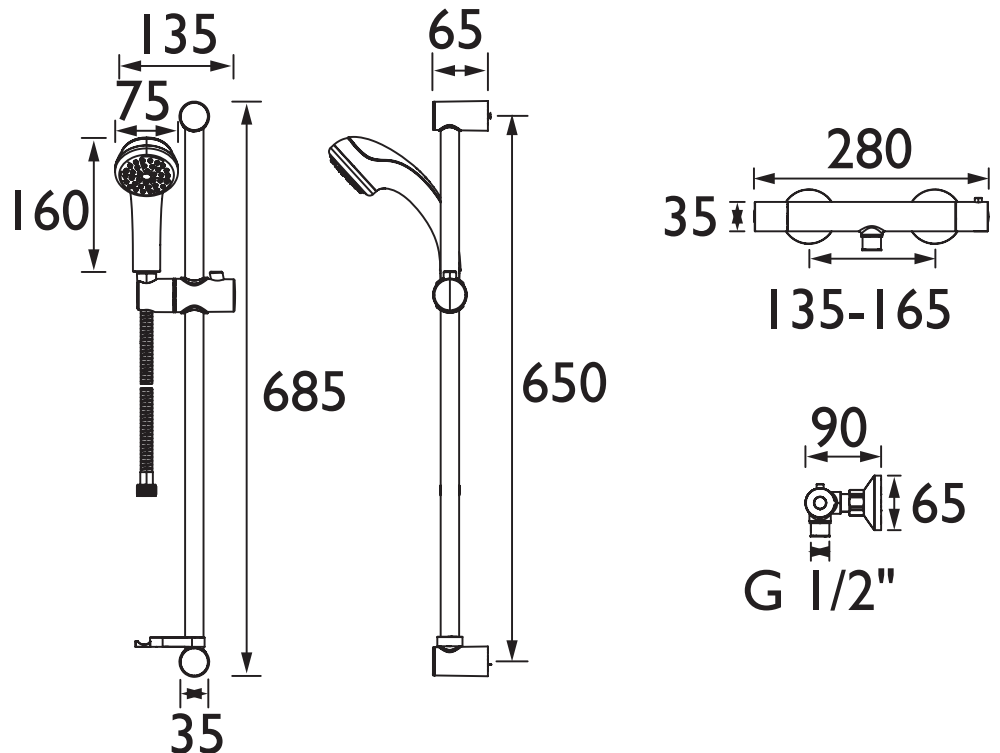
For more products, visit our website:
<http://www.bristan.com>



Specification

Style:	Contemporary
Finish/Colour:	Chrome
Main Construction Material:	Brass
No of Controls:	2
Shower Type:	Bar Shower
Shower Head Type:	Adjustable Handset
Valve/Cartridge Type:	Thermostatic Cartridge
Maximum Hot Water Supply Temperature °C:	65
Maximum Static Pressure: (bar)	10
Plumbing System Suitability:	All - Ideally Balanced
Minimum Dynamic Pressure:	0.2 Bar
Maximum Dynamic Pressure:	5.0 Bar
Connection Inlet:	15mm Compression
Connection Outlet:	G 1/2"
Isolation Valve Included:	No
Check Valve Included:	Yes

Dimensions (measurements in mm)



Flow Rates (l/min)

System Pressure (bar)	0.2	0.5	1	2	3	5
Through Handset (mixed)	4	7	10.2	14.4	17.7	22.8

TECHNICAL DATA SHEET



BRISTAN