



Manual for installation,  
use and maintenance

---

**MXM21BL**

**MXM21SS**

Microwave Oven

# Contents

- 3 Specifications
- 4 Important Safety Instructions
- 10 Setting up your microwave
- 11 Installation
- 15 Operation Instructions
- 18 Troubleshooting

## Precautions to avoid possible exposure to excessive microwave energy

WARNING: Do not attempt to operate this microwave with the door open since this can result in harmful exposure to microwave energy. It is important not to break or tamper with the safety lock system.

WARNING: Do not place any object between the oven front face and the door or allow soil or cleaner residue to accumulate on sealing surfaces.

WARNING: If the door or door seals are damaged, the microwave must not be operated until it has been repaired by a competent person.

## Specifications

Model	MXM21BL, MXM21SS
Rated Voltage	240V~/50Hz
Rated Input Power (Microwave)	1300W
Rated Output Power (Microwave)	800W
Capacity	21L
External Dimensions	595x338x384mm

This appliance is not intended to be operated by means of an external timer or separate remote-control system.

This appliance is intended to be used in household and similar applications such as:

- Staff kitchen areas in shops, offices and other working environments
- Farm houses
- By clients in hotels, motels and other residential type environments
- Bed and breakfast type environments

# Important Safety Instructions

To reduce the risk of fire, electric shock, injury to persons or exposure to excessive microwave energy when using your appliance, follow basic precautions, including the following:

1. Warning: Liquids and other foods must not be heated in sealed containers since they are liable to explode
2. Warning: It is hazardous for anyone other than a qualified engineer to carry out any service or repair operation that involves the removal of a cover which gives protection against exposure to microwave energy.
3. Warning: Only allow children to use the oven without supervision when adequate instructions have been given so that the child is able to use the oven in a safe way and understand the hazards of improper use.
4. Warning: When the appliance is operated in the combination mode, children should only be permitted to use the oven under adult supervision, due to the temperatures generated (only for grill series).
5. Only use utensils suitable for use in microwave ovens.
6. The oven should be cleaned regularly and any food deposits should be removed.
7. Read and follow the specific: "PRECAUTIONS TO AVOID POSSIBLE EXPOSURE TO EXCESSIVE MICROWAVE ENERGY".
8. When heating food in plastic or paper containers, keep an eye on the oven due to the possibility of ignition.
9. If smoke is observed, switch off or unplug the appliance and keep the door closed in order to stifle any flames.
10. Do not overcook food.
11. Do not use the microwave cavity for storage purposes. Do not store items, such as bread, cookies etc. inside the oven.
12. Remove wire twist-ties and metal handles from paper or plastic containers/bags before placing them in the microwave.
13. Install or locate this microwave only in accordance with the installation instructions provided.
14. Eggs in the shell or whole hard-boiled eggs should not be heated in microwave ovens since they may explode, even after microwave heating has ended.

15. Use this appliance only for its intended uses as described in manual. Do not use corrosive chemicals or vapours in this appliance. This oven is especially designed to heat food and beverages. It is not designed for industrial or laboratory use.
16. If the supply cord is damaged, it must be replaced by the manufacturer, its service agent or similarly qualified persons in order to avoid a hazard.
17. Do not store or use this appliance outdoors.
18. Do not use this oven near water, in a wet basement or near a swimming pool.
19. The temperature of accessible surfaces may be high when the appliance is operating. Keep cord away from heated surface, and do not cover any vents on the oven.
20. Do not let the mains cord hang over edge of table or counter.
21. Failure to maintain the oven in a clean condition could lead to deterioration of the surface that could adversely affect the life of the appliance and possibly result in a hazardous situation.
22. The contents of feeding bottles and baby food jars shall be stirred or shaken and the temperature checked before consumption, in order to avoid burns.
23. Microwave heating of beverages can result in delayed eruptive boiling, therefore take care when handling the container.
24. The appliance is not intended for use by persons (including children) with reduced physical, sensory or mental capabilities, or lack of experience and knowledge, unless they have been given supervision or instruction concerning use of the appliance by a person responsible for their safety.
25. Children should be supervised to ensure that they do not play with the appliance. This appliance can be used by children aged from 8 years and above and persons with reduced physical, sensory or mental capabilities or lack of experience and knowledge if they have been given supervision or instruction concerning use of the appliance in a safe way and understand the hazards involved. Children shall not play with the appliance. Cleaning and user maintenance shall not be made by children without supervision.
26. The microwave oven shall not be placed in a cabinet.
27. The microwave oven is intended for heating food and beverages.

Drying of food or clothing and heating of warming pads, slippers, sponges, damp cloth and similar may lead to risk of injury, ignition or fire. Don't immerse the appliance in water or other liquid when cleaning. The appliance shall not be cleaned with a steam cleaner.

## To reduce risk of injury to persons

### **Earthing installation**

**WARNING:** Electric Shock Hazard - Touching some of the internal components can cause serious injury or death. Do NOT disassemble this appliance.

**WARNING:** Electric Shock Hazard- Improper use of the earthing can result in electric shock. Do not plug into an outlet until the appliance is properly installed and earthed.

This appliance must be earthed. In the event of an electrical short circuit, earthing reduces the risk of electric shock by providing an escape wire for the electric current. This appliance is equipped with a cable with an earth wire and with an earthed plug. The plug must be plugged into an outlet that is properly installed and earthed. Consult a qualified electrician or service agent if the earthing instructions are not completely understood or if doubt exists as to whether the appliance is properly earthed. If it is necessary to use an extension cable, use only a 3-pin plug extension cable.

1. A short power-supply cable is provided to reduce the risks resulting from becoming entangled in or tripping over a longer cable.
2. If a longer extension cable is used:
  - The marked electrical rating of the cable or extension cable should be at least as per the electrical rating of the appliance.
  - The extension cable must be an earthed cable with a 3-pin plug.
  - A long cable should be arranged so that it will not drape over the counter top or tabletop where it can be pulled by children or tripped over unintentionally.

## Cleaning

Disconnect the oven from the power supply.

1. Clean the inside of the microwave after using with a slightly damp cloth.
2. Clean the accessories in soapy water.
3. The door frame and seal and neighbouring parts must be cleaned carefully with a damp cloth.

## PERSONAL INJURY HAZARD

It is hazardous for anyone other than a competent person to carry out any service or repair operation that involves the removal of a cover which gives protection against exposure to microwave energy.

## Utensils

See the instructions on “Materials you can use in the microwave or to be avoided in the microwave.” There may be certain non-metallic utensils that are not safe to use for microwaving. If in doubt, you can test the utensil in question following the procedure below.

## Materials you can use in the microwave

Browning Dish	Follow manufacturer’s instructions. The bottom of browning dish must be at least 3/16 inch (5mm) above the turntable. Incorrect usage may cause the turntable to break.
Dinnerware	Microwave-safe only. Follow manufacturer’s instructions. Do not use cracked or chipped dishes.
Glass Jar	Always remove lid. Use only to heat food until just warm. Most glass jars are not heat resistant and may break.
Glassware	Heat-resistant oven glassware only. Make sure there is no metallic trim. Do not use cracked or chipped dishes.

Oven Cooking Bags	Follow manufacturer’s instructions. Do not close with metal tie. Make slits to allow steam to escape.
Paper Plates & Cups	Use for short–term cooking/warming only. Do not leave microwave unattended while cooking.
Paper Towels	Use to cover food for reheating and absorbing fat. Use with supervision for a short-term cooking only.
Parchment Paper	Use as a cover to prevent splattering or a wrap for steaming.
Plastic	Microwave-safe only. Follow the manufacturer’s instructions. Should be labelled “Microwave Safe”. Some plastic containers soften, as the food inside gets hot. “Boiling bags” and tightly closed plastic bags should be slit, pierced or vented as directed by package.
Plastic Wrap	Microwave-safe only. Use to cover food during cooking to retain moisture. Do not allow plastic wrap to touch food.
Thermometers	Microwave-safe only (meat and candy thermometers).
Wax Paper	Use as a cover to prevent splattering and retain moisture.

## **Materials to be avoided in the microwave**

Aluminium Tray	May cause arcing. Transfer food into microwave-safe dish.
Food Carton with Metal Handle	May cause arcing. Transfer food into microwave-safe dish.
Metal or Metal-trimmed Utensils	Metal shields the food from microwave energy. Metal trim may cause arcing.
Metal Twist Ties	May cause arcing and could cause a fire in the microwave.

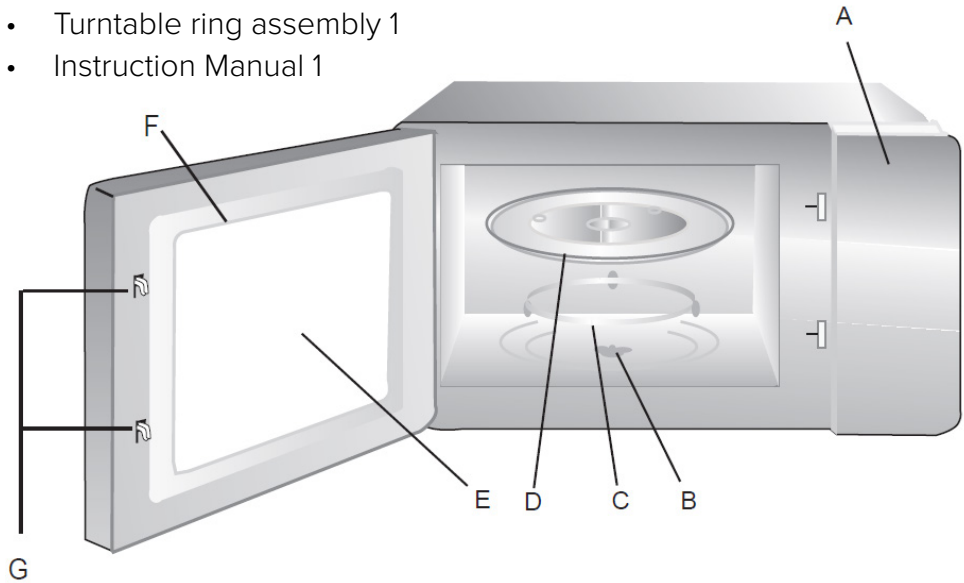
Paper Bags	May cause a fire in the microwave
Plastic Foam	Plastic foam may melt or contaminate the liquid inside when exposed to high temperature.
Wood	Wood will dry out when used in the microwave oven and may split or crack.

# Setting up your microwave

## Names of Microwave parts and accessories

Remove the microwave and all materials from the carton box and cavity. Your microwave comes with the following accessories:

- Glass tray 1
- Turntable ring assembly 1
- Instruction Manual 1



A) Control Panel

B) Turntable Shaft

C) Turntable Ring Assembly

D) Glass Tray

E) Observation Window

F) Door Assembly

G) Safety Lock System

- Shut off power if the door is opened during operation.
- Never place the glass tray upside down. The glass tray should never be restricted.
- Both glass tray and turntable ring assembly must always be used during cooking.
- All food and containers of food are always placed on the glass tray for cooking.
- If glass tray or turntable ring assembly cracks or breaks, contact your nearest authorized service centre.

# Installation

1. Remove any protective film found on the microwave oven cabinet surface, do not remove the light white Mica cover that is attached to the oven cavity to protect the magnetron.
2. This microwave is intended for built-in use only. It is not intended for counter-top use or for use inside a cupboard.
3. The appliance can be installed in a 60cm wide wall-mounted cupboard(at least 55cm deep).
4. The appliance is fitted with a plug and must only be connected to a properly installed earthed socket.
5. The mains voltage must correspond to the voltage specified on the rating plate.
6. The socket must be installed and connecting cable must only be replaced by a qualified electrician. If the plug is no longer to accessible following installation,an all-pole disconnecting device must be present on the installation side with a contact gap of at lease 3mm.
7. Adapters, multi-way strips and extension leads must not be used. Overloading can result in a risk of fire.

Continued on next page

# Necessary component list for installation

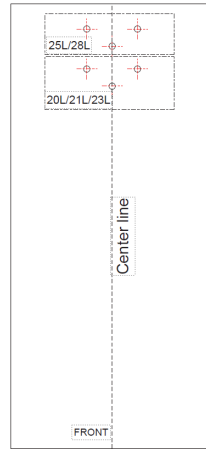
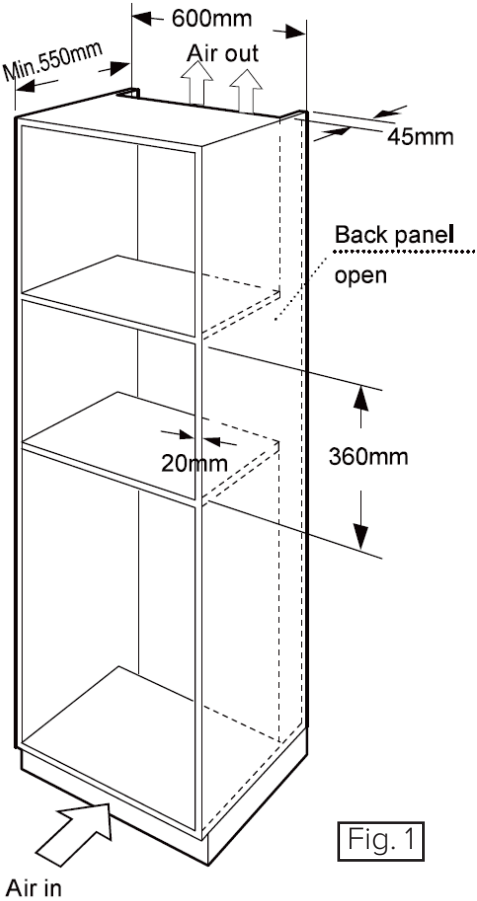
Cabinet (with necessary dimensions) (Fig. 1)

Installation template (Fig. 2)

Steel plate to be fixed on lower plate of microwave (Fig. 3)

Steel plate to be fixed on lower plate of cabinet (Fig. 4)

Screws (Fig. 5, 6 & 7)



## Checkpoints before installation

1. Check the 4 screws (Upper 2 pieces, Lower 2 pieces) fixing trim kit to the microwave whether be fastened.
2. The front face of door panel and the front face of trim kit should be on even surface. In case, the two plate surface would not be on even surface, loosen the screws which are fixing the trim kit to the microwave oven and then adjust the trim kit surface.
  - Uneven panel surface between door and trim kit would cause interference of the two parts.
3. Left, right, lower and upper gap between microwave and trim kit should be even. Left gap would be a bit bigger than right gap.
4. In the case that any gap would not be even, loosen the screws which is fixing the trim kit to the microwave oven and then adjust the gap moving the trim kit into the right and left or up and down.

## Installation procedure

1. Mark a centre line of cabinet on the lower plate of cabinet.
2. Put the Installation Template (Fig. 2) on the lower plate of the cabinet and align the centre line between installation template and the centre line of cabinet.

3. Fix the steel plate (Fig. 3) to the lower plate of the microwave using 2 screws (Fig. 6) as shown in Fig. 8.

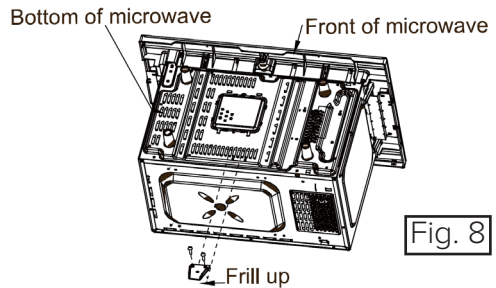


Fig. 8

4. Fix the Steel Plate (Fig. 4) to the lower plate of the cabinet using 3 screws (Fig. 6) as shown in Fig. 9.
  - Once the Steel Plate is fixed, remove the installation template from the cabinet.

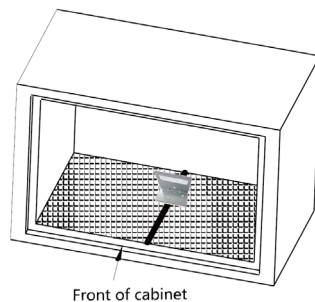
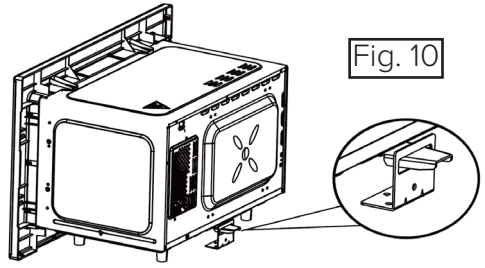
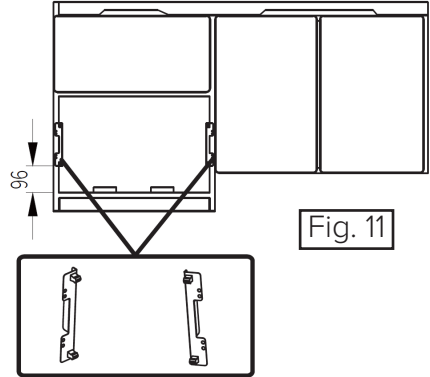


Fig. 9

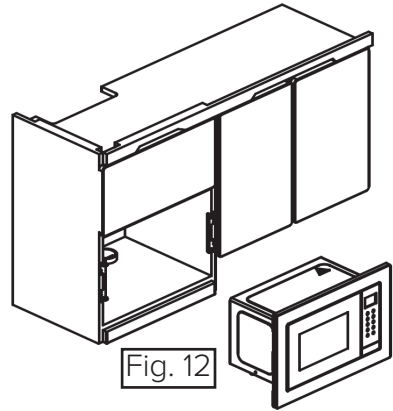
- Put the microwave into the cabinet and insert steel plate (Fig. 3) into the rectangular hole of the other steel plate (Fig. 4) as shown in Fig. 10.



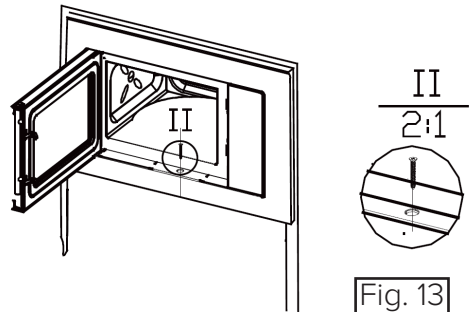
- Install the accessory bracket onto the cabinet, with the lowest point of the bracket at a distance of 96mm mm, fixed with 4 screws (Fig. 6).



- Push the microwave onto the clamp.



- Fix the microwave to the bottom of the cabinet using the large screw (Fig. 7) as shown in Fig 13.



# Operation instructions

## 1. Clock Setting

When the microwave is powered on, the LED display will show “0:00” and the buzzer will ring once.

1. Press “Clock” twice, the hour figures will flash.
2. Turn the dial to adjust the hour figures, the input time should be within 0 -23.
3. Press “Clock” once, the minute figures will flash.
4. Turn the dial to adjust the minute figures, the input should be within 0-59.
5. Press “Clock” to finish setting the time. “:” will flash and the time will be set.

Note:

- If the clock is not set, it will not function when turned on.
- During the process of setting the time, if you press “Stop/Clear” the microwave will automatically go back to the previous status.

## 2. Microwave Cooking

Press “Power”, the LED will display “P100”. Press 1 to 4 times to choose the power you want, and “P100”, “P80” “P50”, “P30 “ or “P10” will display for each. Then turn and press the dial to set the cooking time from 00:05 to 95:00. Press “Start/+30Sec” to start cooking.

1. Press “Power” once, the screen will display “P100”.
2. Press “Power “ once again to choose “P80” microwave power.
3. Turn “ to adjust the cooking time until the oven displays “20:00”.
4. Press “ Start/+30Sec.” to start cooking.

Note: the step quantities for the adjustment time of the coding switch are as follow:

0 to 1 min: 5 seconds

1 to 5 min: 10 seconds.

5 to 10 min: 30 seconds

10 to 30 min: 1 minute

30 to 95 min: 5 minutes

Order	Display	Microwave Power
1	P100	100%
2	P80	80%
3	P50	50%
4	P30	30%
5	P10	10%

### 3. Quick Start

1. When in standby, press “Start/+30Sec.” to start cooking with 100% power, each press will increase 30 seconds cooking time up to 95 minutes.
2. When in microwave, cooking or defrost functions, each press of “Start/-30Sec.” can add 30 seconds to the cooking time. Excluding defrost by weight and auto menu.
3. When in standby, turn the dial anti-clockwise to set cooking time with 100% microwave power, then press”Start/+30Sec.” to start cooking.

### 4. Defrost by Weight

1. Press “Defrost” once, and the oven will display “dEF1”
2. Turn the dial to select the weight of food from 100 to 2000g.
3. Press “Start/+30Sec.” to start defrosting.

### 5. Defrost By Time

1. Press “Defrost” twice, and the oven will display “dEF2”
2. Turn the dial to select the defrost time.
3. Press “Start/+30Sec.” to start defrosting

### 6.Menu

1. Press “Program” to choose the menu, and “A1” to “A8” will display, see the menu chart on the next page for information about the programmes.
2. Turn the dial to choose the default weight, following the menu chart.
3. Press “Start/+30Sec.” to start cooking.

Example: If you want to use “Program” to cook 400g of vegetables

1. Press “Program” six times, “A6” will display.
2. Turn the dial to select the weight of vegetable until “400” displays.
3. Press “Start/+30Sec.” to start cooking.

## Menu Chart

Menu	Weight	Display
A1 Cake	200g	200g
	475g	475g
A2 Pizza	200g	200g
	400g	400g
A3 Soup	200g	200g
	400g	400g
	600g	600g
A4 Meat	200g	200g
	400g	400g
	600g	600g
A5 Pasta	50g	50g
	100g	100g
	150g	150g
A6 Vegetables	200g	200g
	400g	400g
	600g	600g
A7 Potatoes	250g	250g
	500g	500g
	750g	750g
A8 Reheat	200g	200g
	400g	400g
	600g	600g

## 7. Timer

1. Press “Timer” once, and the LED will display “0:00”
2. Set timer using the dial.
3. Press “Start/+30Sec.” to start the timer.
4. The buzzer will ring when the time count down.

## 8. Inquiring Function

1. When in cooking function, press “ Clock “, the current time will be displayed for 3 seconds.
2. When in microwave function, press “Power” and the current power will be displayed for 3 seconds.

## 9. Child-lock

When in standby, press “Stop/Clear “ for 2 seconds, there will be a long beep noting the activation of child-lock and the locked indicator will display if the time has been set, otherwise, the display will show “**[ : : ]**”

Removing child-lock: When locked, press “Stop/Clear “ for 3 seconds, there will be a long beep noting that the lock is released.

# Troubleshooting

Microwave oven interfering TV reception: Radio and TV reception may be interfered with when microwave oven operating. It is similar to the interference of small electrical appliances, like mixer, vacuum cleaner, and electric fan. It is normal.

Dim oven light: In low power microwave cooking, oven light may become dim. It is normal.

Steam accumulating on door, hot air out of vents: In cooking, steam may come out of food. Most will get out from vents. But some may accumulate on cool place like oven door. It is normal.

Oven started accidentally with no food in: It is very dangerous. It is forbidden to run the unit without any food inside.

Problem	Possible Cause	Remedy
Microwave cannot be started	Power cord not plugged in correctly	Unplug, then plug in again after 10 seconds
	Fuse blown or circuit breaker works	Replace fuse or reset circuit breaker
	Trouble with outlet	Test outlet with other electrical appliances
Microwave does not heat	Door not closed properly	Close door properly
Glass turntable makes noise when microwave operates	Dirty roller, rest and/or cavity bottom	Clean microwave and accessories (see pg. 7)

According to the Waste of Electrical and Electronic Equipment (WEEE) directive, WEEE should be separately collected and treated. Therefore, if at any time in future you need to dispose of this product please do NOT dispose of it together with household waste. Please send this product to WEEE collecting points where available.





Serviced by



**For service or queries relating to your product please contact:**

The Customer Care Department on **01949 862 012** or email **customer.care@cda.co.uk**

**For more information please contact:**

The Sales Department on **01949 862 010** or email **sales@cda.co.uk**

**Customer Care Department.** The CDA Group Ltd, Harby Road, Langar, Nottinghamshire, NG13 9HY T: 01949 862 012 **F:** 01949 862 003 **E:** customer.care@cda.co.uk