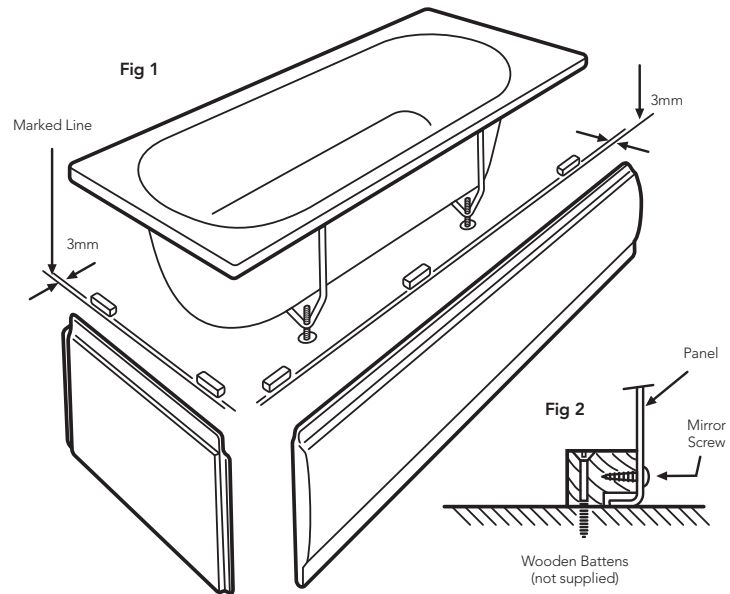


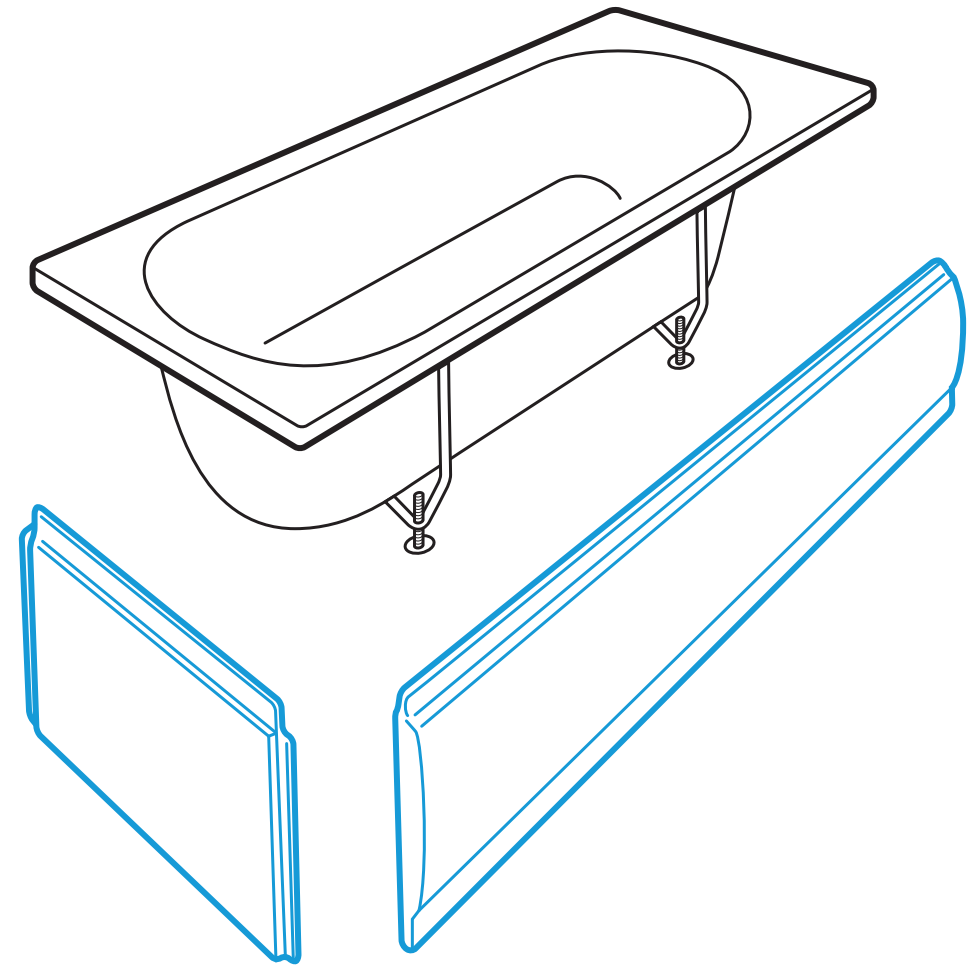
Bath Panel Fixing Installation Instructions

Panel fitting instructions



Quality Panels
Manufactured in the UK

Bath Panel Fixing Installation Instructions



Bath Panel Fixing Installation Instructions

Before you start

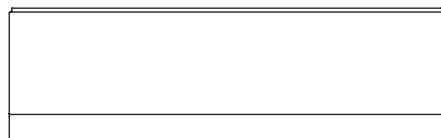
- Before fixing panel remove ALL protective covering and examine carefully. The polythene film must be removed in full and the panel checked for any visible damage.
- Unpack and check the product is complete and undamaged.
- Have the correct tools available.

Disclaimer

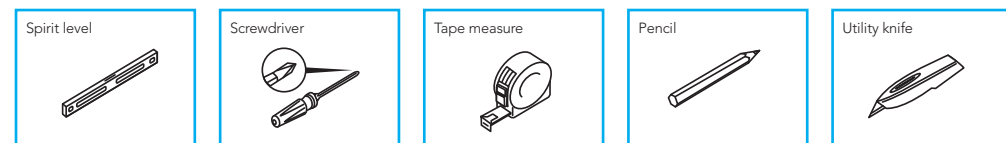
- Prior to fitting your panel, carefully remove all the packaging and film from the panel and examine the bath for damage and suitability of colour match.
- Check the panel fit and match prior to installation.
- Any refixing costs or claims for wrong colour match, and/or any other faults will not be accepted after fixing.

No claims for the above will be accepted once the panel is fitted

Fig. A

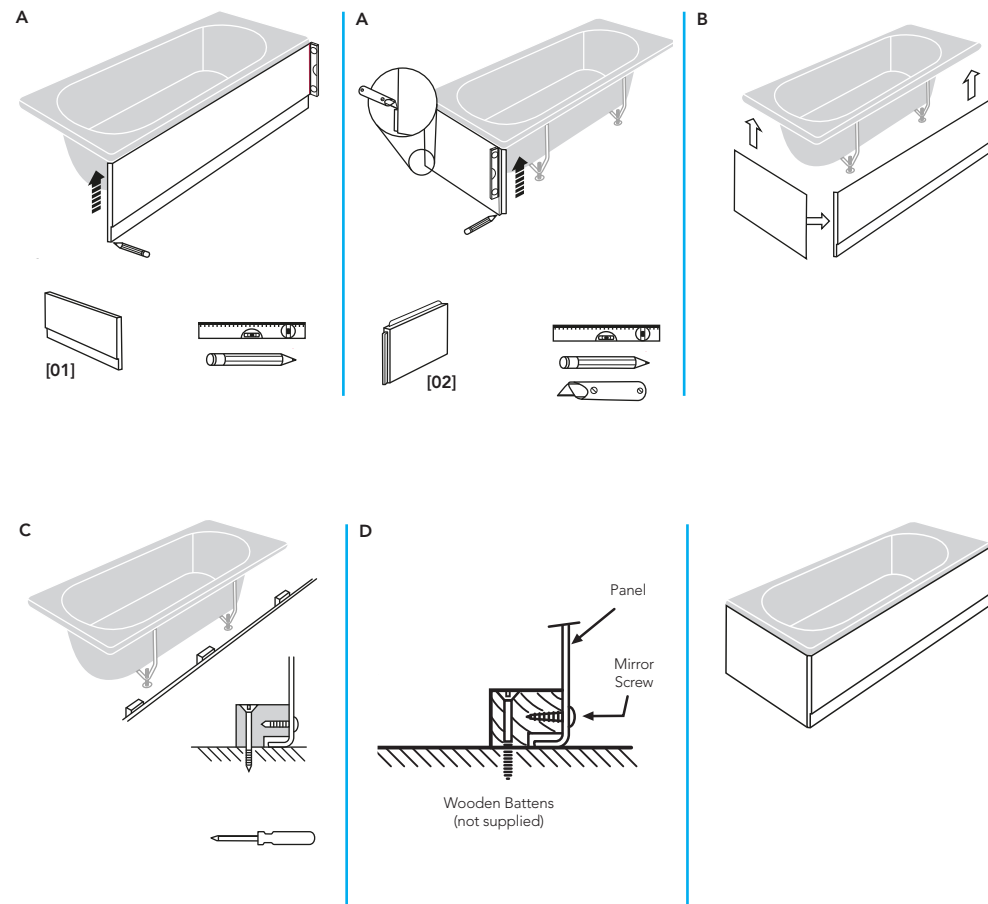


Tools required – not supplied



You will also require a piece of timber and some wooden rebated blocks

Panel fitting instructions



Should the cutting of panels be necessary (due to water pipes or skirting boards) a small fine toothed saw or sharp knife is recommended.

- Fit both panels in position, locate top flanges of the panels between bath frame and rim of bath.
- Ensure that both panels are set vertical and that the end panel is located behind the front panel at corner joint.

- To secure the panel to the wall use a piece of timber secured to the wall vertically. For the floor we recommend some rebated blocks set equal distances apart.
- Small mirror screws can be used to secure the panel against the timber. Alternatively Velcro or Magnetic strips will secure in a neat fashion.

Illustrations and specifications are for reference only.