



Rhea

Wall Hung Pan

Installation Instructions

25 YEAR GUARANTEE

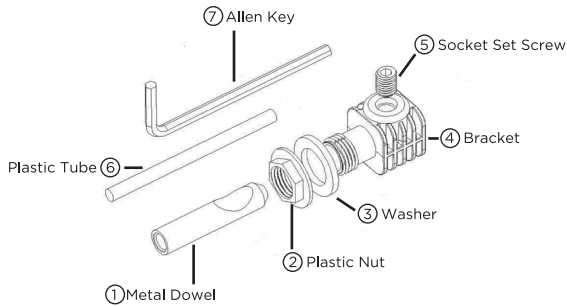


Please note: Images shown are for illustration purposes only.

107279

Installation Instructions

Rhea Wall Hung Pan Fixing Set

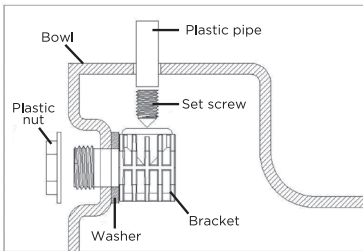


Contents

| Item | Description | Qty | Type/Size |
|------|------------------|-----|-----------|
| 1 | Metal Dowel | 2 | M16 x 70 |
| 2 | Plastic Nut | 2 | |
| 3 | Washer | 2 | |
| 4 | Bracket | 2 | |
| 5 | Socket Set Screw | 2 | Din914 |
| 6 | Plastic Pipe | 2 | |
| 7 | Allen Key | 1 | 6mm |

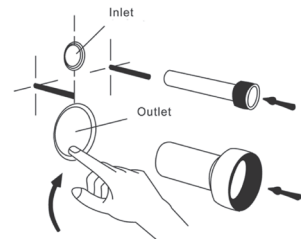
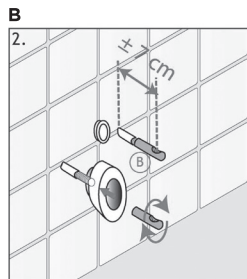
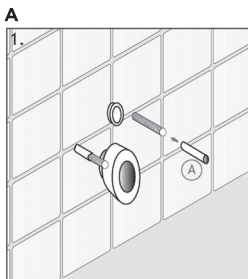
TOOLS AND MATERIALS REQUIRED (Not supplied)

- Frame (not supplied)
- Tape measure
- Putty knife
- Tube cutter
- Screwdriver
- Adjustable wrench
- Level
- Metal file (file cut)
- Hacksaw
- Silicone sealant



- Install fixing bracket (4) using the plastic pipe (6) attached to the set screw (5) to ensure the set screw is aligned with the toilet seat fitting holes. - This will ensure alignment when using the allen key to tighten the set screws later
- Fit washer (3) and tighten plastic nut (2)

PAN TO FRAME INSTALLATION



Please use instructions included with the frame you have purchased.

Caution: Before drilling into any walls, check that there are no hidden cables or pipes.

Exercise great care when using power tools near water. The use of a residual current device (RCD) or cordless drill is recommended. Always double-check the position and your measurements before drilling holes. Protective eyewear should be used when drilling and handling glass.

Keep children away from the work area and remember that all small parts, plastic bags and tools should also be kept out of reach of children.

Fixing tip: A piece of insulating tape or a couple of layers of masking tape applied to the wall before marking out the fixing holes will help stop the drill from wandering on tiled surfaces.

Installation Instructions

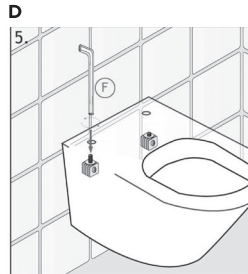
Rhea Wall Hung Pan Fixing Set



Pan to Frame Installation

IMPORTANT

Make sure frame is securely fixed to the floor or solid wall only (not stud wall). After tightening the set screws remove the plastic tubes before installation of the toilet seat.



Apply sealant to make sure the pan seals to the wall.

Cleaning Advice: Use non-abrasive materials to clean wall hung toilet.

Customer Support:

We have taken great care to ensure that this product reaches you in perfect condition. However, should any parts be damaged or missing please contact your local branch. This does not affect your statutory rights. In addition if you require replacement parts, your local branch will be only to happy to assist.

JB73417 06/13