

# TECHNICAL DATA SHEET

## Product Details

Product 604582

Code: Cross Head Bath Taps

Description: Solid Brass with Chrome finish

Material: High Grade Chrome

Finish: Zinc Back Nuts

Fittings: Gravity Fed Systems

Suitability: Unvented Systems  
Combination Boilers  
2 Years

Guarantee:



## Additional Information

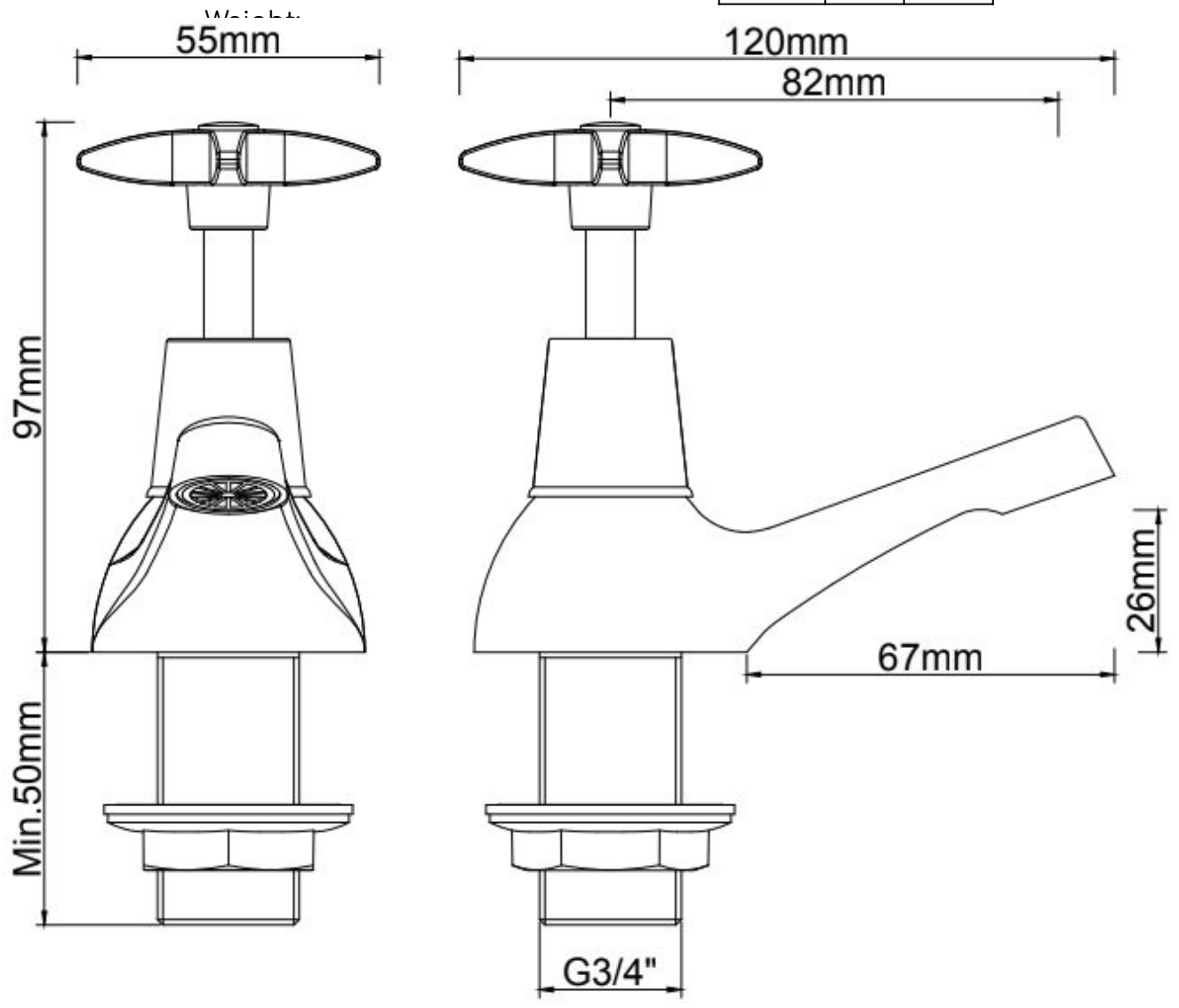
- Always inspect before installation
- Do NOT install product if any visible defects are present, this will invalidate the guarantee and the product cannot be returned.
- Do NOT clean with abrasive cleaning products
- Suitable for both high and low pressure systems
- Use at water supply, pressures from 0.1 to 5 bar
- WRAS approved

# TECHNICAL DATA SHEET

## Measurements

- Width: 55mm
- Depth: 120mm
- Height: 97mm
- Spout Height: 26mm
- Spout 77mm
- Length: 1kg

Pressure (Bar)	Flow Rate (L/M)	
	Hot	Cold
0.1	7.26	7.31
0.2	11.12	10.98
0.3	13.93	13.86
0.4	16.32	16.05
0.5	18.21	18.02
1	23.78	23.21
1.5	29.51	29.23
2	34.1	33.81
3	42.12	41.34
4	48.43	47.85
5	53.58	53.32



'The information contained within this specification sheet is believed to be correct and complete at the time of creation. All photographs / drawings are as a guide only and do not necessarily represent the products available. Travis Perkins PLC reserves the right to change product details and price without prior notice. E&OE.'