



Product features:

- Metal construction throughout
- Quarter turn handle action for precise flow control
- Custom designed for lower range pressures
- Freshly designed contemporary blend
- Swivel spout for maximum flexibility

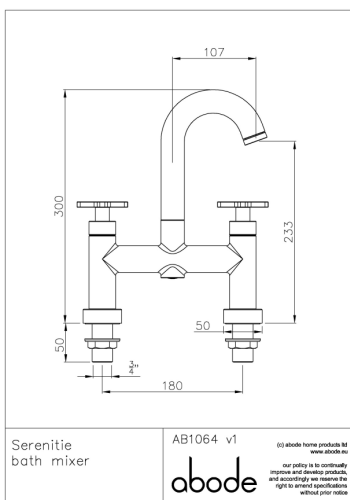
Packaged properties:

Box length (mm): 380 Box depth (mm): 105
Box width (mm): 255 Boxed weight (Kg): 3.1

Includes pop up waste?: No

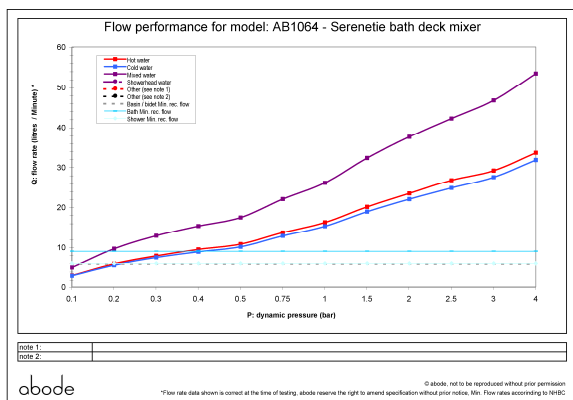
Additional comments:

Product dimensions:



- **Product mounted where:** Surface
- **Recommended hole size:** 32 mm
- **Overall Height / projection:** 300 mm
- **Exit reach:** 107 mm
- **Exit height:** 233 mm
- **Base size:** 50 mm
- **Inlet centre distance(s):** 180 mm
- **Min. fitting depth required:** 35 mm
- **Max. surface depth:**

Product flow characteristics:



- **Min / Max water pressure (bar):** 0.20* / 5.00
- **Part G max. mixed flow rate at 3 bar (l/m):** 18.86
- **Inlet connection type / length:** Fixed / 65 mm
- **Inlet (plumbing connection) / outlet size:** 3/4" M /
- **Product flow characteristics:** Single flow
Non return valve(s) supplied or position:
- **Aerator type:** White flow straightener
- **Control valve type:** 1/2" QT CD (8-20)
- **Includes output diverter?:** No
- **Inlet meshed particle filters included:**
- **Shower hose type / length:**

Warranty Summary (full details available on request):

- Materials and workmanship defects warranted for 5 years
- Valves and working parts warranted for 5 years
- Surface warranty defects warranted for 1 year
- O-rings, hoses & gaskets warranted for 1 year

Care instructions:

- Clean the mixers and showers regularly as required, using soap, do not use any other cleaners.
- Regular cleaning will prevent the build up of lime scale and dirt
- After cleaning rinse thoroughly with clean water to remove any cleaner residue
- Residues of liquid soaps, shampoos and shower foams can also cause damage, so rinse with clean water after using, avoid contact with any abrasives