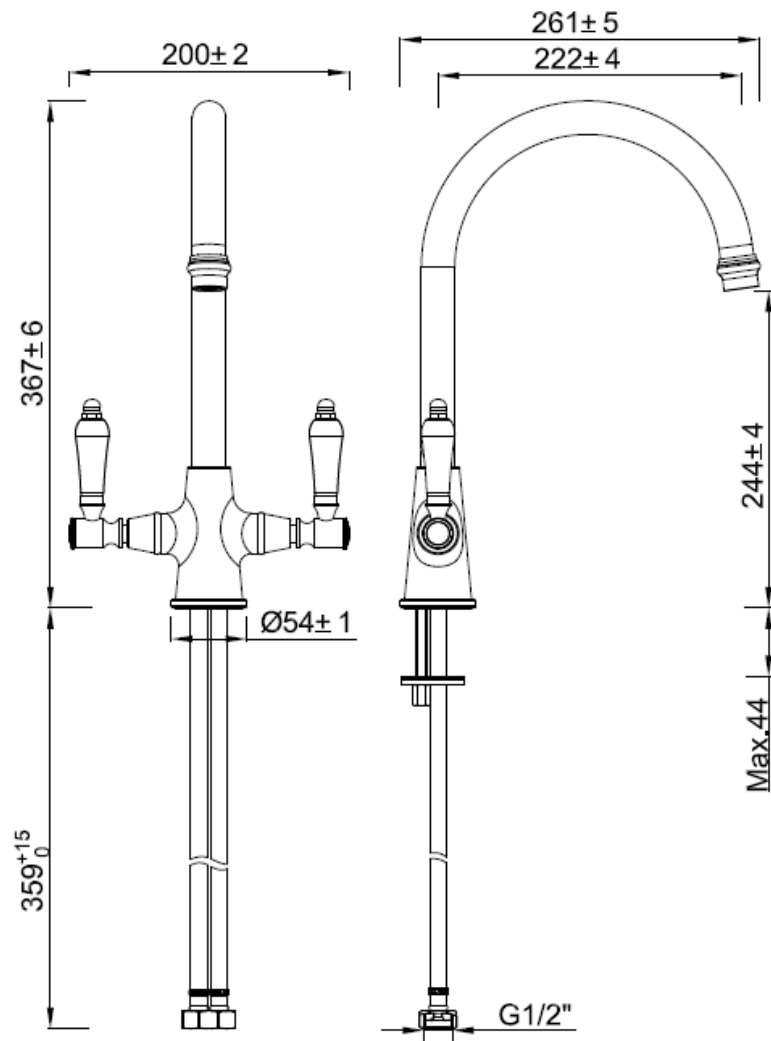


934960-Traditional Monobloc Mixer Chrome 177011

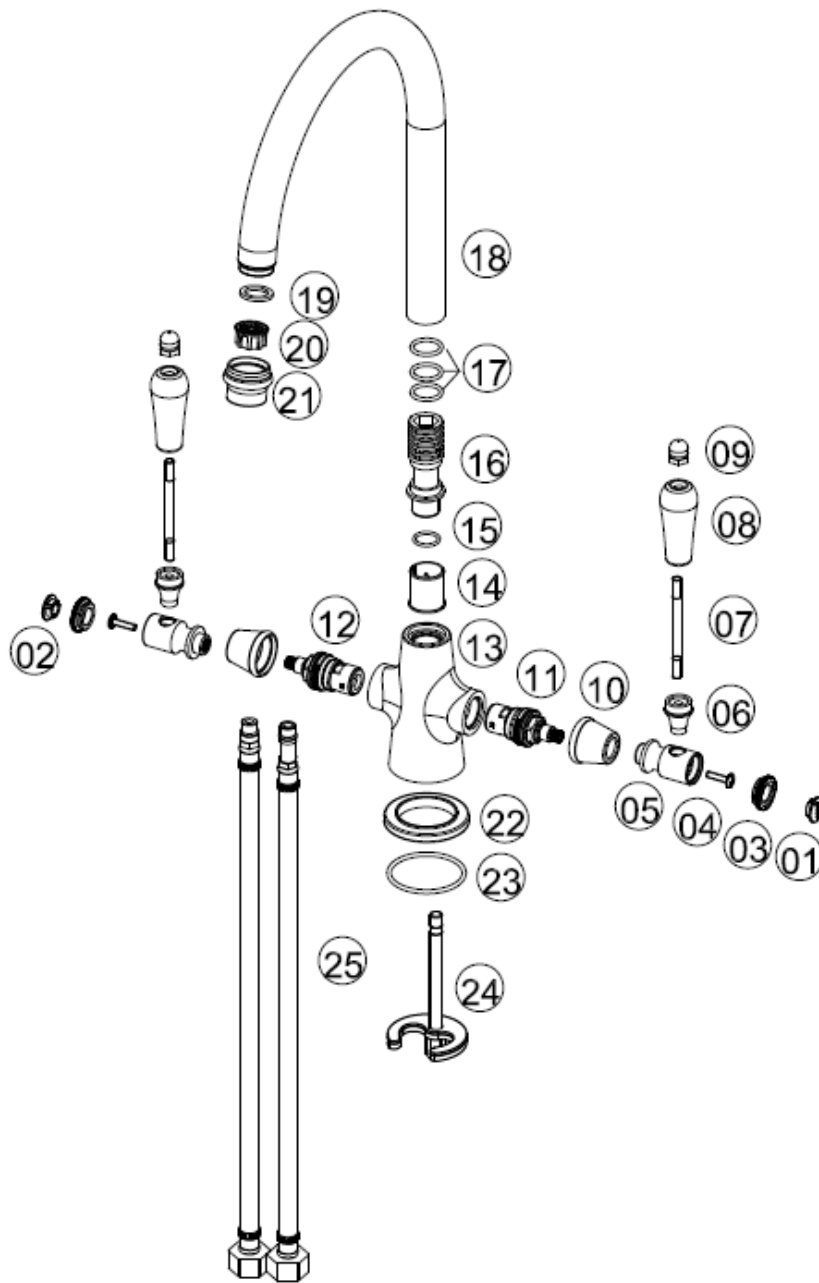
Useful Information	
Minimum operating pressure	0.2 bar
Maximum operating pressure	5 bar
PPI Guarantee length	5 years



Technical Diagram



Exploded Diagram



Item Number	Supplier Ref	Description	Quantity	Material	Spares Available
1	P53-C	Indice(Cold)	1	ABS	Yes
2	P53-H	Indice(Hot)	1	ABS	Yes
3	H53-A-S	Indice Seat	2	BRASS	Yes
4	SC4-16S	Screw	2	Stainless Steel	Yes
5	177011-H1-Z	Handle Seat	2	BRASS	Yes
6	H66-L	Adaptor	2	BRASS	Yes
7	H50-A-G	Screw	2	Steel	Yes
8	H50-A-T2	Handle Lever	2	Ceramic	Yes
9	H66-N	Tail Nut	2	BRASS	Yes
10	S60	Valve Cover	2	ZINC	Yes
11	VS02-C20	1/2" CD Valve	1	BRASS+EPDM+Ceramic Disc	Yes

12	VS02-C20	1/2" CD Valve	1	BRASS+EPDM+Ceramic Disc	Yes
13	177011-01	Tap Body	1	BRASS	No
14	177005-N2	Block Ring	1	POM	Yes
15	OR109	O Ring	1	EPDM	No
16	177005-N1	Adaptor	1	Q-DWX10	No
17	OR101	O ring	3	EPDM	Yes
18	177005-02-01	Spout	1	Stainless Steel	No
19	A14-01X	Washer	1	EPDM+Stainless Steel	Yes
20	A13-02	Flow straightener	1	POM	Yes
21	177011-02-02	Flow straightener Shell	1	Celanese Sales Germany GmbH	Yes
22	N30-G	Flange	1	ZINC	Yes
23	N25-G	asher	1	NBR	Yes
24	N28-M	Fixing kit	1	Steel+NBR+Brass	Yes
25	BZG10-1/2"-400	Braided Connectors	1	Stainless Steel+BRASS+EPDM	Yes

Flow Rates

Pressure (bar)	Flow rate matrix		
	Hot	Cold	Mixer
	With aerator		
0.1	2.73	2.76	4.85
0.2	4.46	4.55	8.11
0.3	5.71	5.63	10.14
0.4	6.64	6.73	11.91
0.5	7.43	7.52	13.46
1.0	10.31	10.42	19.42
1.5	13.16	13.29	23.58
2.0	15.45	15.65	27.46
3.0	19.28	19.50	34.34
4.0	22.37	22.70	39.94
5.0	24.73	25.37	44.07

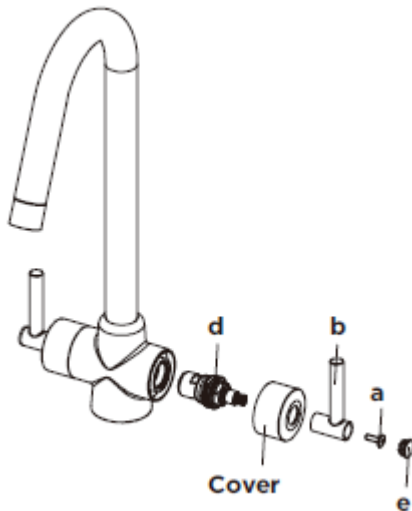
FAQ

What should I do if my tap is dripping/leaking?

Cleaning the valve (if water dripping from tap)

Before carrying out any maintenance, turn off the mains water supply. If unsure contact a qualified tradesman.

1. Remove the cap (e), grub screw (a), handles (b).
2. Remove the valve (d) using a suitable spanner, clean thoroughly under cold water to remove any build up of limescale or debris.
3. If necessary replace the valve.
4. Replace the valve (d) into the body, tighten the valve using a suitable spanner.
5. Replace the handles (b) and indices (f), tighten the grub screw (a).
6. Re-fit the cap (e) to handle



What does the Guarantee Cover?

The Guarantee Covering leakage, manufacturing defects and Chrome plating

The guarantee does not cover:

- Damage or defects caused by:
 - general wear and tear (including special non-chrome finishes; components such as filters, seals, 'O'rings and washers)
 - incorrect installation
 - repair using non- PPI parts
 - accidental or wilful misuse
 - corrosion and the use of inappropriate cleaning products.
 - system debris including the build up of limescale (which can be controlled through regular servicing and maintenance).
- Compensation for loss of use of the product or consequential loss of any kind.