

## British Standard kerb product information



A range of kerbs, channels and edging as specified in the current version of BS EN 1340.

- Designed to provide edge restraint in pedestrian and vehicular applications
- Complies with British Standards
- Range of accessories to suit a variety of applications.

### Applications

British Standard kerb is a cost effective kerb for all applications.

### Manufacturing standard

British Standard kerb is manufactured using a wet pressed process and is manufactured in accordance with and complies with all relevant sections of BS EN 1340: Concrete Kerb Units – requirements and test methods.

Charcon Hard Landscaping fully operates an accredited Quality Assurance scheme, certified to BS EN 9001:2008 which is independently and regularly assessed by BSI (British Standards Institution). All Charcon manufacturing sites are also certified to BS EN 14001 Environmental Management Systems.

### Performance with slip resistance

Unpolished slip resistance values, when tested in accordance with BS EN 1340, are available on request. All Charcon kerb units are classified as having a low potential for slip.

Polished slip resistance values can be provided on request.

### Complementary products

Designed for use with Charcon flag and block paving ranges.



### Colour swatch



1. Grey

# British Standard kerb product information

## British Standard kerb

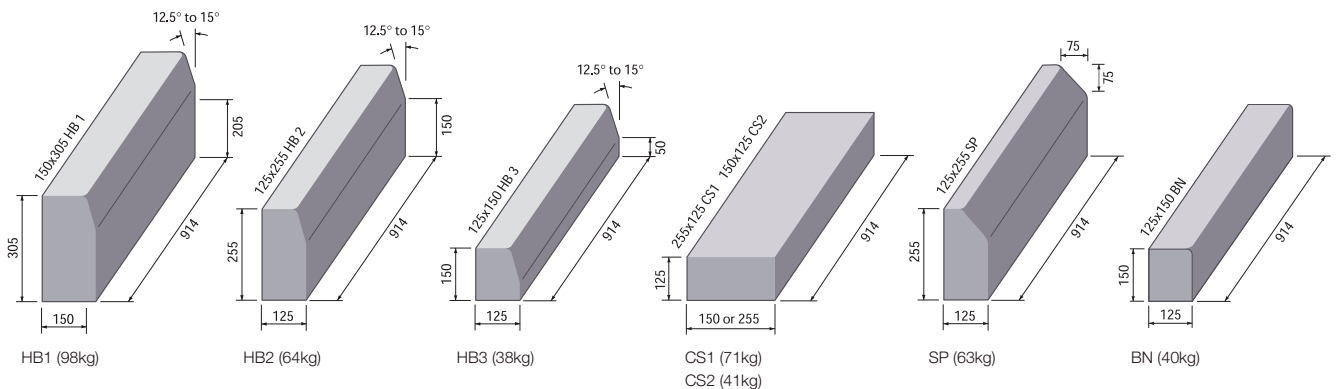
Dimensions (mm)	HB1	HB2	HB2	HB3	BN1	BN2	BN2	BN3	BN3	SP2	SP2	SP3
Length	914	914	609	914	914	914	609	914	609	914	609	914
Height	305	255	255	150	305	255	255	150	150	255	255	150
Width	150	125	125	125	150	125	125	125	125	125	125	125
Weight (kg)	100	70	40	40	100	70	40	40	30	60	40	30
Units/m (approx)	1.09	1.09	1.64	1.09	1.09	1.09	1.64	1.09	1.64	1.09	1.64	1.09
No. per pack	14	18/16	18/16	Various	14	18/16	18/16	Various	24	18	18	24
M/pack (approx)	12.84	16.51/ 14.68	10.98/ 9.76	Various	12.84	16.51/ 14.68	10.98/ 9.76	Various	14.63	16.51	10.98	21.9
Pack weight (T)	1.4	1.26/1.12	0.72/0.64	Various	1.4	1.26/1.12	0.72/0.64	Various	0.72	1.26	0.72	0.72
Colour available	Gy	Gy	Gy	Gy	Gy	Gy	Gy	Gy	Gy	Gy	Gy	Gy

## British Standard edging

Dimensions (mm)	Flat top	Flat top	Flat top	Bullnose	Bullnose	Bullnose	Round top	Round top	Round top
Length	914	914	914	914	914	914	914	914	914
Height	150	205	255	150	205	255	150	205	225
Width	50	50	50	50	50	50	50	50	75
Weight (kg)	15	20	30	15	20	30	15	20	40
Units/m (approx)	1.09	1.09	1.09	1.09	1.09	1.09	1.09	1.09	1.09
No. per pack	40	20/40	20/40	40	20/40	20/40	60	20	12
M/pack (approx)	36.56	18.28/ 35.56	18.28/ 36.56	36.56	18.28/ 35.56	18.28/ 36.56	55.05	18.28	11.01
Pack weight (T)	0.62	0.45 / 0.90	0.55 / 1.10	0.62	0.45 / 0.90	0.55 / 1.10	0.90	0.45	0.45
Colour available	Gy	Gy	Gy	Gy	Gy	Gy	Gy	Gy	Gy

Gy – Grey

HB – Half batter / BN – Bullnose / SP – Splay



Nominal weights of units shown in brackets.

# British Standard kerb product information

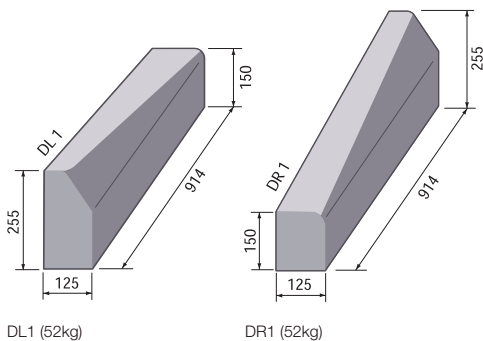
## Droppers and crossing kerb

125x255mm HB – 125x150mm BN (LH) DL1  
 125x255mm HB – 125x150mm BN (RH) DR1  
 125x255mm SP – 125x150mm BN (LH) DL2  
 125x255mm SP – 125x150mm BN (RH) DR2  
 125x150mm BN as Crossing kerb  
 125x255mm BN – 125x150 BN (LH) non BS  
 125x255mm BN – 125x150 BN (RH) non BS

## Radius droppers BS EN 1340

125x255mm HB – 125x150mm BN (LH)  
 125x255mm HB – 125x150mm BN (RH)

Available in 4, 5, 6, 8 and 10m.



## Radius kerbs and channels BS EN 1340

The table shown is an approximate guide only.

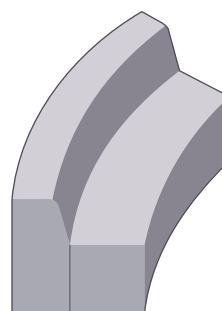
All radii over 15m (40 ft) can be achieved by using standard 914mm (3 ft) or 609mm (2 ft) kerbs.

Before ordering, check availability of size and profile.

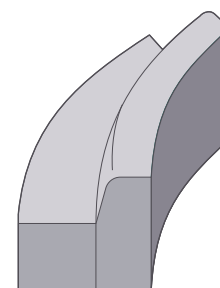
Also when ordering, please state the dimensions first, then the profile, then the radii followed by internal or external, eg 125x150 BN 4m ext.

## Approx No. Units per 1/4 circle

Size of radius (m)	Units per 1/4 circle
0.5	1
1	2
2	4
3	6
4	8
5	10
6	12
8	16
10	20
15	30



Internal kerb external channel

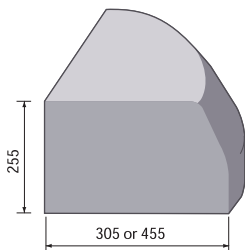


External kerb internal channel

# British Standard kerb product information

## Quadrants BS EN 1340

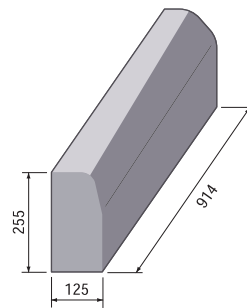
305x255mm QHB  
455x255mm QHB  
305x255mm QSP  
305x255mm QBN  
HB305 (42kg), HB455 (90kg)



HB305 (42kg), HB455 (90kg)

## Transition kerbs BS EN 1340

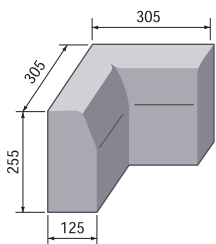
125x255mm HB RH – 125x255mm SP LH TR  
125x255mm HB LH – 125x255mm SP RH TL



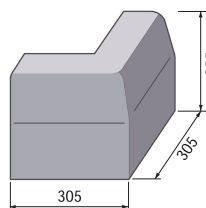
(60kg)

## Angles BS EN 1340

125x255mm HB ext angle HBXA  
125x255mm SP ext angle SPXA  
125x255mm HB int angle HBIA  
125x255mm SP int angle SPIA



IA (33kg)

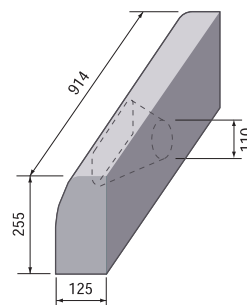


XA (33kg)

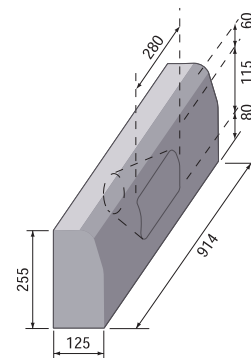
## Offlets (Weir kerbs)

Designed to allow surface water to be discharged through the opening in the face of the kerb to a 100mm pipe.

Available in Half batter and splay.



(56kg)



(56kg)

# British Standard kerb product information

## Non-standard kerbs and channels

Subject to availability and minimum order quantity.

### Kerbs

150x305mm BN  
125x255mm BN  
150x125mm HB

### Scotland

150x175mm SP  
150x175mm HB  
125x175mm HB works order  
125x205mm HB works order

### Channels

150x150mm CS  
150x100mm CS

## Non-standard droppers and crossing kerb

125x255mm HB – 125x175 SP\* (LH) DL  
125x255mm HB – 125x175 SP\* (RH) DR  
125x175mm SP\* as Crossing kerb

### Double pattern

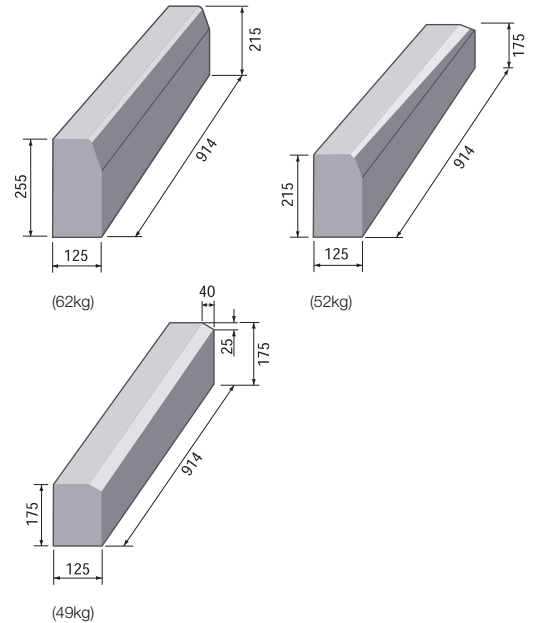
125x255mm HB – 125x215 WRCC (LH)  
Order Code WR1

125x215mm HB – 125x175 WRCC (LH)  
Order Code WR2

125x215mm HB – 125x175 WRCC (RH)  
Order Code WR3

125x255mm HB – 125x215 WRCC (RH)  
Order Code WR4

\*NB 25 mm splay

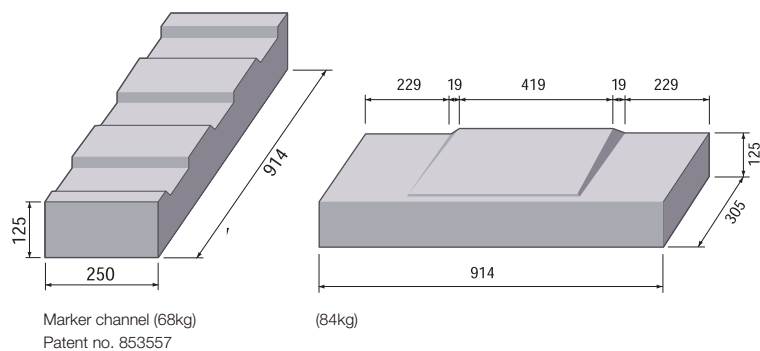


## Marginal strips and marker channels

Marginal strips and marker channels, hydraulically pressed, are designed for motorways and other roads where raised kerbs are not used. They provide a visible marking and act as a rumble strip.

Available in straight lengths only.

Manufactured to order only.



# British Standard kerb product information

## Sustainability and local sourcing

**Energy use:** Aggregate Industries is at the forefront of sustainability and has committed to reduce carbon emissions by 20% by 2012 based on a 2008 base line.

**Recyclable:** 100% of the product can be recycled thus reducing the amount of material that is sent to landfill.

**Manufacturing location:** Produced in the UK, with locally sourced materials under strict environmental and social legislation, for local supply.

**Responsible sourcing:** Aggregate Industries is the first company in the world to achieve a BES 6001:2008 Responsible Sourcing Certificate from BRE Global. Products are assessed on:

- quality management
- environmental management
- health and safety management
- greenhouse gas emissions
- minimising raw material usage
- labour practice
- biodiversity
- community engagement.

## Key aggregates and recycled content

British Standard kerb is manufactured using high quality, hard wearing granite aggregates.

## Generic green guide rating\*

Not applicable.

## Policies

Aggregate Industries' policies on the environment and community, health and safety and sustainable solutions for different product applications can be viewed on our website [www.aggregate.com](http://www.aggregate.com)

## Design and installation

For successful installation refer to BS 7533 Part 6. For specific design, installation and maintenance guidance, please contact Charcon technical department on 01335 372222.

## Maintenance and cleaning

Charcon can supply on request advice on specific stain removal and general maintenance, suitable cleaning products and referrals to specialist cleaning companies.

## COSHH data

Full COSHH data on Charcon products is available on request. Please call the technical helpline on 01335 372222.

## Technical support

Detailed guidance and assistance with the preparation of specification of Charcon hard landscaping products, including model clauses, is available through the sales office. A free technical design service is also available.

**For further information, please refer to Charcon technical services on 01335 372222.**

\*Ratings based upon generic green guide values (2009) supplied by BRE Global Ltd, [www.thegreenguide.co.uk](http://www.thegreenguide.co.uk)

Hulland Ward, Ashbourne,  
Derbyshire DE6 3ET

Tel: 01335 372222

Fax: 01335 370074

[www.charcon.com](http://www.charcon.com)



A member of the Holcim Group