

CEL321

Foundation Grade Datasheet

29 August 2012

Proof 1

H+H Product Datasheet

Celcon Blocks – Foundation Blocks

Page 1 of 2

| | Strength | Conductivity | Density |
|----------------------|----------------------|------------------------|----------------------|
| Standard Grade | 3.6N/mm ² | 0.25 W/mK [#] | 600kg/m ³ |
| Hiigh Strength Grade | 7.3N/mm ² | 0.32 W/mK [#] | 750kg/m ³ |

Celcon Blocks – Foundation Blocks



Foundation Block – High Strength Grade
Plain faced 440mm x 215mm



Foundation Block – Standard Grade
Plain faced 440mm x 215mm

Celcon Foundation Blocks are commonly used in a range of thicknesses for use below DPC level. Offering beneficial thermal performance, they are suitable for the support of cavity or solid walls, framed construction or suspended floors, including beam and block floors.

With exceptional resistance to freeze/thaw conditions likely to occur below DPC level BBA certificate 01/3816 confirms that all Celcon Foundation Blocks are suitable for use in soil conditions from DS1 to DS4.

Applications

■ Foundations

Celcon Foundation Blocks can be laid below DPC level without mortar perpend. Simply lay them with mortared horizontal bed joints and then butt them together to prevent the passage of vermin.

Solar Grade can also be used below DPC.

All Celcon Foundation Blocks may also be used above ground for solid wall construction.

Please note the thermal conductivity quoted for use below ground is different to that when used above DPC.



Foundation Block – Standard Grade
Plain faced 620mm x 140mm



Foundation Block – High Strength Grade
Plain faced 620mm x 140mm



build with ease



H+H Product Datasheet

Celcon Blocks – Foundation Blocks

| Face size | Standard Grade 440mm x 215mm | | | High Strength Grade 440mm x 215mm | | |
|--------------------------------------|---------------------------------|-------------|-------------|--------------------------------------|-------------|-------------|
| | 275 | 300 | 355 | 275 | 300 | 355 |
| Block Thickness (mm) | 275 | 300 | 355 | 275 | 300 | 355 |
| Block Weight at 3% (kg) [†] | 16.1 | 17.5 | 20.8 | 20.1 | 21.9 | 25.9 |
| Block Weight (kg) ^{††} | 20.1 | 21.9 | 25.9 | 23.0 | 25.1 | 29.7 |
| Pack Weight (kg) [*] | 802 | 656 | 777 | 921 | 753 | 892 |

* Pack weight excludes pallet.

† Block weights calculated at 3% moisture content by weight.

†† Blocks weights at typical moisture content when laid. (Some manufacturers may quote weights which have not allowed for this.)

| Face size | Standard Grade 610mm x 140mm | | High Strength Grade 610mm x 140mm | |
|--------------------------------------|---------------------------------|--|--------------------------------------|--|
| | 215 | | 215 | |
| Block Thickness (mm) | 215 | | 215 | |
| Block Weight at 3% (kg) [†] | 11.3 | | 14.2 | |
| Block Weight (kg) ^{††} | 14.0 | | 16.2 | |
| Pack Weight (kg) [*] | 489 | | 569 | |

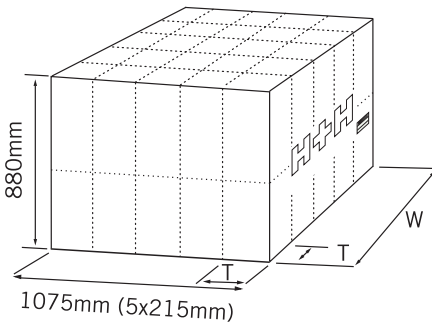
20.4 Bold figures indicate that the product is above single person repetitive manual handling limits.

All shaded areas indicate that the product is a stock item at all factories, other sizes can be made to order subject to minimum quantities.

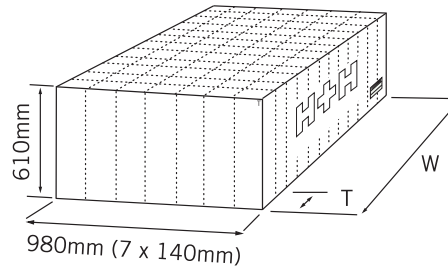
| | Standard Grade | High Strength Grade |
|----------------------|------------------------|------------------------|
| Compressive Strength | 3.6N/mm ² | 7.3N/mm ² |
| Thermal Conductivity | 0.25 W/mK [#] | 0.32 W/mK [#] |
| Density | 600 kg/m ³ | 750 kg/m ³ |

| Pack Information | 440 x 215mm | | | 610 x 140mm |
|---------------------------------|-------------|-----|------|-------------|
| | 275 | 300 | 355 | 215 |
| Block Thickness (mm) = T | 275 | 300 | 355 | 215 |
| Coverage per pack (10mm joints) | 4.0 | 3.0 | 3.0 | 3.7 |
| Number of blocks per pack | 40 | 30 | 30 | 3.5 |
| Pack width (mm) = W | 1100 | 900 | 1065 | 1120 |

440mm x 215mm



610mm x 140mm



For further information and to check our most up-to-date product range please visit our website www.hhcelcon.co.uk or contact the following departments:

Sales

For sales enquiries or to find your local stockist please contact

Tel: 01732 886444

Fax: 01732 887013

Technical

For technical enquiries please contact

Tel: 01732 880580

Fax: 01732 880581

Email: technical.services@hhcelcon.co.uk