

Serie | 2
**NBS113BR0B brushed steel
Double compact oven**

Included accessories

2 x combination grid
1 x universal pan
2 x Universal pan
slim size

Optional accessories

HEZ327000 : Pizza stone
HEZ531000 : Baking tray, grey enamelled
HEZ531010 : Baking tray, non-stick ceramic coated
HEZ634000 : Baking and roasting grid (standard)
HEZ915003 : Glass roasting dish, 5,4 L

The built-in double compact oven with 3D hot air: achieve perfect baking and roasting results on multiple levels simultaneously.
B

- **3D Hotair:** perfect results thanks to optimal distribution of heat on up to 3 levels simultaneously.
- **LED display control, red:** easy-to-use thanks to the time functions.
- Easy to clean grey enamel interior
- **Slim Universal Pans:** 2 universal pans, slim size; optimised for smaller dishes

Technical Data

Color / Material Front :	Stainless steel
Construction type :	Built-in
Integrated Cleaning system :	No
Dimensions of the product (mm) :	717 x 594 x 550
Dimensions of the packed product (HxWxD) (mm) :	790 x 700 x 660
Control Panel Material :	Stainless steel
Door Material :	Glass
Net weight (kg) :	47.228
Usable volume of cavity (l) :	47
Cooking method :	
Conventional heat, Full width grill, Hot Air, Hotair gentle	
Temperature control :	No control of the temperature
Number of interior lights :	1
Approval certificates :	CE, VDE
EAN code :	4242005034604
Energy efficiency class (2010/30/EC) :	A
Energy consumption per cycle conventional (2010/30/EC) :	0.84
Energy consumption per cycle forced air convection (2010/30/EC) :	0.71
Energy efficiency class (2010/30/EC) - cavity 2 :	B
Energy consumption per cycle conventional - cavity 2 (2010/30/EC) :	0.83
Energy efficiency index (2010/30/EC) :	94.7
Energy efficiency index cavity 2 (2010/30/EC) :	120.3
Electrical connection rating (W) :	5300
Current (A) :	25
Voltage (V) :	220-240
Frequency (Hz) :	50
Plug type :	fixed connection, no plug



4 242005 034604

Serie | 2 Double Oven

NBS113BR0B brushed steel

Double compact oven

The built-in double compact oven with 3D hot air: achieve perfect baking and roasting results on multiple levels simultaneously.

Design

- LED-Display Control (Red)
- Straight bar handle
- Rotary dial

Main Lower oven

- Cavity volume: 47 litre capacity
- Smooth enamelled oven interior, Removable wire shelf support rails
- Halogen interior light
- Control panel lock

Cleaning

- Full glass inner door

Programmes/functions

- Oven with 4 heating methods: 3D hot air, conventional top and bottom heat, full width variable grill, Hotair gentle
- Fast pre-heating function

Secondary top oven

- Cavity volume: 34 litre capacity
- Smooth enamelled oven interior, Removable wire shelf support rails
- Halogen interior light

Programmes/functions

- Oven with 3 heating methods: conventional top/bottom heat, Large-area grill, Small area grill

Cleaning

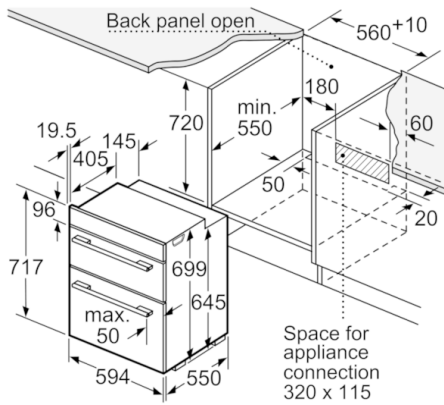
- Full glass inner door

Accessories

- 2 x combination grid, 1 x universal pan, 2 x Universal pan, slim size

Performance/technical information

- Energy efficiency rating (acc. EU Nr. 65/2014): A
Energy consumption per cycle in conventional mode: 0.84 kwh
Energy consumption per cycle in fan-forced convection mode: 0.71 kwh
Number of cavities: Main cavity
Heat source: electrical
Cavity volume: 47 litre capacity
- Energy efficiency rating (acc. EU Nr. 65/2014): B
Energy consumption per cycle conventional mode: 0.83 kwh
Number of cavities: Top Cavity
Heat source: electrical
Cavity volume: 34 litre capacity
- Nominal voltage: 220 - 240 V
- Appliance dimension (hxwxd): 717 mm x 594 mm x 550 mm
- Please refer to the dimensions provided in the installation manual

Serie | 2 Double Oven**NBS113BR0B brushed steel
Double compact oven**

measurements in mm