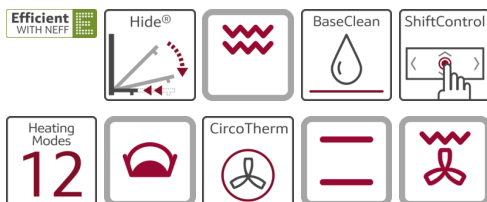


B47CR32NOB
OVEN
STAINLESS STEEL



A+



Built-in oven with SLIDE&HIDE® - unrestricted access to the oven interior

- ✓ Slide&Hide® - the fully retracting oven door
- ✓ CircoTherm® - Neff's outstanding hot-air system for simultaneous baking and roasting on up to 3 levels
- ✓ EcoClean - the self-cleaning catalytic coating on the inside top and sides of the oven makes oven cleaning easier.
- ✓ BottomClean - the special cleaning programme for the oven floor.
- ✓ ShiftControl - fast navigation through menus and simple operation with the TFT display.

Features

Technical Data

Color / Material Front : Stainless steel
 Construction type : Built-in
 Integrated Cleaning system : Catalytic all sides, Hydrolytic
 Required niche size for installation (HxWxD) : 585 x 560 x 550
 Dimensions of the product (mm) : 595 x 596 x 548
 Control Panel Material : Stainless steel
 Door Material : Glass
 Net weight (kg) : 36.0
 Usable volume of cavity (l) : 71
 Cooking method : , Bottom heat, Bread Baking Setting, Conventional heat, Dough proving setting, Full width grill, Half width grill, Hot Air, Hot Air-Eco, Hot air grilling, low temperature cooking, Pizza setting
 First cavity material : Enamelled
 Temperature control : electronic
 Number of interior lights : 1
 Approval certificates : CE, VDE
 Length of electrical supply cord (cm) : 120
 Interior Lights - cavity 1 : 1
 Pull-out system : Accessory
 Clock function : Alarm, Off, On
 Included accessories : 2 x combination grid, 1 x universal pan
 Broil Element Wattages cavity 1 (W) : 2800
 Convection Element Wattages cavity 1 (W) : 2300
 Energy consumption conventional (kWh) - cavity 1 : 0.87
 Energy consumption forced air convection (kWh) - cavity 1 : 0.69
 Electrical connection rating (W) : 3450
 Current (A) : 16
 Voltage (V) : 220-240
 Frequency (Hz) : 60; 50
 Plug type : no plug
 Color / Material Front : Stainless steel
 Energy input : Electric
 Approval certificates : CE, VDE
 Required cutout/niche size for installation (in) : x x
 Dimensions of the packed product (in) : 26.57 x 25.98 x 27.16
 Net weight (lbs) : 80
 Gross weight (lbs) : 85
 Length of electrical supply cord (cm) : 120
 Required niche size for installation (HxWxD) : 585 x 560 x 550
 Dimensions of the product (mm) : 595 x 596 x 548
 Net weight (kg) : 36.0
 Gross weight (kg) : 39.0

Included accessories



4 242004 181521

B47CR32NOB
OVEN
STAINLESS STEEL

Features

Special features

- 2.5" TFT colour display
- CircoTherm® Eco
- Interior halogen light
- Slide&Hide door, SoftOpen
- Temperature proposal
Actual temperature display
Heating up indicator
Sabbath setting

Features

- Oven with 12 heating methods: CircoTherm®, CircoTherm® Eco, Top/bottom heat, Conventional heat eco, Hot air grilling, Full surface grill, Centre surface grill, CircoTherm® intensive, Bread baking, Bottom heat, Low temperature cooking, Dough proving
- Permanent control panel lock
Automatic safety switch off
Residual heat indicator
Start button
Door contact switch
- Silver display EasyClock
- Full glass inner door
- Triple glazed door
- Pull out system: Available as an accessory
- Additional functions:
Full steam cooking function (Neff system steamer accessory required)
- Rapid heat
- Cooling fan
- Stainless-steel fan
- Info button

Design

- TFT display
- Illuminated ShiftControl
- Revolution handle
- Cavity inner surface: Enamel anthracite

Oven cleaning

- EcoClean program, BaseClean program

Standard accessories

- Pull out system: Available as an accessory

Optional accessories

- 2 x combination grid, 1 x universal pan

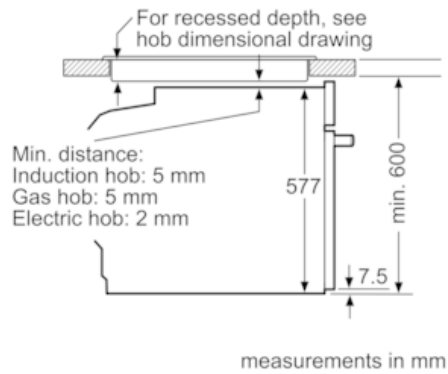
Performance/technical information

- Cavity volume: 71 litre
- Temperature range 40 °C - 275 °C
- Length of mains cable: 120 cm
- Total connected load electric: 3.45 KW
- Appliance dimension (hxwxh): 595 mm x 596 mm x 548 mm
- Niche dimension (hxwxh): 585 mm - 595 mm x 560 mm - 568 mm x 550 mm
- Please reference the built-in dimensions provided in the installation drawing
- Energy efficiency rating (acc. EU Nr. 65/2014):
Energy consumption per cycle in conventional mode: 81.2
Energy consumption per cycle in fan-forced convection mode: 0.69 kwh
Number of cavities: 1
Heat source: electrical
Cavity volume: 71 litre

B47CR32NOB
 OVEN
 STAINLESS STEEL

Dimensioned drawings

Installation with a hob.



If the appliance will be installed underneath a hob, the following worktop thicknesses (including substructure if necessary) must be taken into account.

Hob type	min. worktop thickness	
	fitted	flush
Induction hob	37 mm	38 mm
Full surface induction hob	47 mm	48 mm
Gas hob	30 mm	34 mm
Electric hob	27 mm	30 mm

