



Applications

Designed specifically for use in bathroom furniture. Also ideal for use behind tiles and partitioning and in most other concealed applications.

Water Saving

6/4 litre dualflush.

Quickly and easily converts before or after installation to 5/3 or 4/2.6 litre dualflush.

6/5/4 litre single flush also available.

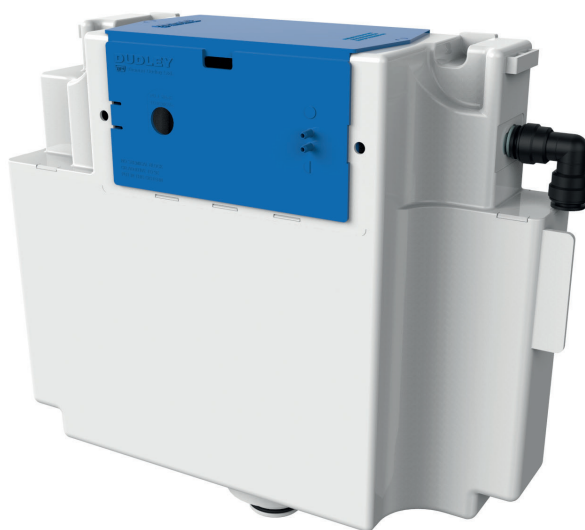
Delay fill Hydroflo inlet valve only allows cistern to start refilling once flushing is complete.

Approved by the European Water Label Scheme.

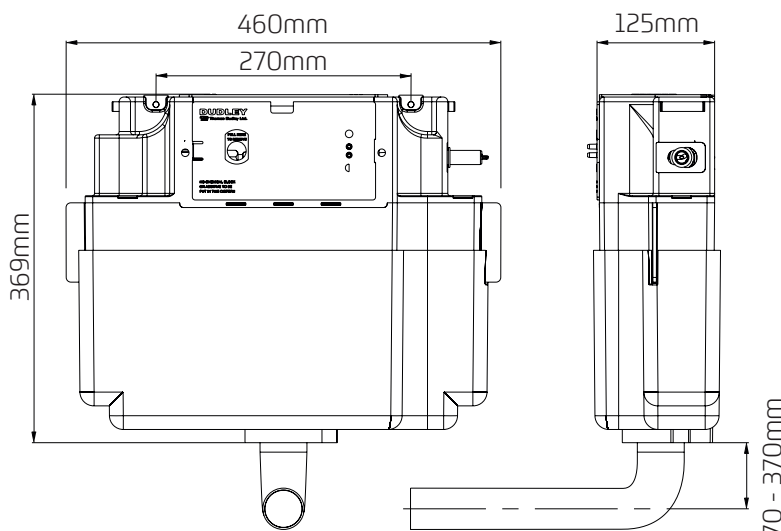
Supports BREEAM.

Features

- ~ Supplied factory assembled for quick and easy installation.
- ~ WRAS approved Dudley Niagara flushing valve.
- ~ WRAS approved Dudley Hydroflo quiet inlet valve.
- ~ Push-fit water inlet elbow.
- ~ Push-fit flushbend.
- ~ Integral isolating valve.
- ~ Air tubes enable button, plate or sensor to be installed up to 750mm away from cistern.
- ~ Compact dimensions fit neatly into furniture units as small as 500mm(w) x 200mm(d) x 800mm(h).
- ~ Front and top access panels.
- ~ Unique cistern fixing brackets.
- ~ Removes need to cut access holes into vanity tops.
- ~ Side inlet.
- ~ Internal overflow warning.
- ~ The cistern complies with the Regulator's Specification.



Dimensional Data



Technical Data

Material (Cistern)	High Density Polystyrene (PS)
Inlet	Dudley Hydroflo Compact Float: Side
Outlet	Dudley Niagara: Pneumatic
Flush Volume	Dual Flush 6/4, 5/3, 4/2.6 Litre or Single Flush 6, 5, 4 Litre