

COMPACT OVEN WITH MICROWAVE
C17MRO2NOB
STAINLESS STEEL



Compact built-in oven with integral microwave - even more ways to cook quickly and conveniently in a very small space

- ✓ Compact oven with microwave - even more ways to cook quickly and conveniently.
- ✓ ShiftControl - fast navigation through menus and simple operation with the TFT display.
- ✓ Modern LED lighting for bright, even illumination
- ✓ Hinged door with cushioned opening and closing.

Features

Technical Data

Type of micro-wave oven : MW-Combi
 Type of control : Electronic
 Color / Material Front : Stainless steel
 Dimensions of the product (mm) : 455 x 596 x 548
 Cavity dimensions (mm) : 237.0 x 480 x 392.0
 Length of electrical supply cord (cm) : 150
 Net weight (kg) : 35.0
 Gross weight (kg) : 38.0
 Maximum micro-wave power (W) : 900
 Number of Power Levels (Stck) : 5
 Turntable : No
 Heating type : 4D hot air, Combi microwave constant, Full width grill, Half width grill, Hot Air-Eco, Hot air grilling, Microwave, pre-heating
 Cavity material : Enamelled steel
 Door opening : Handle
 Clock : Yes
 Included accessories : 1 x combination grid, 1 x universal pan
 Main colour of product : Stainless steel
 Height of the product (mm) : 455
 Width of the product (mm) : 596
 Depth of the product : 548
 Maximum micro-wave power (W) : 900
 Connection rating (W) : 3600
 Current (A) : 16
 Voltage (V) : 220-240
 Frequency (Hz) : 50; 60
 Plug type : no plug
 Color / Material Front : Stainless steel
 Approval certificates : CE, VDE
 Required cutout/niche size for installation (in) : x x
 Appliance Dimensions (h x w x d) (in) : x x
 Dimensions of the packed product (in) : 20.86 x 26.37 x 26.77
 Net weight (lbs) : 78
 Gross weight (lbs) : 83

Included accessories

- 1 x combination grid
- 1 x universal pan



Optional accessories

Z11GT10X3 : Glass roasting dish, 5,4l, Z11GU20X0 : Glasspan , Z11SZ00X0 : SeamlessCombination mounting kit , Z11SZ60X0 : SeamlessCombination 45 + 14cm , Z11SZ90X0 : SeamlessCombination 60 + 45cm , Z12CB10A0 : Baking tray, anthracite enamelled , Z12CM10A0 : Moussaka pan, anthracite

COMPACT OVEN WITH MICROWAVE CI7MRO2NOB STAINLESS STEEL

Features

Programmes/functions

- Rapid heat
- Compact oven with microwave with 6 heating methods: 4D Hot air, CircoTherm® Eco, Hot air grilling, Full surface grill, Centre surface grill, Plate warming
- Additional heating methods with microwave: Microwave, Combi microwave constant

Special features

- Number of automatic programmes: 14 PC
- InnoWave technology for more even cooking results
- Stainless-steel fan
- 2.5" TFT colour display with ShiftControl
- Automatic safety switch off, Start button
- Drop down door, SoftClose, soft opening

Features

- Temperature proposal
Actual temperature display
Heating up indicator
automatic programmes
- Permanent control panel lock
Automatic safety switch off
Residual heat indicator
Start button
Door contact switch
- Microwave top door
- Supporting systems: Programs
- Max. Power: 900 W; 5 Microwave power settings (90 W, 180 W, 360 W, 600 W, 900 W) with Inverter (MW)
- LED light
- Cooling fan
- Info button

Design

- Illuminated ShiftControl
- Bar handle
- Cavity inner surface: Enamel anthracite
- Silver display EasyClock

Standard accessories

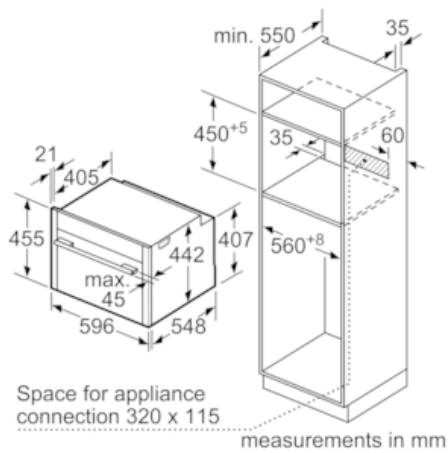
- 1 x combination grid, 1 x universal pan

Performance/technical information

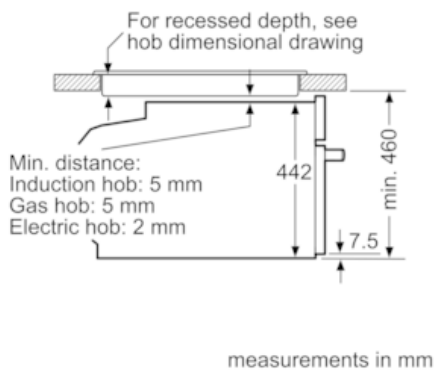
- Cavity volume: 45 litre
- Length of mains cable: 150 cm
- Total connected load electric: 3.6 KW
- Appliance dimension (hxwx): 455 mm x 596 mm x 548 mm
- Niche dimension (hxwx): 450 mm - 455 mm x 560 mm - 568 mm x 550 mm
- Please reference the built-in dimensions provided in the installation drawing

COMPACT OVEN WITH MICROWAVE
 CI7MRO2NOB
 STAINLESS STEEL

Dimensioned drawings



Installation with a hob.



If the compact appliance will be installed underneath a hob, the following worktop thicknesses (including substructure if necessary) must be taken into account.

Hob type	min. worktop thickness	
	fitted	flush
Induction hob	42 mm	43 mm
Full surface induction hob	52 mm	53 mm
Gas hob	32 mm	39 mm
Electric hob	32 mm	35 mm