

Serie | 4 Hoods
DWB66DM50B
Box design
Chimney extractor hood
Brushed steel
60 cm wide

Box design hood: performance and matching kitchen design complete in one hood.

- **TouchSelect control:** quick touch-control selection of desired settings and light.
- An impressive extraction rate of 580 m³/h ensures this hood will have your kitchen odour free in no time.
- **Silent:** maximum extractor performance with little noise

Technical Data

Color chimney :	Stainless steel
Typology :	Chimney
Approval certificates :	CE, VDE
Length of electrical supply cord (cm) :	130
Height of the chimney (mm) :	583-912/583-1022
Height of product, without chimney (mm) :	53
Minimum distance above an electric hob :	550
Minimum distance above a gas hob :	650
Net weight (kg) :	15.0
Type of control :	Electronic
Maximum output air extraction (m ³ /h) :	360
Boost position output recirculating (m ³ /h) :	340
Maximum output recirculating air (m ³ /h) :	270
Boost position air extraction (m ³ /h) :	580
Number of lights (Stck) :	2
Noise level (dB(A) re 1 pW) :	60
Diameter of air outlet (mm) :	120 / 150
Grease filter material :	Washable aluminium
EAN code :	4242005051045
Connection rating (W) :	220
Current (A) :	10
Voltage (V) :	220-240
Frequency (Hz) :	60; 50
Plug type :	GB plug
Installation type :	Wall-mounted


Optional accessories

DHZ1225 Chimney extension 1000 mm, DHZ1235 Chimney extension 1500 mm, DHZ6550 Brushed steel back panel, DHZ6551 Brushed steel back panel, DSZ5201 CleanAir active carbon filter spare part, DSZ6200 CleanAir Recirculation Kit, DWZ0DX0A0 Active carbon filter, DWZ0DX0U0 Recirculating kit, DWZ0XX0I0 Integrated CleanAir Recirculation Kit, DZZ0XX0P0 CleanAir act.carbon filter regenerative

Serie | 4 Hoods**DWB66DM50B****Box design****Chimney extractor hood****Brushed steel****60 cm wide****Box design hood: performance and matching kitchen design complete in one hood.****Key performance features:**

- Energy Efficiency Class: A*
- Extraction rate according to EN 61591 ø 15 cm:
max. Normal use 360 m³/h
Intensive 580 m³/h
- Noise max. Normal Level: 60 dB*

Features

- TouchControl with Electronic display
- Electronic display
- 3 power levels & intensive setting
- 2 x 1.5W LED light
- Colour Temperature: 3500 K
- Automatic intensive revert (6mins)
- 2 removable metal grease filter cassettes
- Designed for wall mounted installation

Design

- Brushed steel
- Box design
- Chimney extractor hood
- TouchControl
- Electronic control

Performance/technical information

- Suitable for ducted or recirculating operation
- For recirculated extraction recirculating kit or CleanAir recirculating kit (accessory) needed
- Max. extraction rate: 580 m³/h
- Extraction rate according to EN 61591 ø 15 cm:
max. Normal use 360 m³/h
Intensive 580 m³/h
- Extraction rate in recirculation mode:
Max. normal use: 270 m³/h
Intensive: 340 m³/h
- Noise max. Normal Level: 60 dB*
- Noise level according to EN 60704-3 and EN 60704-2-13 exhaust air:
Max. normal use: 60 dB(A) re 1 pW (48 dB(A) re 20 µPa sound pressure)
Intensive: 69 dB(A) re 1 pW (57 dB(A) re 20 µPa sound pressure)
- Noise levels in recirculation mode:
Max. normal use: 71 dB(A) re 1 pW (59 dB(A) re 20 µPa sound pressure)
Intensive: 75 dB(A) re 1 pW (63 dB(A) re 20 µPa sound pressure)
- Power rating: 220 W
- Light Intensity: 250 lux
- Colour Temperature: 3500 K
- Electrical cable length 1.3 m
- Diameter pipe ø 150 mm (ø 120 mm enclosed)
- Dimensions exhaust air (HxWxD): 635-965 x 600 x 500 mm
- Dimensions recirculating (HxWxD): 635-1075 x 600 x 500 mm
- Dimensions recirculating with CleanAir module (HxWxD):
703 x 600 x 500 mm - mounting with outer chimney
833-1163 x 600 x 500 mm - mounting with telescopic chimney
- Energy Efficiency Class: A*
- Blower Efficiency Class: A*
- Lighting Efficiency Class: A*
- Grease Filtering Efficiency Class: C*
- Average Energy Consumption: 44 kWh/year*

Optional accessories

- Recirculating kit

* In accordance with the EU-Regulation No 65/2014

Serie | 4 Hoods

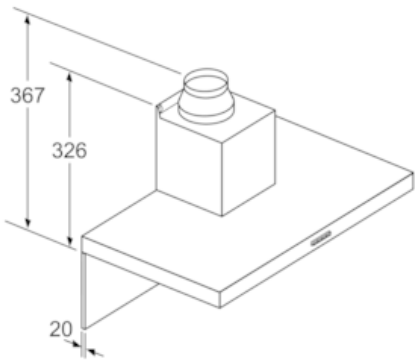
DWB66DM50B

Box design

Chimney extractor hood

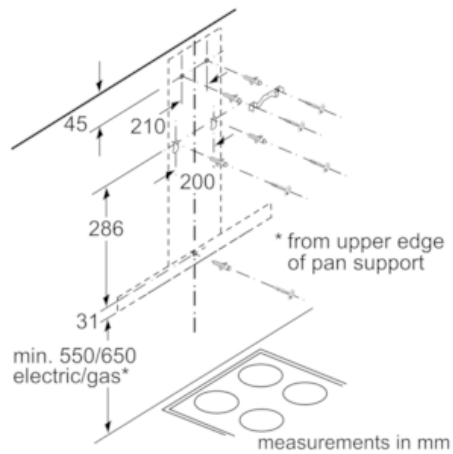
Brushed steel

60 cm wide

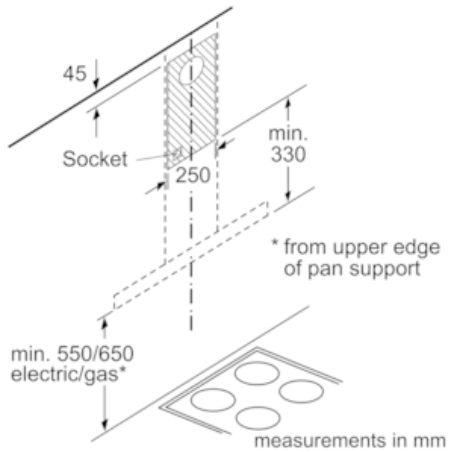


If a back panel is used, the design of the appliance must be considered.

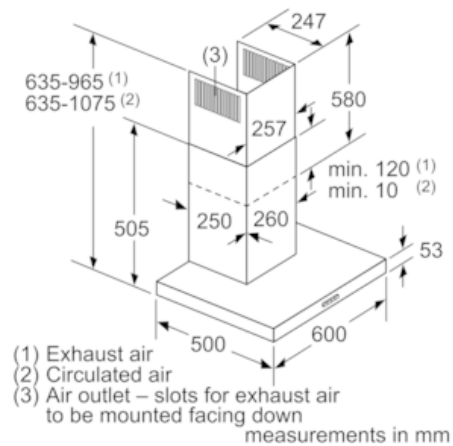
measurements in mm



measurements in mm



measurements in mm



measurements in mm

- (1) Exhaust air
- (2) Circulated air
- (3) Air outlet – slots for exhaust air to be mounted facing down