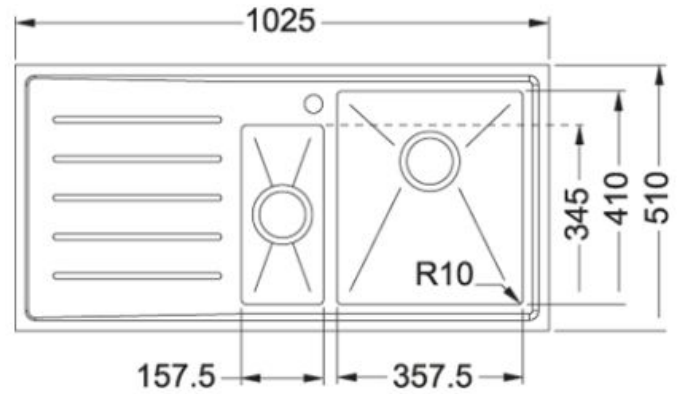


Franke Winsford 1.5 Bowl Stainless Steel | LHD 207611 (101.0529.822) | RHD 207593 (101.0529.823)

MODEL : Winsford | FINISH : Stainless Steel | INSTALLATION TYPE : Inset



TECHNICAL DATA

Cabinet Size	600.00 mm
Length Overall	1025.00 mm
Width Overall	510.00 mm
Length of large bowl	357.50 mm
Width of large bowl	400.00 mm
Depth of large bowl	200.00 mm
Length of small bowl	157.50 mm
Width of large bowl	345.00 mm
Depth of large bowl	150.00 mm
Cut-out Template	No
Cutout Length	1009.00 mm
Cutout Width	494.00 mm
Position of Drainer	Left
Opposite Configuration	101.0529.823 (207593)