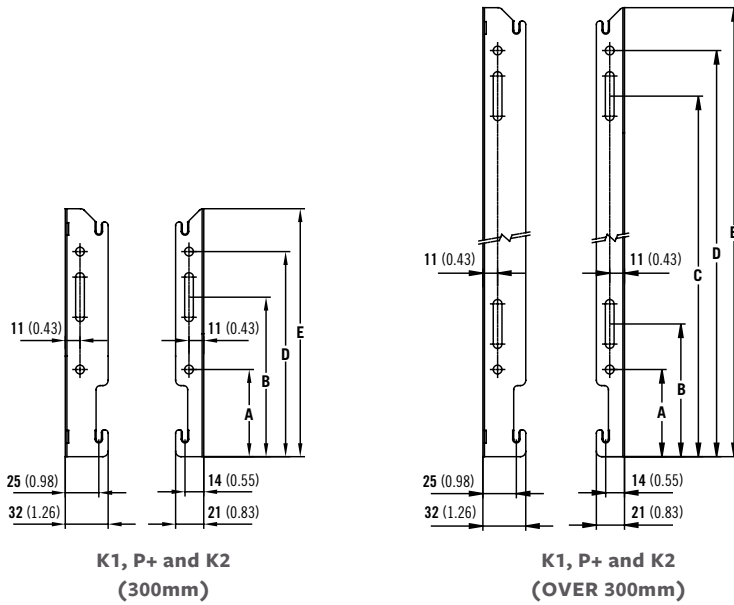


SOFTLINE COMPACT

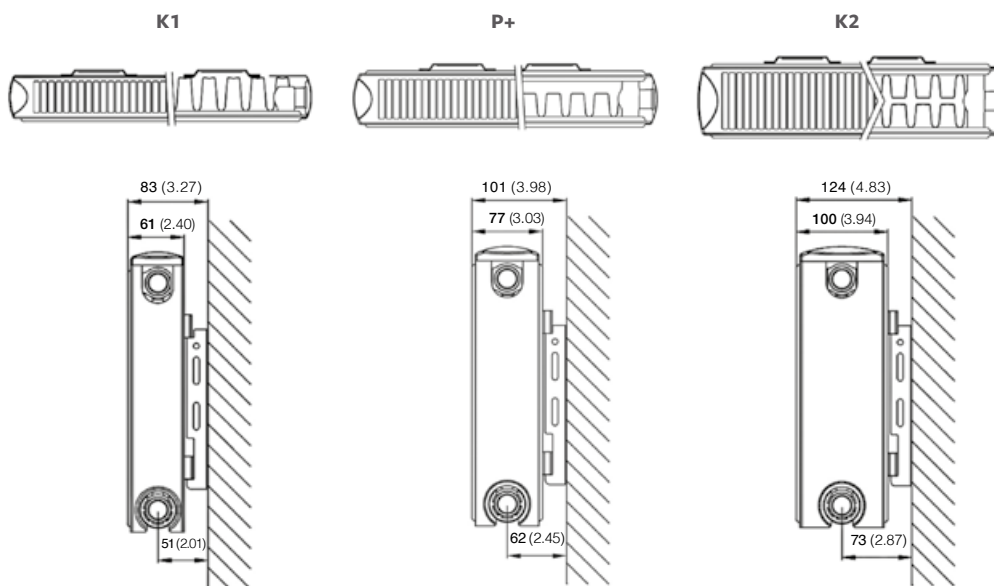
Softline Series

MOUNTING BRACKETS

All dimensions in mm. Inches in brackets.



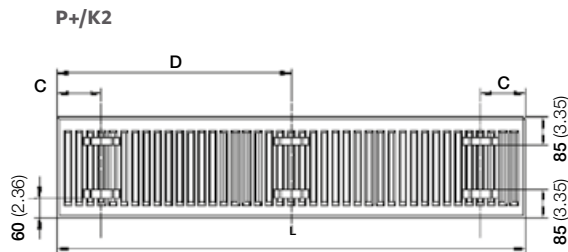
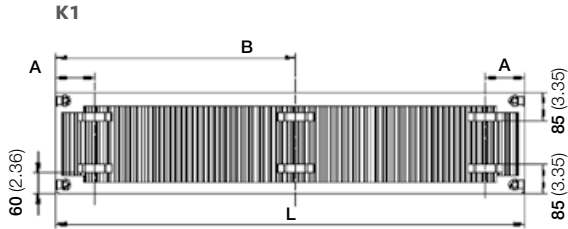
Dimensions	mm	inches	mm	inches	mm	inches	mm	inches
Height	300	11.81	450	17.72	600	23.62	700	27.56
A	65	2.56	65	2.56	65	2.56	65	2.56
B	119	4.69	99	3.90	99	3.90	99	3.90
C	-	-	269	10.59	419	16.50	519	20.43
D	153	6.02	303	11.93	453	17.83	553	21.77
E	185	7.28	335	13.19	485	19.09	585	23.03



SOFTLINE COMPACT

Softline Series

K1, P+ & K2 LUG POSITIONS (New as of June 2016).
All dimensions in mm. Inches in brackets.

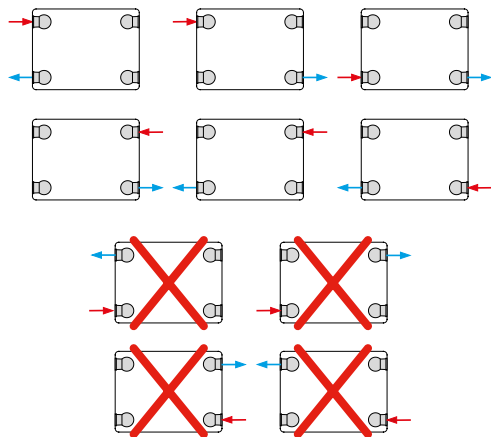


L	K1				P+/K2			
	A		B		C		D	
	mm	in	mm	in	mm	in	mm	in
400	117	4.60	-	-	133	5.24	-	-
500 - 1100	150	5.90	-	-	133	5.24	-	-
1200 - 1600	150	5.90	-	-	133	5.24	-	-
1800 - 2000	150	5.90	(L/2) + 17		133	5.24	L/2	

CONNECTIONS

Each radiator comes with 1/2" inlet connections as standard.

PIPING OPTIONS



SOFTLINE COMPACT

Softline Series

EN 442 CERTIFICATION DATA - CETIAT TESTED IN ACCORDANCE WITH BS EN 442

Type	K1				P+		K2			
	300	450	600	700	450	600	300	450	600	700
Height	300	450	600	700	450	600	300	450	600	700
W/m at 75/65/20	509	756	980	1117	1055	1345	982	1371	1732	1961
n-coefficients	1.32	1.31	1.29	1.29	1.34	1.33	1.33	1.33	1.33	1.34
Heated surface area (m ² /m)	2.09	3.37	4.66	5.51	3.84	5.24	3.51	5.62	7.74	9.15
Weight (kg/m)	9.31	14.51	19.70	22.90	22.04	29.80	16.80	25.90	35.00	40.53
Water contents (l/m)	1.89	2.57	3.25	3.77	5.15	6.60	3.70	5.15	6.60	7.63
Wall to tap centre (mm)	51	51	51	51	62	62	73	73	73	73

PRESSURE DROPS

