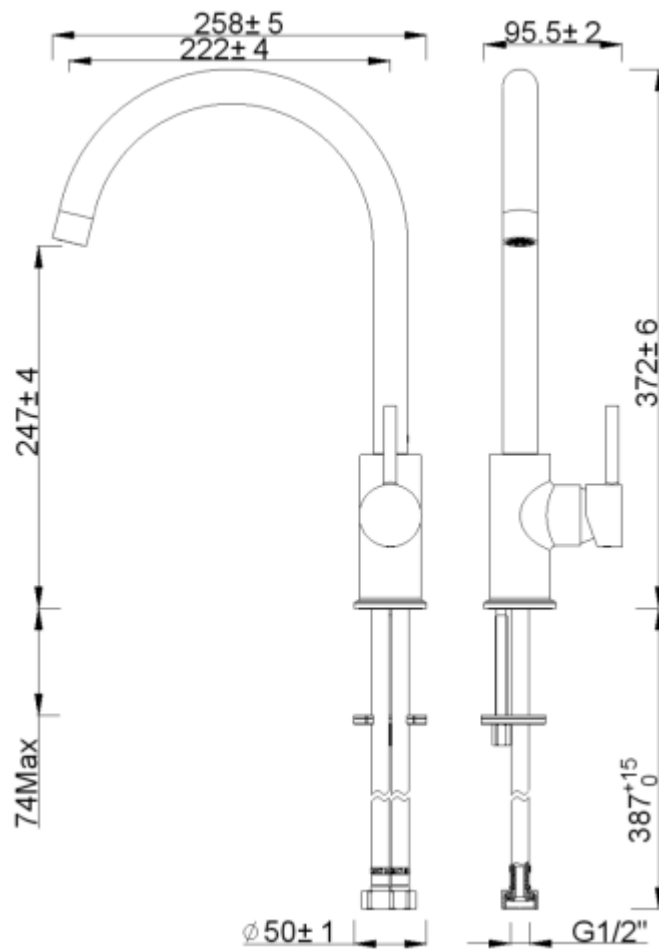


# 352809 - Arras Mono Swan Neck Sink Mixer Brushed

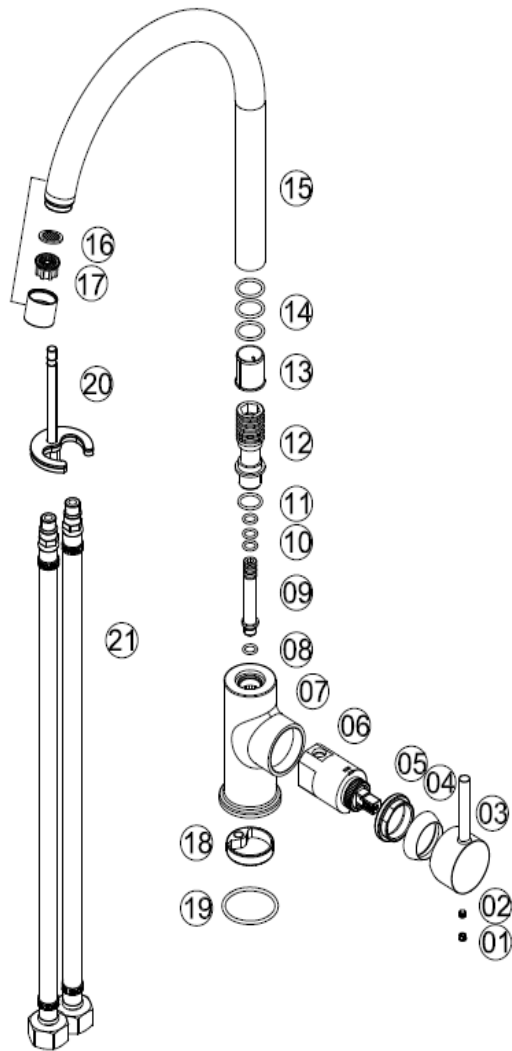
Useful Information	
Minimum operating pressure	0.3 bar
Maximum operating pressure	5 bar
PPI Guarantee length	5 years



## Technical Diagram



## Exploded Diagram



Item Number	Supplier Ref	Description	Quantity	Spares Available
1	P67-BN1	Indice	1	Yes
2	SC5-4SN	Screw	1	Yes
3	167024-H-BN1	Handle	1	Yes
4	S278-BN1	Valve Cover	1	Yes
5	N31-G	Cartridge Clamp	1	Yes
6	LT35D-11	Cartridge Assembly	1	Yes
7	177005-01-BN1	Tap Body	1	No
8	OR074	O ring	1	No
9	177005-N3	Adaptor	1	No
10	OR186	O ring	3	No
11	OR109	O ring	1	No
12	177005-N1	Adaptor	1	No
13	177005-N2	Block Ring	1	Yes
14	OR101	O ring	3	Yes
15	177005-02B-BN1	Spout	1	No
16	A14-01X	Washer	1	Yes
17	A13-02	Aerator	1	Yes
18	177005-N6	Fixing Nut	1	No
19	OR111	O ring	1	Yes
20	N28-M	Fixing kit	1	Yes
21	BZG10-1/2"-450	Braided Connectors	1	Yes

## Flow Rates

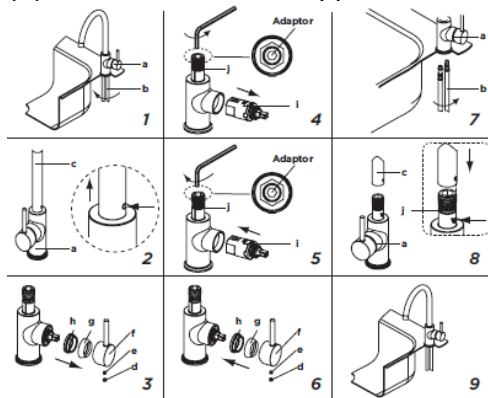
Pressure (bar)	Flow rate matrix		
	Hot	Cold	Mixer
	With aerator		
0.1	1.80	1.90	2.21
0.2	2.75	2.87	3.28
0.3	3.61	3.46	4.20
0.4	4.20	4.25	4.93
0.5	4.68	4.68	5.52
1.0	6.84	6.87	7.69
1.5	8.28	8.44	10.10
2.0	9.60	9.73	11.53
3.0	12.13	12.20	14.22
4.0	13.93	13.88	16.47
5.0	15.60	15.78	18.44

## FAQ

What should I do if my tap is dripping/leaking?  
Cleaning the valve (if water dripping from tap)

Before carrying out any maintenance, turn off the mains water supply.

- (1). Remove the Braided connectors(b) from the tap body(a).
- (2) Press the button in and pull the spout(c) vertically until remove the spout(c).
- (3) Remove the cap(d), grub screw(e), handle(f), cover(g) and retaining nut(h).
- (4) Unscrew the adaptor anti-clockwise using 5mm allen key (not supplied) and then pull the cartridge until the cartridge(i) can be removed. Clean the cartridge(i) thoroughly under cold water to remove any build up of limescale or debris. If necessary replace the cartridge(i).
- (5) Replace the cartridge(i) into the body and screw the adaptor clockwise until tighten.
- (6) Tighten the retaining nut(h) using a suitable spanner. Replace cover(g) and handle(f), tighten the grub screw(e) and re-fit cap(d) to handle(f).
- (7) Fit the Braided connectors(b) to the tap body. Ensure that the hot and cold braided connector(b) fit to inlet hole of the cartridge are correctly.
- (8) Ensure that the hole of the spout(c) aligned with the button of the black adaptor, then press the button of the black adaptor(j) and push the spout to black adaptor(j) until secure.
- (9) Turn on the water supplies and check for leaks



What does the Guarantee Cover?

The Guarantee Covering leakage, manufacturing defects and Chrome plating

The guarantee does not cover:

- Damage or defects caused by:
  - general wear and tear (including special non-chrome finishes; components such as filters, seals, 'O' rings and washers)
  - incorrect installation
  - repair using non- PPI parts
  - accidental or wilful misuse
  - corrosion and the use of inappropriate cleaning products.
  - system debris including the build up of limescale (which can be controlled through regular servicing and maintenance).
- Compensation for loss of use of the product or consequential loss of any kind.