

## TECHNICAL DATA SHEET

### Product Code:

189010

### Description:

The Gap Compact Seat and Cover (Soft Close)

### Specification:

Size: L 427mm, W 350mm, H 40mm

Material: Thermoset

Finish: White

Installation Type: Bottom Fixing

Clean immediately after use to stop the build-up of dirt and limescale.

Clean with water containing a few drops of washing up liquid, rinse immediately and dry with a soft cloth.

Do not use products such as paint stripper, nail varnish remover, household bleach, perfume, aftershave and strong disinfectants, as chrome and other metals are vulnerable to acid attack. These may have a varying effect on the surface, from black spots or streaks, which can't be removed due to the corrosion of the surface.

Do not scratch the finish as this can be cause for corrosion.

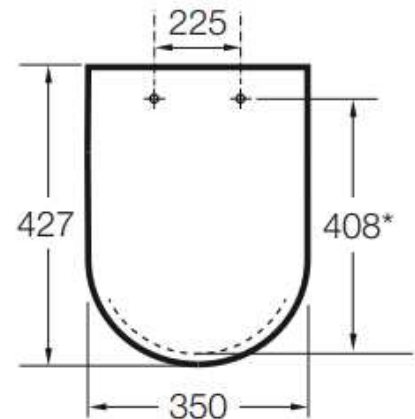
Do not clean with abrasive materials or products containing bleach.

Do not force the operation of a soft close seat.

### Product Image:



### Technical Drawing:



'The information contained within this specification sheet is believed to be correct and complete at the time of creation. All photographs / drawings are as a guide only and do not necessarily represent the products available. Travis Perkins PLC reserves the right to change product details and price without prior notice. E&OE.'