



Fitting type: Undermount or Inset

Sink handing: Not handed

Finish style: Satin/Brushed steel

- **Min. base unit (mm):** 800 together (500 individually)
- **Packaged size L x W x D:** 460 x 460 x 230mm
- **Supplied boxed or sleeved:** Boxed
- **Boxed weight:** 3.68 kg
- **Sink only weight:** 2.16 kg

- Durable 304 stainless steel construction throughout
- Supplied with all parts required
- Easy clean bowl curves
- Can be fitted as undermount or inset
- Practical basket waste supplied

Included parts:



1 x AX1005R (m)
90mm (1.5") Basic manual basket
strainer waste - short bolt - Multi ray



1 x AX1112 (m)
1 x 60mm (non sealing bsw)



1 x AX1006 (m)
Rectangular overflow pipework



1 x AX4043 (m)
Fitting & care instructions & data sheet
- st/st inset/undermount



2 x AX1113 (m)
Self adhesive strip seal (3 x 7 x
1800mm)



1 x AX1114 (m)
Inset fixing clips x 10



1 x AX1108 (m)
Undermount stainless steel fixing clips
x 8

Recommended accessories:

All accessories can be
purchased directly from
www.abode-shop.co.uk
or phone 01226 283434

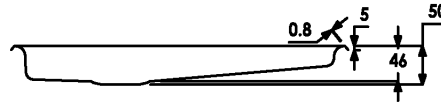
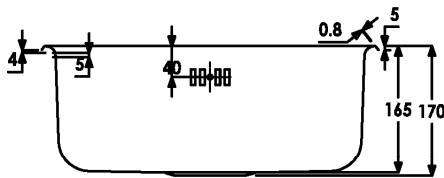
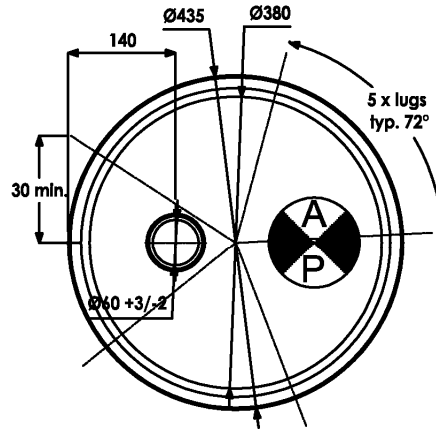
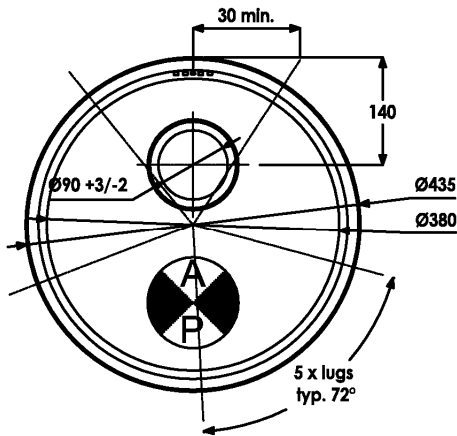
Materials and workmanship warranty summary:

- Sink materials & workmanship 10 years.
- Waste kits 1 year.
- Connecting pipework 1 year.

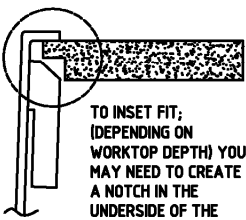
Care instructions:

- Clean the products regularly using soapy water and a non abrasive cloth, regular cleaning will prevent the build up of lime scale and dirt.
- Avoid contact with corrosive or abrasive substances.
- After cleaning rinse thoroughly with clean water then dry.
- For more detail see supplied booklet or www.abodedesigns.co.uk

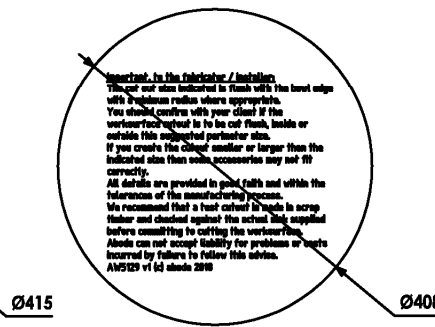
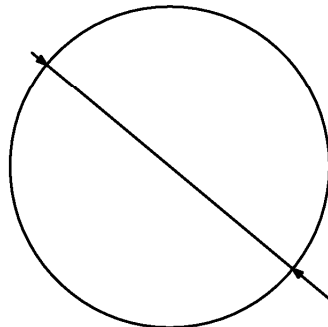
Product dimensions and installation information: note:  symbol indicates position of acoustic pad on stainless products.



INSET CUT OUT UNDERMOUNT CUT OUT



TO INSET FIT;
(DEPENDING ON
WORKTOP DEPTH) YOU
MAY NEED TO CREATE
A NOTCH IN THE
UNDERSIDE OF THE
WORKTOP TO ALLOW
CLEARANCE FOR THE
OVERFLOW BODY



Additional notes: Important: Please check cut out details carefully before cutting worktops, size shown is flush to bowl edge
Overall product size: 435 x 435 x 170 corner radius 0mm

Tap hole(s) detail: None

Compatibility with large square taps:

Wastehole(s) detail (mm): 90 / 60 / N/A (nb. 90mm wastes accept a waste disposal unit)

Min. base unit (refers to space required for bowl, tap and overflow only): fits 800 together (500 individually)mm carcass

Min. Recessed fitting width: required (bowl(s), tap and overflow: Dependant on spacing mm

***Worktop cut out size:** N/AxN/A corner radius N/Amm, for .DXF cut files please see www.abode.eu

Min. & Max worktop depth or clip depth reach range: 20 - 45mm

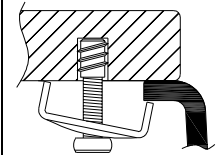
Fitting temple supplied? No, use cut out instructions as supplied

Dishwasher under drainer? Distance from top of worktop to underside of the drainer 5mm



*Important, fabricator / installer notes for undermount & flushmount sinks:

The cut out size indicated is aligned with outside edge of the bowl top radius (see example below).



You should confirm with your client if the worksurface cutout is to be cut flush, inside or outside this suggested perimeter shape & size.

If you create the cutout smaller or larger than the indicated size then the fit of the accessories may be affected and should be physically checked.

General:

All details are provided in good faith but do not include the tolerances of the material or manufacturing process.

We request that a test cutout is made in scrap timber and checked against the actual sink to be installed before committing to cutting the final worksurface.

Abode can not accept liability for problems or costs incurred by failure to follow this request.

Note: the dimensions on ceramic fireclay products are subject to wider tolerances due to the nature of this natural material and the firing process.

CAD cutout files can be downloaded from www.abodedesigns.co.uk

Bowl details: (sizes in mm unless specified otherwise)

Bowl 1 (typically main bowl):

Bowl 1 size L x W x D (mm): 380 x 380 x 165

Bowl 1 construction: Pressed, 0.60mm

Bowl 1 floor radius (mm): 40

Bowl 1 Wastehole diameter (mm): 90

Bowl 1 overflow: Slotted, std equal pattern

Bowl 1 texture: Brushed stainless

Bowl 1 apx. volume (litres): 12.80

Bowl 2 (typically 1/2 or 3/4 bowl):

Bowl 2 size L x W x D (mm): 380 x 380 x 46

Bowl 2 construction: pressed, 0.60mm

Bowl 2 floor radius (mm): 10

Bowl 2 Wastehole diameter (mm): 60

Bowl 2 overflow: N/A

Bowl 2 texture: Satin/Brushed stainless

Bowl 2 apx. volume (litres): N/A

Bowl 3:

Bowl 3 size L x W x D (mm): N/A x N/A x N/A

Bowl 3 construction: N/A, N/Amm

Bowl 3 floor radius (mm): N/A

Bowl 3 Wastehole diameter (mm): N/A

Bowl 3 overflow: N/A

Bowl 3 texture: N/A

Bowl 3 apx. volume (litres): N/A