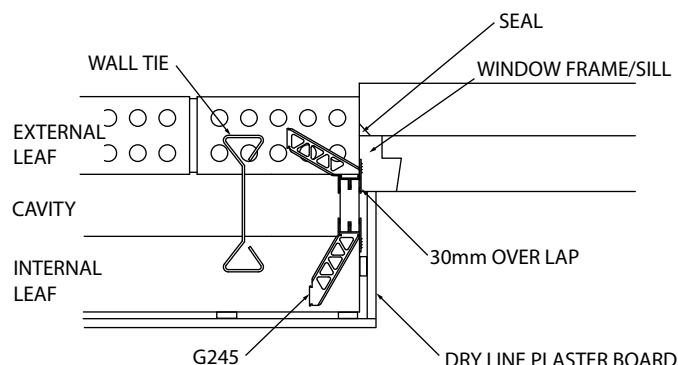
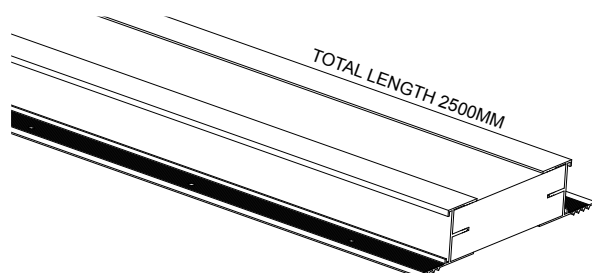


Thermal Cavity Closer

CODE G240



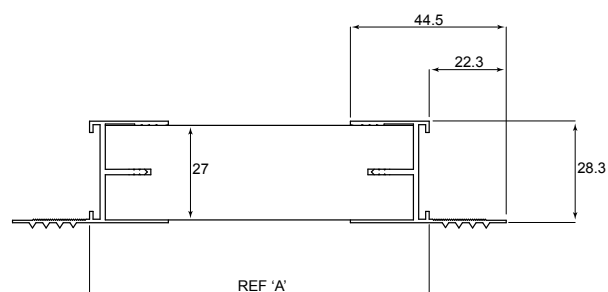
Description

The Manthorpe G240 Profile Cavity Closer suits standard vertical cavity details and sill details. It provides an economical solution to cold bridging problems and is available in a range of sizes to suit varying cavity widths. It can be easily installed with no special fixing requirements or tools.

The Manthorpe G240 Cavity Closer not only provides a thermal break to the cavity but also acts as an effective vertical DPC barrier.

It meets all building regulations and achieves the required U value at the reveal of door and window openings when the frames are fixed to allow a 30mm overlap into the cavity. This overlap can be reduced depending on the surrounding construction for further fitting details on how to calculate this required overlap see BRE Information Paper IP 8/08.

For detailed fitting instructions see product information sheet MBP 8088.



PRODUCT CODE	DIMENSION REFERENCE 'A'	WEIGHT PER PACK
G240/50	50 +0/-2	6.30 kg
G240/65	65 +0/-2	6.60 kg
G240/75	75 +0/-2	6.70 kg
G240/85	85 +0/-2	6.80 kg
G240/90	90 +0/-2	7.05 kg
G240/100	100 +0/-2	7.20 kg

Intermediate sizes up to 350mm can be made to order

References

BRE: DIGEST 262
 BRE: Information Paper IP 8/08
 BSI: BS5250
 DOE: Building Regs L
 NHBC: Good Practice Guide
 NHBC: Standards
 BBA CERT NO: 96/3226

	EXTRUSION	STYROFOAM
COLOUR	WHITE	BLUE
PACKING DETAILS	6 LENGTHS PER PACK	
MATERIAL	UPVC	CFC free extruded polystyrene
MANUFACTURING PROCESS	EXTRUSION	
K VALUE	-	0.035 W/mK
ODP	-	0
GWP	-	LESS THAN 5
CFC	-	FREE

MANTHORPE BUILDING PRODUCTS LTD
 MANTHORPE HOUSE
 BRITAIN DRIVE
 CODNOR GATE BUSINESS PARK
 RIPLEY
 DERBYSHIRE DE5 3ND

TEL: 01773 514 200
 FAX: 01773 514 262
 EMAIL: sales@manthorpe.co.uk
 WEB www.manthorpe.co.uk

DRN M.R Date 21.10.08

The company maintains a policy of continuous development of its product range and reserves the right to amend the specification without notice.

DRG No

MBP 8085

Issue

B