

neue

NDIH 1L949-80

Slim Size Dishwasher



9 Place Settings

KEY FEATURES

EXPRESS FUNCTION

Saves up to 25% of both time and energy consumption, by reducing the temperature and drying time of the final rinse.

HEIGHT ADJUSTABLE TOP BASKET

TRIPLE SELF CLEANING FILTERS

PROGRAMMES & FUNCTIONS

Wash Programmes 5

Delay Timer 3/6/9 hours

Child Lock Yes

Cutlery Basket Yes

TECHNICAL DETAILS

Energy Input Electricity / 10 Amp

Connectivity No

Type of Control Soft Buttons

Energy Class F

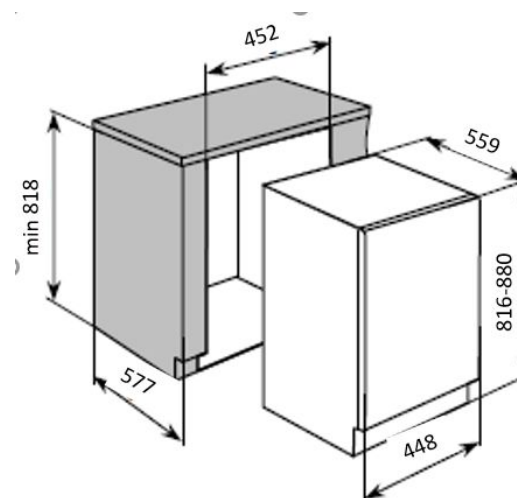
Noise C (49dB)

Motor Induction

DIMENSIONS

Dimensions of the product: 816 x 448 x 559 (mm)

Required niche size for installation: 818 x 452 x 577 (mm)



AESTHETIC

Door: White

Bezel: Black LED

FREE 2 YEARS PARTS GUARANTEE AND 2 YEARS LABOUR