

POS.	N	DOK ID	NTEXT	INFO
1	1	bau0025946194	Wellkarton UT	MA1
2	1	bau0023534630	Fachboden	
3	1	bau0006990981	Front	
4	1	bau0006149897	Rückwand	MA2
5	1	bau0025935666	Welleinlage	
6	1	bau0006452153	Zarge LI	
7	1	bau0051879785	Führung LI	MA3
8	1	bau0051786537	Führung RE	
9	1	bau0050562754	Zarge RE	MA4
10	1	bau0006868752	Sack	
11	1	bau0006606648	Montageanleitung	
12	1	bau0025944099	Wellkarton OT	
13	2	bau0025787379	Umreifungsband	
14	2	bau0020959971	Etikett	

Page : 1/2=DE, 2/2=PL

Zng.Nr.alt:

Name: 378M45B0S48T-IS 500TP-01
378M45B0S48T-IS 500TP-01

Doc. Id.: BAU0128442401 Idx.: 00
Person: Schneider Selma

Page 1/2

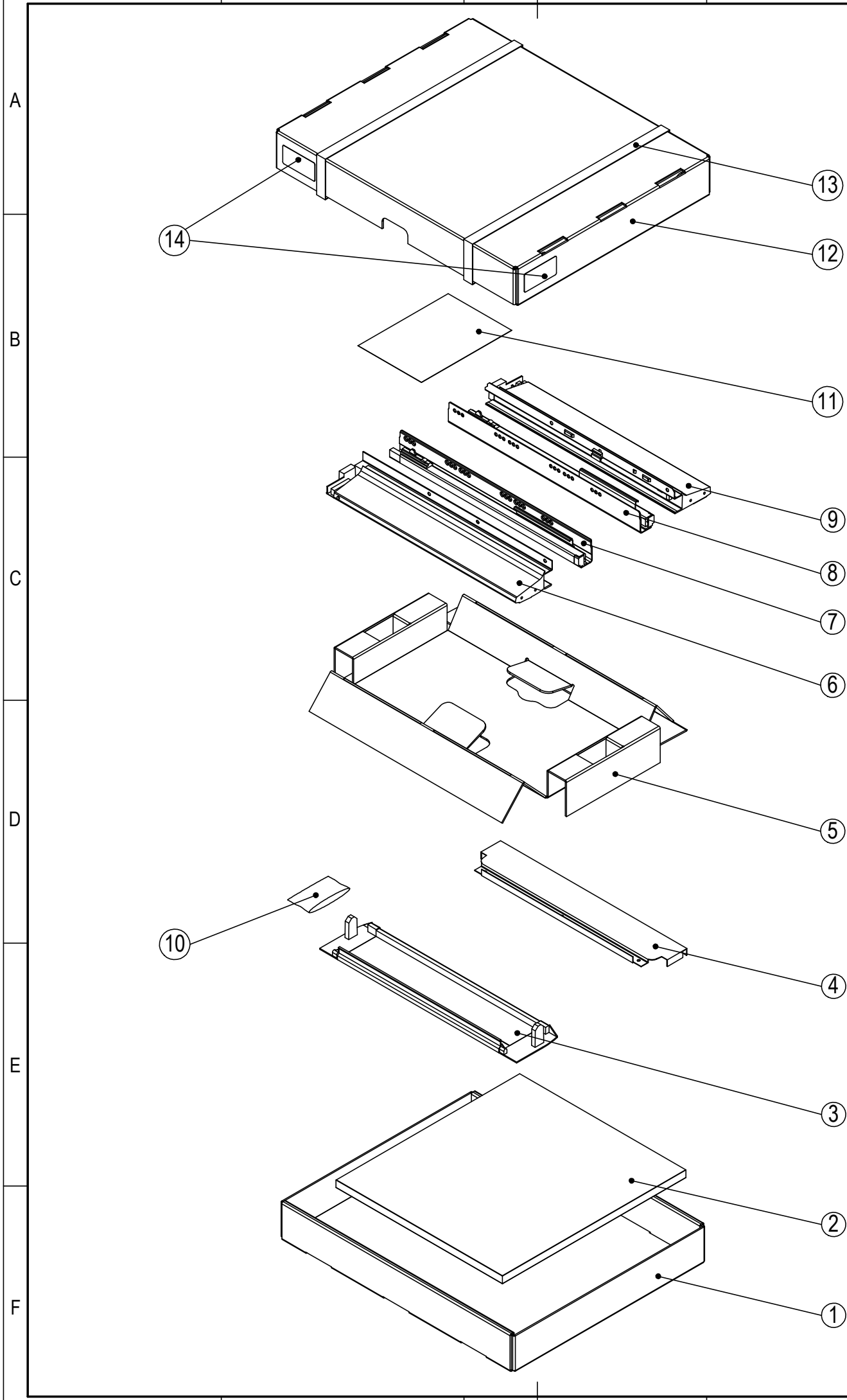
General Tolerance

The copying, distribution and utilization of this document as well as the communication of its contents to others without expressed authorization is prohibited. Offenders will be held liable for the payment of damages. All rights reserved in the event of the grant of a patent, utility model or ornamental design registration.

Julius Blum GmbH
Furniture Fittings Mfg.
A-6973 Höchst Austria
Phone +43/5578/705-0
Fax +43/5578/705-44
E-Mail: info@blum.com
http://www.blum.com



Scale
1:8



POS.	N	DOK ID	NTEXT	INFO
1	1	bau0025946194	Dolną część kartonu	Osoba 1
2	1	bau0023534630	Płyta	
3	1	bau0006990981	Front	
4	1	bau0006149897	Ścianka tylnia	Osoba 2
5	1	bau0025935666	Przekładka tekturową	
6	1	bau0006452153	Lewy bok	
7	1	bau0051879785	Lewą prowadnicę	Osoba 3
8	1	bau0051786537	Prawą prowadnicę	
9	1	bau0050562754	Prawy bok	
10	1	bau0006868752	Worek	Osoba 4
11	1	bau0006606648	Instrukcja montażu	
12	1	bau0025944099	Górną część kartonu	
13	2	bau0025787379	Taśma bandująca	
14	2	bau0020959971	Etykieta	

Page : 1/2=DE, 2/2=PL Zng.Nr.alt:

Name: **378M45B0S48T-IS 500TP-01**
378M45B0S48T-IS 500TP-01 Doc. Id.: **BAU0128442401** Idx.: 00

Person: Schneider Selma

Page 2/2	General Tolerance	The copying, distribution and utilization of this document as well as the communication of its contents to others without expressed authorization is prohibited. Offenders will be held liable for the payment of damages. All rights reserved in the event of the grant of a patent, utility model or ornamental design registration.	Julius Blum GmbH Furniture Fittings Mfg. A-6973 Höchst Austria Phone +43/5578/705-0 Fax +43/5578/705-44 E-Mail: info@blum.com http://www.blum.com
Scale			
1:8			