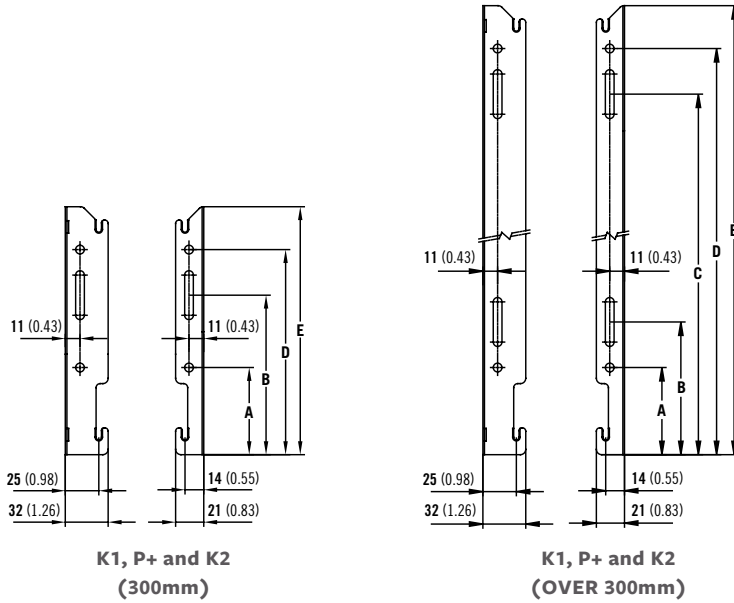


# SOFTLINE COMPACT

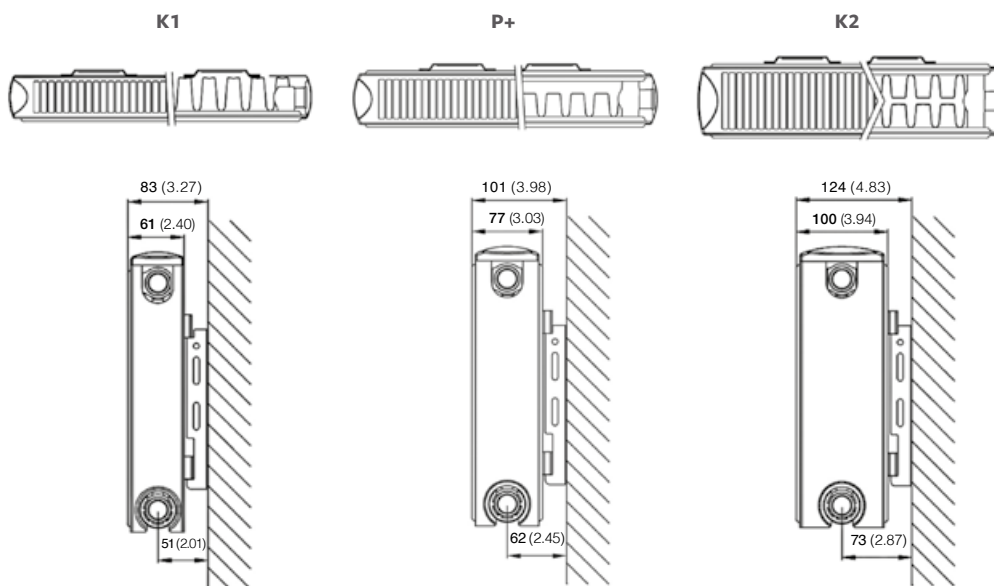
Softline Series

## MOUNTING BRACKETS

All dimensions in mm. Inches in brackets.



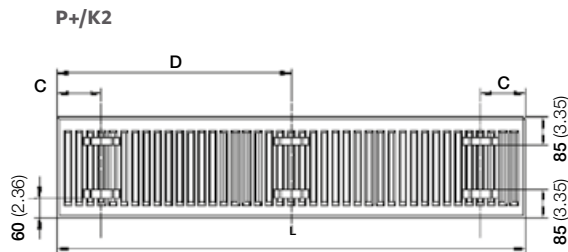
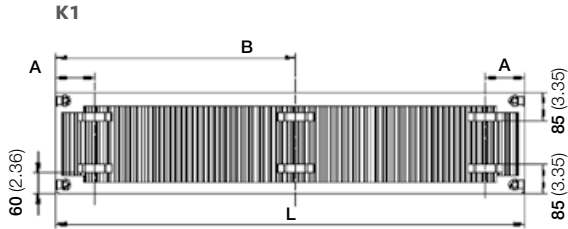
Dimensions	mm	inches	mm	inches	mm	inches	mm	inches
Height	300	11.81	450	17.72	600	23.62	700	27.56
A	65	2.56	65	2.56	65	2.56	65	2.56
B	119	4.69	99	3.90	99	3.90	99	3.90
C	-	-	269	10.59	419	16.50	519	20.43
D	153	6.02	303	11.93	453	17.83	553	21.77
E	185	7.28	335	13.19	485	19.09	585	23.03



# SOFTLINE COMPACT

## Softline Series

**K1, P+ & K2 LUG POSITIONS** (New as of June 2016).  
All dimensions in mm. Inches in brackets.

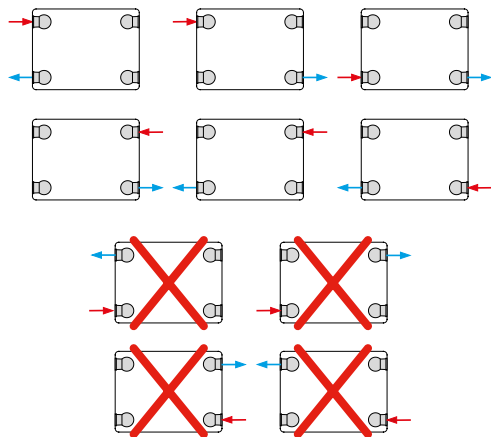


L	K1				P+/K2			
	A		B		C		D	
	mm	in	mm	in	mm	in	mm	in
400	117	4.60	-	-	133	5.24	-	-
500 - 1100	150	5.90	-	-	133	5.24	-	-
1200 - 1600	150	5.90	-	-	133	5.24	-	-
1800 - 2000	150	5.90	(L/2) + 17		133	5.24	L/2	

### CONNECTIONS

Each radiator comes with 1/2" inlet connections as standard.

### PIPING OPTIONS



# SOFTLINE COMPACT

Softline Series

## EN 442 CERTIFICATION DATA - CETIAT TESTED IN ACCORDANCE WITH BS EN 442

Type	K1				P+		K2			
	300	450	600	700	450	600	300	450	600	700
Height	300	450	600	700	450	600	300	450	600	700
W/m at 75/65/20	509	756	980	1117	1055	1345	982	1371	1732	1961
n-coefficients	1.32	1.31	1.29	1.29	1.34	1.33	1.33	1.33	1.33	1.34
Heated surface area (m <sup>2</sup> /m)	2.09	3.37	4.66	5.51	3.84	5.24	3.51	5.62	7.74	9.15
Weight (kg/m)	9.31	14.51	19.70	22.90	22.04	29.80	16.80	25.90	35.00	40.53
Water contents (l/m)	1.89	2.57	3.25	3.77	5.15	6.60	3.70	5.15	6.60	7.63
Wall to tap centre (mm)	51	51	51	51	62	62	73	73	73	73

## PRESSURE DROPS

