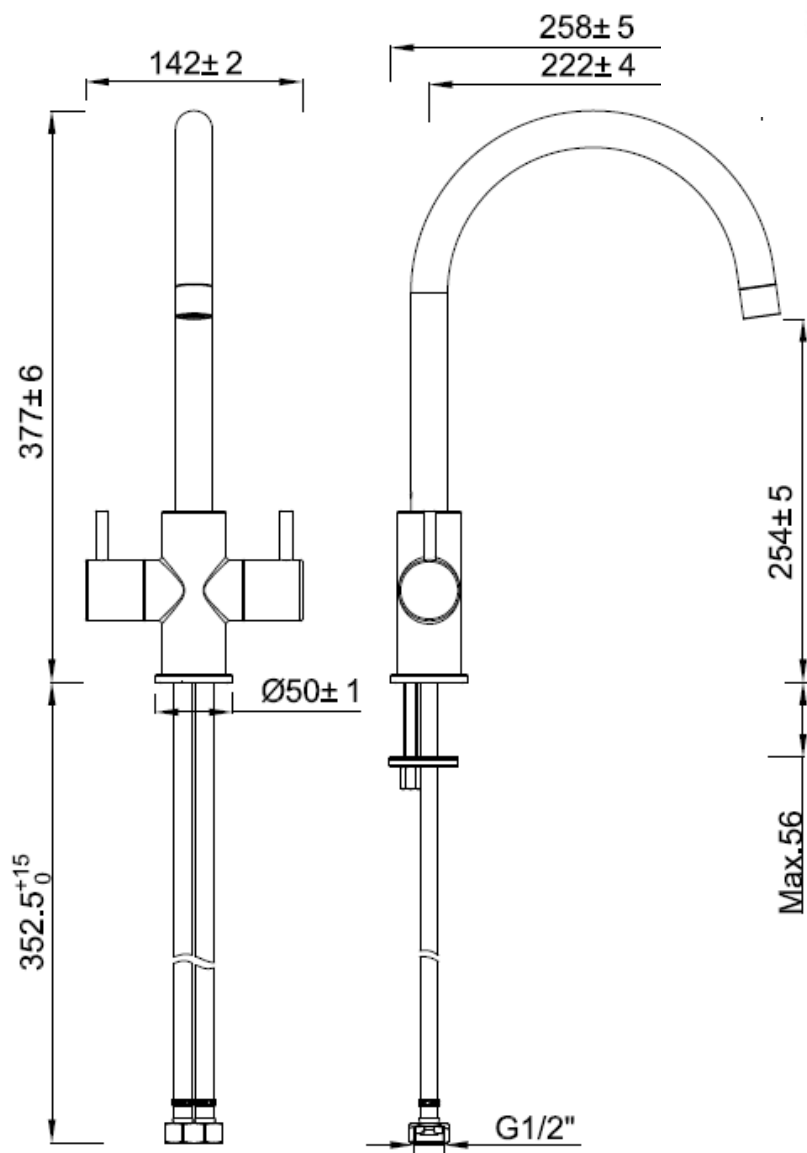


Contemporary Monobloc Sink Mixer Brushed

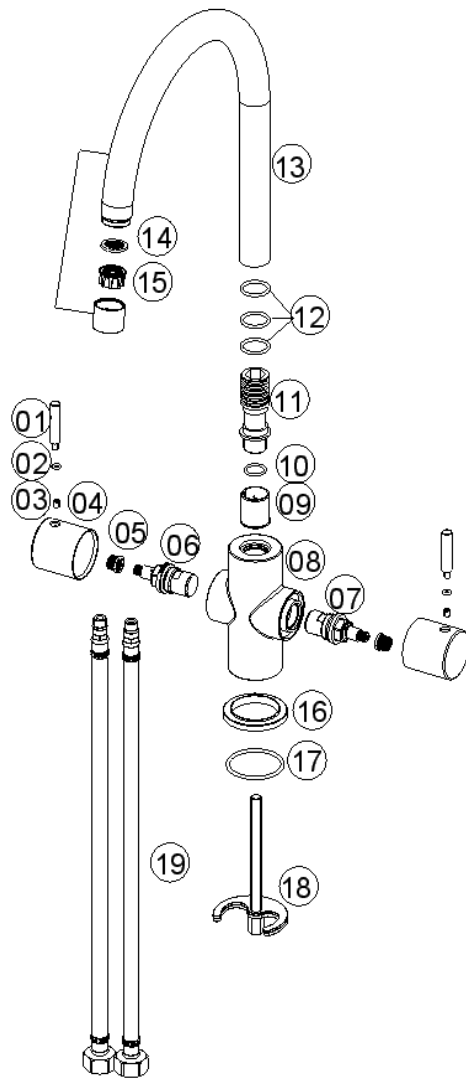
Useful Information	
Minimum operating pressure	0.2 bar
Maximum operating pressure	5 bar
Guarantee length	5 years



Technical Diagram



Exploded Diagram



Item Number	Supplier Ref	Description	Quantity	Material	Spares Available
1	907016-H-G-BN1	Handle Lever	2	BRASS	Yes
2	OR052	O Ring	2	EPDM	Yes
3	SC5-5SN	Screw	2	Stainless Steel	Yes
4	907016-H-Z-BN1	Handle Seat	2	ZINC	Yes
5	SA03	Spline Adaptor	2	POM	Yes
6	VS01-C20	1/2" CD Valve	1	BRASS+EPDM+ Ceramic Disc	Yes
7	VS01-C20	1/2" CD Valve	1	BRASS+EPDM+ Ceramic Disc	Yes
8	177007-01-BN1	Tap Body	1	BRASS	No
9	177005-N2	Block Ring	1	POM	Yes
10	OR109	O Ring	1	EPDM	No
11	177005-N1	Adaptor	1	Q-DWX10	No
12	OR101	O ring	3	EPDM	Yes
13	177005-02-BN1	Spout	1	Stainless Steel	No

14	A14-01X	Washer	1	EPDM+Stainless Steel	Yes
15	A13-02	Flow straightener	1	POM	Yes
16	907016-N-BN1	Flange	1	ZINC	Yes
17	OR111	O ring	1	EPDM	Yes
18	N9505	Fixing kit	1	Steel+NBR+Brass	Yes
19	BZG10-1/2"-400	Braided Connectors	1	Stainless Steel+BRASS+EPDM	Yes

Flow Rates

Pressure (bar)	Flow rate matrix		
	Hot	Cold	Mixer
	With aerator		
0.1	2.92	2.94	5.34
0.2	4.57	4.64	7.87
0.3	5.34	5.70	10.59
0.4	6.61	6.53	11.85
0.5	7.44	7.46	13.57
1.0	10.92	10.42	19.45
1.5	13.65	13.24	24.56
2.0	15.76	15.35	27.98
3.0	19.32	19.33	34.42
4.0	22.81	22.00	40.38
5.0	25.26	25.04	45.89

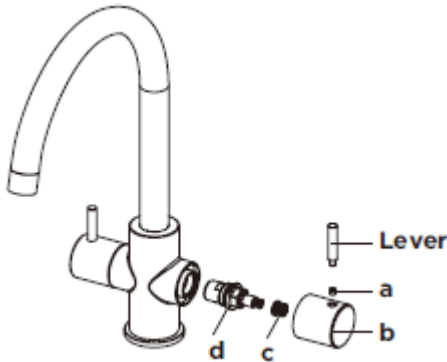
FAQ

What should I do if my tap is dripping/leaking?

Cleaning the valve (if water dripping from tap)

Before carrying out any maintenance, turn off the mains water supply. If unsure contact a qualified tradesman.

1. Remove the cap(e), grub screw(a), handles(b) and spindle(c).
2. Remove the valve(d) using a suitable spanner, clean thoroughly under cold water to remove any build up of limescale or debris.
3. If necessary replace the valve.
4. Replace the valve(d) into the body, tighten the valve using a suitable spanner.
5. Replace the spindle(c) and handles(b), tighten the grub screw(a).
6. Re-fit the lever or cap(e) to handle(b).



What does the Guarantee Cover?

The Guarantee Covering leakage, manufacturing defects and chrome plating.

The guarantee does not cover:

- Damage or defects caused by:
 - general wear and tear (including special non-chrome finishes; components such as filters, seals, 'O'rings and washers)
 - incorrect installation
 - repair using non- PPI parts
 - accidental or wilful misuse
 - corrosion and the use of inappropriate cleaning products.
 - system debris including the build up of limescale (which can be controlled through regular servicing and maintenance).
- Compensation for loss of use of the product or consequential loss of any kind.