

MOTORISED ZONE VALVE

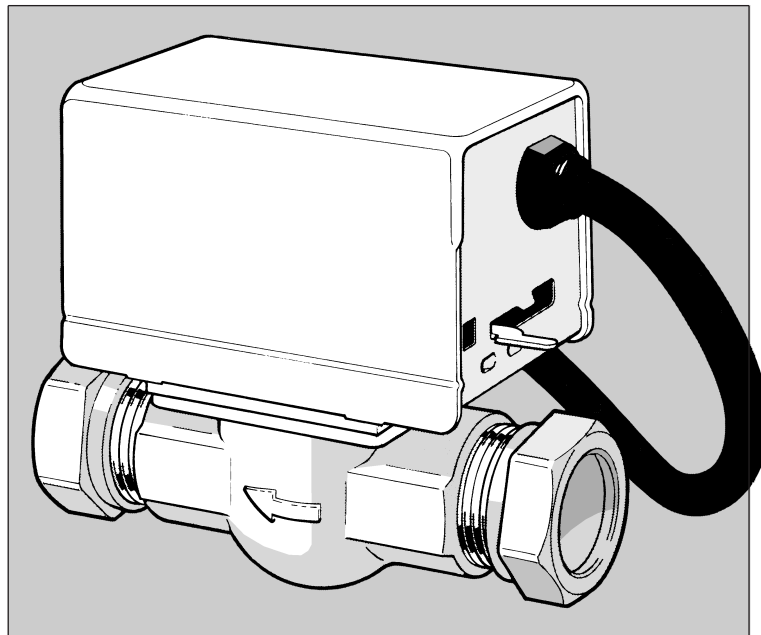
V4043

FEATURES

- Motor open
- Spring return action
- Manual lever for filling & draining the system
- Powerhead replaceable without draining down
- Potential free end switch for electrical control of pump and/or boiler
- Quiet operation, minimal power consumption

OPTIONS

- Normally open & normally closed versions available
- 22mm/28mm or $\frac{1}{2}$ " , $\frac{3}{4}$ " , 1" BSP connections
- Replacement motor
- Replacement powerhead
- Replacement ball and 'O' ring kit



APPLICATION

The V4043 series of two port Motorised Valves has a wide range of flow control applications in domestic and light commercial central heating systems.

The V4043H normally closed models have end switches for electrical control of pump and/or boiler. The V4043B normally open model is particularly applicable to control of solid fuel systems, since it will always fail-safe in the event of a power failure.

Installation

The **V4043** Zone Valve must be positioned where it cannot block any vent or cold feed when closed. It may be plumbed in at any angle but must not be mounted so that the powerhead is below the horizontal level of the pipework.

If fitted in a confined space, sufficient ventilation must be available to keep the valve within its ambient temperature range and access must be provided to remove the powerhead if necessary.

Ordering Specification

V4043B1257

Normally open, 22mm compression. No end switch. No manual lever. 6.9 KV. Maximum close-off differential pressure 0.55 bar

V4043B1265

As above, but 28mm comp. 8.6 KV. 0.45 bar max. diff. pressure

V4043C1156

Normally closed, 1/2" BSP female. No end switch. 3.0 KV. 1.38 bar max. diff

V4043H1056

Normally closed, 22mm compression. SPST end switch. 6.9 KV. 0.55 bar max differential pressure

V4043H1007

As above but 3/4" BSP connections

V4043H1106

Normally closed, 28mm compression. SPDT end switch. 8.6 KV. 0.45 bar max differential pressure

V4043H1080

As above but 1" BSP connections

40001011-002

24VAC motor kit (low voltage applications)

40002737-003

240VAC replacement motor

40003916-001

Replacement powerhead

40003918-006

Plate & ball assembly kit – use with valves that do not have replaceable heads (Pre 1987)

272752A/U CARD

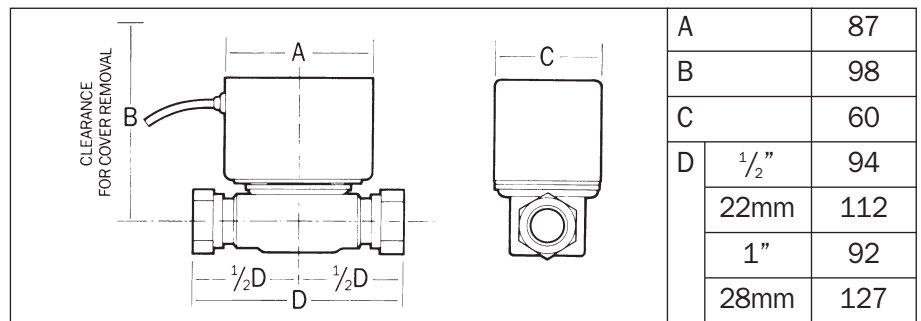
Replacement Ball & 'O' ring kit

Specification

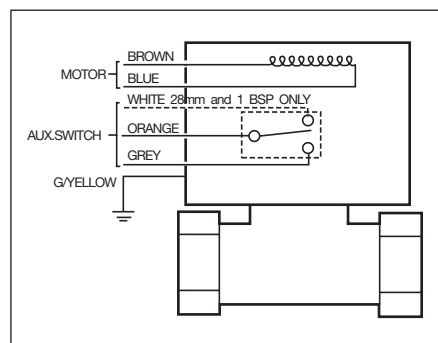
Power Supply	: 230VAC 50Hz
Switch Rating	: 2.2 Amps
Electrical Connections	: 1m flying lead, heat resistant cable
Switch Type	: See specifications
Ambient Temperature Range	: 5 to 50°C
Flow Temperature	: 5 to 88°C
Static Pressure	: 8.6 bar max
Flow Directions	: As per arrow on valve body
Standards	: CE, UL, CSA
Approvals	: 89/336/EEC & 73/23/EEC

Note: Continuous operation of the valve motor at the fully open position is not recommended.

Dimensions (mm)



Wiring



Flow Characteristics

