

TECHNICAL DATA SHEET

Product Code:

189009

Compatible with 522571 & 951542

Description:

The Gap WC Cistern (4/2L) (Dual Flush) (with Bottom Inlet)

Specification:

Size: L 365mm, W 140mm, H 405mm

Material: Vitreous China

Finish: White

Installation Type: Back-to-Wall / Fixing Screws

Clean regularly with warm soapy water (to stop the build-up of dirt and limescale), rinse with cold water, dry and polish with a soft dry cloth. A cream or liquid cleaner can be used.

Occasional use of mild bathrooms limescale removers is acceptable if used in accordance with the manufacturer's instructions, rinsing off immediately with cold water.

Use of bleach in the toilet bowl is acceptable.

A ceramic rubber can be used to remove and metal marks or minor blemishes.

In hard water areas we strongly recommend that inhibitors or water softeners are fitted to the system during installation. Do ensure that in hard water areas periodic checks are made to the diaphragm washer, located on the bottom of the flush valve.

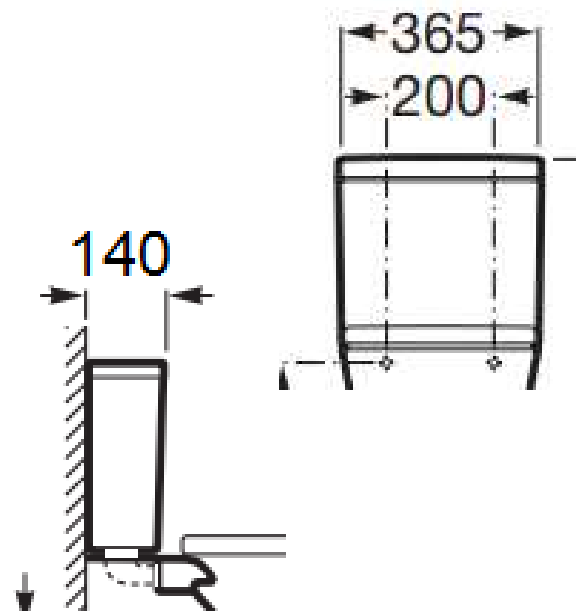
Do not put bleach products in the actual cistern as this can damage the internal fittings and will invalidate the warranty on the internal parts.

Do not put strong cleaners or bleach in the products to stand overnight. Do not mix different cleaners in the WC as they can cause a chemical reaction and give off poisonous gas.

Product Image:



Technical Drawing:



'The information contained within this specification sheet is believed to be correct and complete at the time of creation. All photographs / drawings are as a guide only and do not necessarily represent the products available. Travis Perkins PLC reserves the right to change product details and price without prior notice. E&OE.'