

B57CR22NOB  
OVEN  
STAINLESS STEEL



A+



Built-in oven with SLIDE&HIDE® - unrestricted access to the oven interior

- ✓ Slide&Hide® - the fully retracting oven door
- ✓ CircoTherm® - Neff's outstanding hot-air system for simultaneous baking and roasting on up to 3 levels
- ✓ The duo for perfect cleaning: Pyrolysis after heavy use - the oven interior cleans itself.
- ✓ EasyClean® - the environment-saving option for fast oven cleaning.
- ✓ ShiftControl - fast navigation through menus and simple operation with the TFT display.

Features

Technical Data

Color / Material Front : Stainless steel  
 Construction type : Built-in  
 Integrated Cleaning system : Hydrolytic, Pyrolytic  
 Required niche size for installation (HxWxD) : 585 x 560 x 550  
 Dimensions of the product (mm) : 595 x 596 x 548  
 Control Panel Material : Stainless steel  
 Door Material : Glass  
 Net weight (kg) : 40.0  
 Usable volume of cavity (l) : 71  
 Cooking method : , Bottom heat, Bread Baking Setting, Conventional heat, Dough proving setting, Full width grill, Half width grill, Hot Air, Hot Air-Eco, Hot air grilling, low temperature cooking, Pizza setting  
 First cavity material : Enamelled  
 Temperature control : electronic  
 Number of interior lights : 1  
 Approval certificates : CE, VDE  
 Length of electrical supply cord (cm) : 120  
 Interior Lights - cavity 1 : 1  
 Pull-out system : Accessory  
 Clock function : Alarm, Off, On  
 Included accessories : 2 x combination grid, 1 x universal pan  
 Broil Element Wattages cavity 1 (W) : 2800  
 Convection Element Wattages cavity 1 (W) : 2300  
 Energy consumption conventional (kWh) - cavity 1 : 0.87  
 Energy consumption forced air convection (kWh) - cavity 1 : 0.69  
 Electrical connection rating (W) : 3450  
 Current (A) : 16  
 Voltage (V) : 220-240  
 Frequency (Hz) : 50; 60  
 Plug type : no plug  
 Color / Material Front : Stainless steel  
 Energy input : Electric  
 Approval certificates : CE, VDE  
 Required cutout/niche size for installation (in) : x x  
 Dimensions of the packed product (in) : 26.57 x 25.98 x 27.16  
 Net weight (lbs) : 88  
 Gross weight (lbs) : 93  
 Length of electrical supply cord (cm) : 120  
 Required niche size for installation (HxWxD) : 585 x 560 x 550  
 Dimensions of the product (mm) : 595 x 596 x 548  
 Net weight (kg) : 40.0  
 Gross weight (kg) : 42.0

Included accessories



B57CR22NOB  
OVEN  
STAINLESS STEEL

## Features

### Special features

- 2.5" TFT colour display
- CircoTherm® Eco
- Interior halogen light
- Slide&Hide door, SoftOpen
- Temperature proposal  
Actual temperature display  
Heating up indicator  
Sabbath setting

### Features

- Oven with 12 heating methods: CircoTherm®, CircoTherm® Eco, Top/bottom heat, Conventional heat eco, Hot air grilling, Full surface grill, Centre surface grill, CircoTherm® intensive, Bread baking, Bottom heat, Low temperature cooking, Dough proving
- Permanent control panel lock  
Automatic safety switch off  
Residual heat indicator  
Start button  
Door contact switch
- Silver display EasyClock
- Full glass inner door
- Quadruple glazed door
- Pull out system: Available as an accessory
- Additional functions:  
Full steam cooking function (Neff system steamer accessory required)
- Rapid heat
- Cooling fan
- Stainless-steel fan
- Info button

### Design

- TFT display
- Illuminated ShiftControl
- Revolution handle
- Cavity inner surface: Enamel anthracite

### Oven cleaning

- Pyrolytic cleaning
- EasyClean

### Standard accessories

- Pull out system: Available as an accessory
- 2 x combination grid, 1 x universal pan

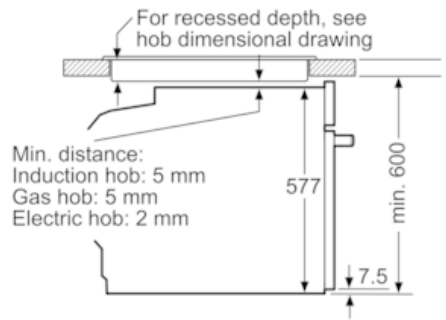
### Performance/technical information

- Cavity volume: 71 litre
- Temperature range 40 °C - 275 °C
- Length of mains cable: 120 cm
- Total connected load electric: 3.45 KW
- Appliance dimension (hxwxh): 595 mm x 596 mm x 548 mm
- Niche dimension (hxwxh): 585 mm - 595 mm x 560 mm - 568 mm x 550 mm
- Please reference the built-in dimensions provided in the installation drawing
- Energy efficiency rating (acc. EU Nr. 65/2014):  
Energy consumption per cycle in conventional mode: 81.2  
Energy consumption per cycle in fan-forced convection mode: 0.69 kWh  
Number of cavities: 1  
Heat source: electrical  
Cavity volume: 71 litre

B57CR22NOB  
 OVEN  
 STAINLESS STEEL

Dimensioned drawings

Installation with a hob.



measurements in mm

If the appliance will be installed underneath a hob, the following worktop thicknesses (including substructure if necessary) must be taken into account.

| Hob type                   | min. worktop thickness |       |
|----------------------------|------------------------|-------|
|                            | fitted                 | flush |
| Induction hob              | 37 mm                  | 38 mm |
| Full surface induction hob | 47 mm                  | 48 mm |
| Gas hob                    | 30 mm                  | 34 mm |
| Electric hob               | 27 mm                  | 30 mm |

